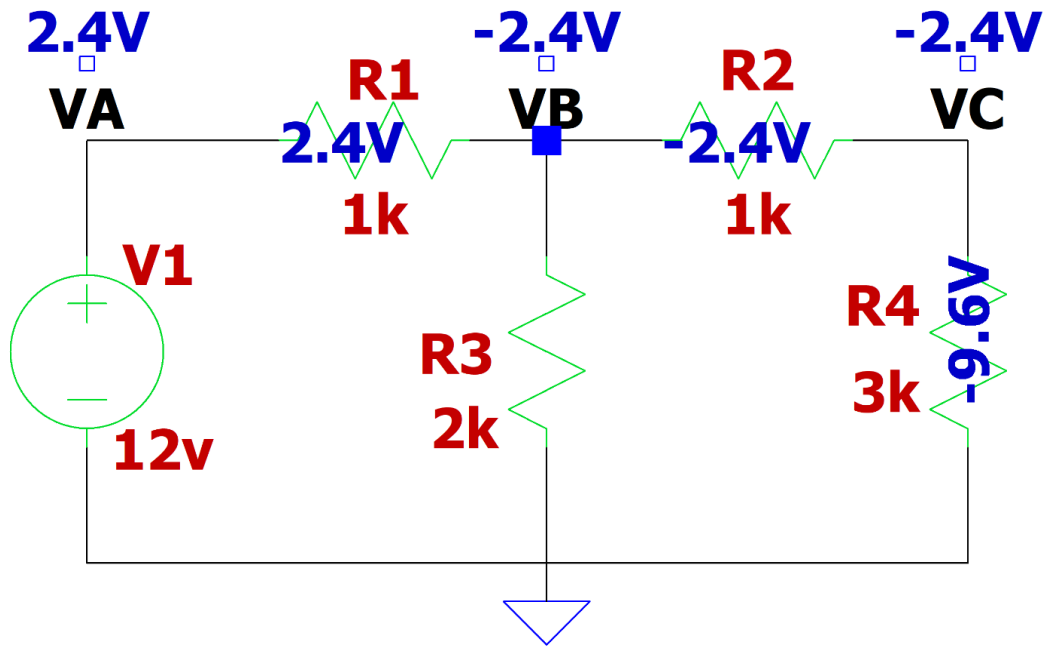


Frank Martino - Proof of Skills Day 2

Q1 Circuit Simulation

Prove your skill set using LTSpice (preferred Circuits simulation program) or equivalent simulation program (i.e. PSpice or MultiSim..)

Q1.2 I can label and identify Nodal Voltages in a circuit, creating a well labeled schematic.



.op

I was able to identify nodal voltages, VA, VB, and VC, with the blue labels in the image and round them to the nearest decimal place by going in to the Display Data setting and typing $\text{round}(V(\#)*10)/10$ into the edit expression box. I also was able to label the voltage and resistors which I kept R and its number as well as the voltage labeled as V1.

This signifies that you can input any voltage node