

Distributed by:



www.Jameco.com ♦ 1-800-831-4242

The content and copyrights of the attached material are the property of its owner.



LT189X-82-0125

5.0MM ROUND PHOTOTRANSISTOR LAMP

Feature

- * HIGH ILLUMINATION SENSITIVITY
- * STABLE CHARACTERISTICS
- * SPECTRALLY AND MECHANICALLY MATCHED WITH IR EMITTER
- * NPN SILICON PHOTOTRANSISTOR

PRELIMINARY

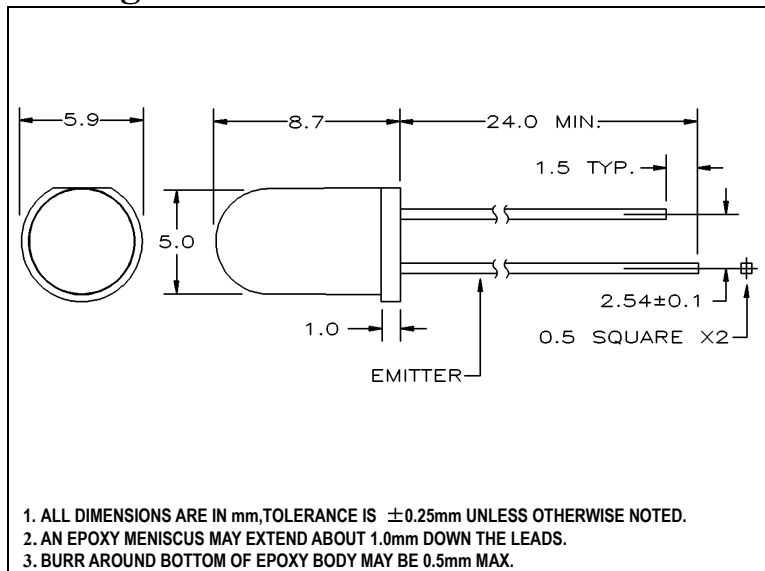
Absolute Maximum Ratings at $T_A=25^\circ\text{C}$

OPERATING TEMPERATURE RANGE.....	-25°C TO +85°C
STORAGE TEMPERATURE RANGE.....	-25°C TO +100°C
LEAD SOLDERING TEMP. (1.6mm FROM BODY).....	260°C FOR 5 SEC.

Electrical/optical characteristics at $T_A=25^\circ\text{C}$

PART NUMBER	LENS COLOR	COLLECTOR-EMITTER BREAKDOWN VOLTAGE (V) $I_{CE0}=100\ \mu\text{A}$ $E_e=0$	EMITTER-COLLECTOR BREAKDOWN VOLTAGE (V) $I_{EC0}=100\ \mu\text{A}$ $E_e=0$	COLLECTOR-EMITTER SATURATION VOLTAGE (V) $I_C=0.5\text{mA}$ $E_e=20\text{mw/cm}^2$	COLLECTOR DARK CURRENT(nA) $V_{CE}=15\text{V}$ $E_e=0$	PHOTO CURRENT(nA) $V_{CE}=5\text{V}$ $E_e=20\text{mw/cm}^2$
LT1893-82-0125	WATER CLEAR	MIN. 30.0	MIN. 5.0	MAX. 1.3	MAX. 100	TYP. 20.0
LT1895-82-0125	BLUE CLEAR	MIN. 30.0	MIN. 5.0	MAX. 1.3	MAX. 100	TYP. 20.0

Package Dimensions



Relative Sensitivity VS. Peak Wavelength

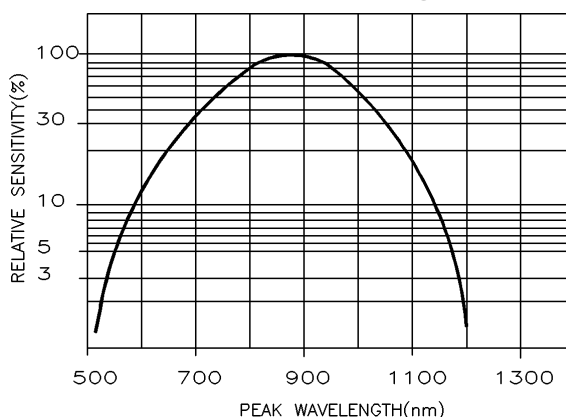
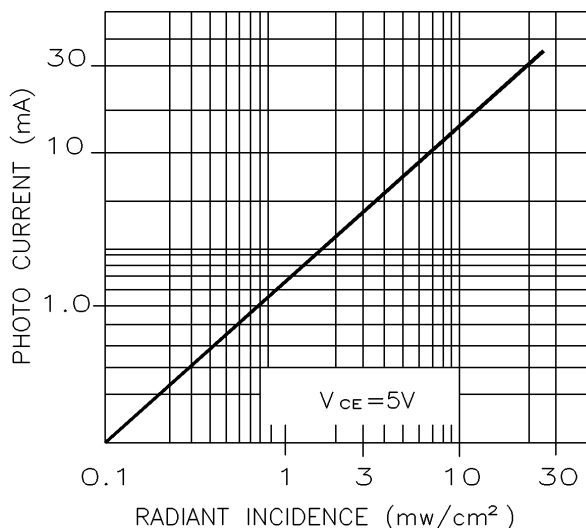


Photo Current VS. Radiant Incidence



Max. Collector Dark Current VS. Ambient Temperature

