

Source and Measure DC voltages

Alice Meter-Source

January 27th, 2022

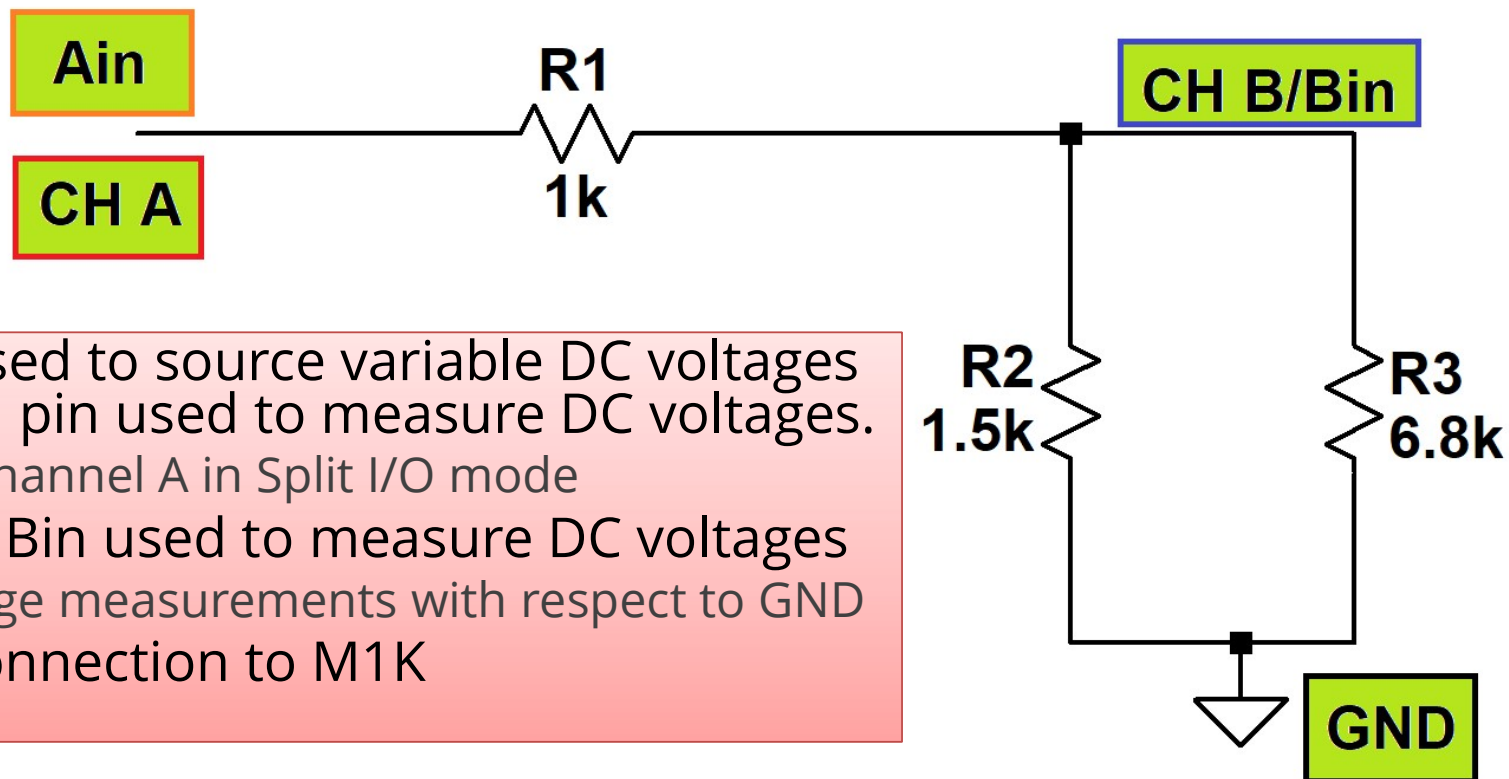
Santiago Paternain

ECSE Department

Rensselaer Polytechnic Institute

Intro to ECSE

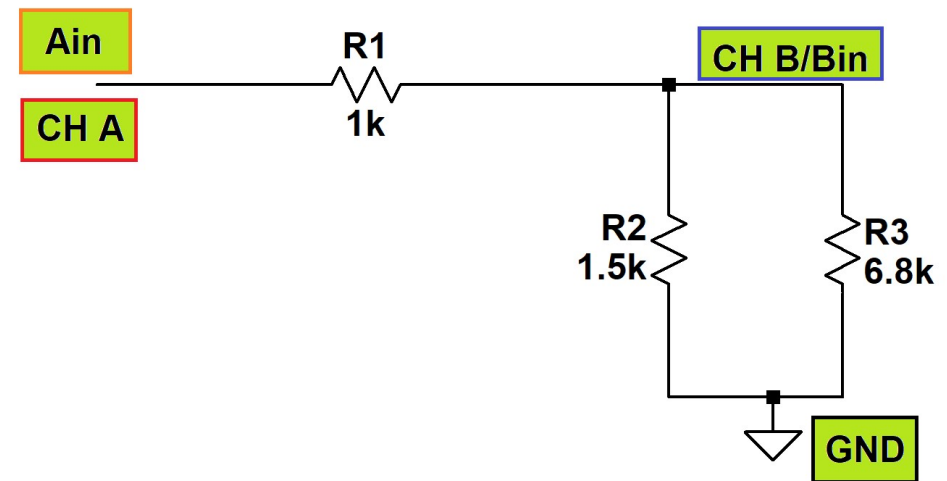
Build Circuit on Protoboard



- CH A used to source variable DC voltages and Ain pin used to measure DC voltages.
 - Put channel A in Split I/O mode
- CHB or Bin used to measure DC voltages
 - Voltage measurements with respect to GND
- GND connection to M1K

Experimentally determine voltage drop across each element

- Change CH A voltage
- Put CH A in split I/O mode
- Voltage across R1
 - CAV - CBV
- Voltage across R2 and R3
 - CBV - GND = CBV



- Using these voltage measurements we can determine the current through the resistors.