

Measure DC voltages

Resistor LED circuit

Alice voltmeter

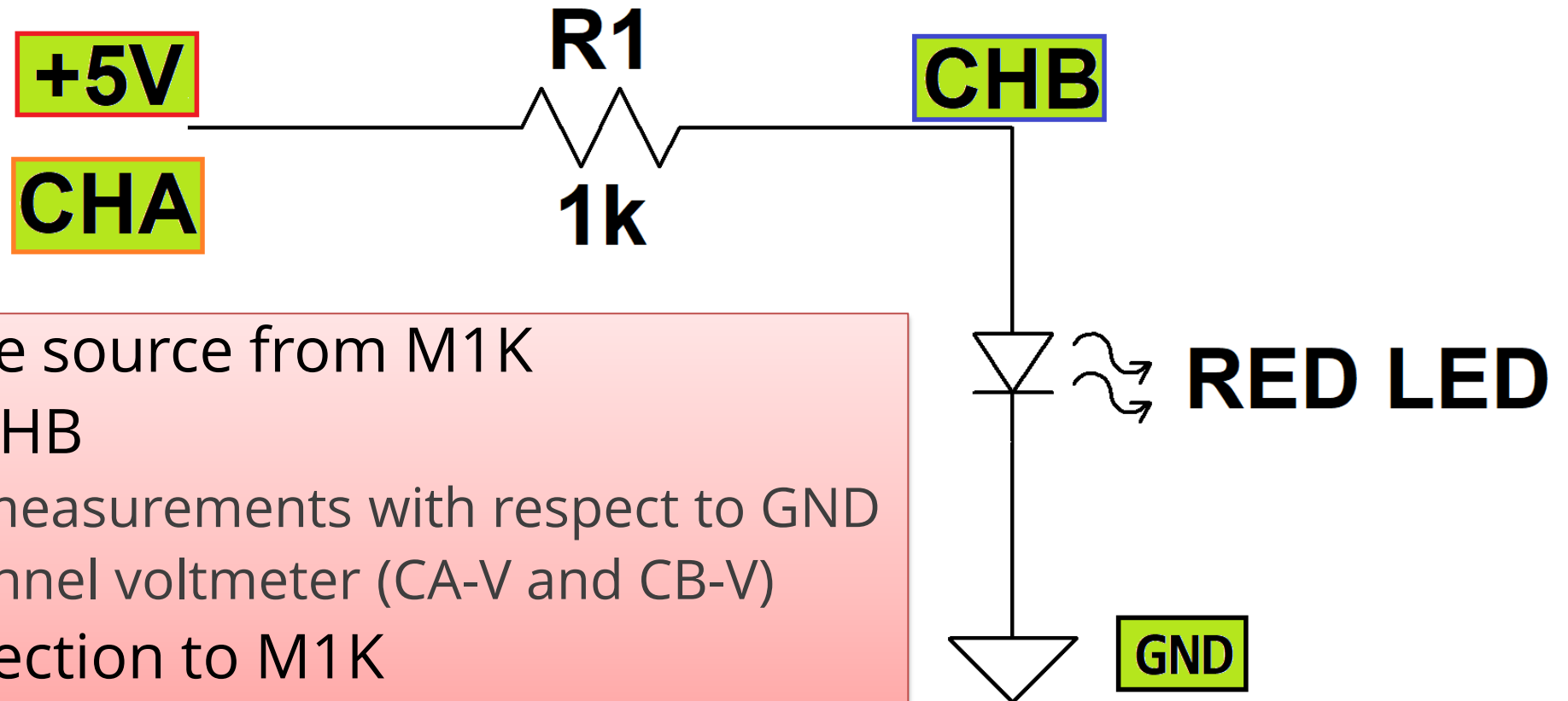
Dr. Mahmood A. Hameed

ECSE Department

Rensselaer Polytechnic Institute

Intro to ECSE

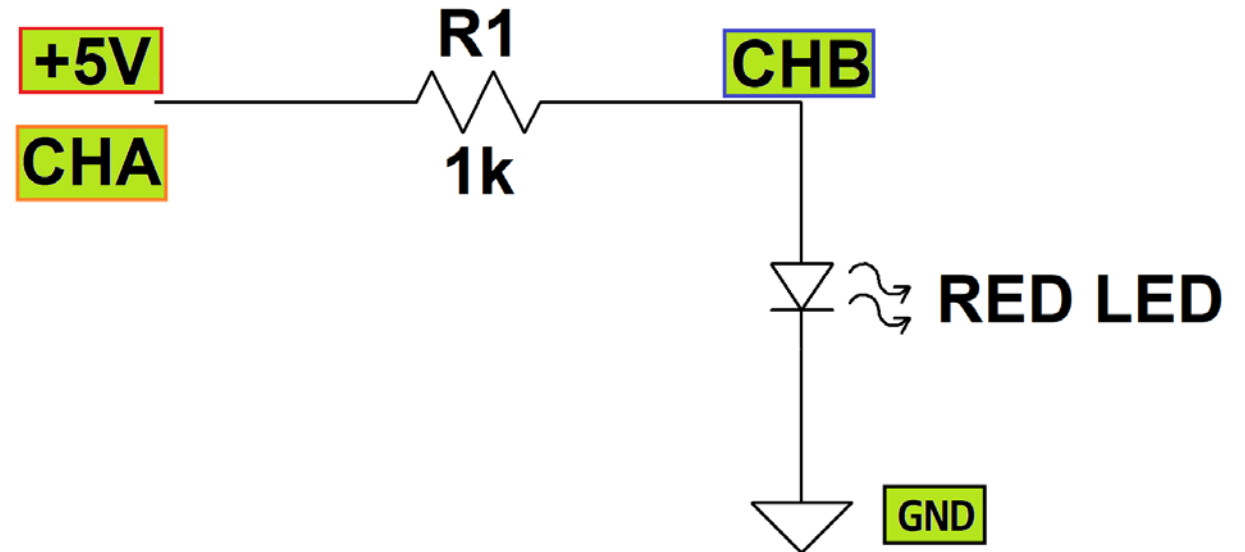
Build Circuit on Protoboard



- +5V voltage source from M1K
- CHA and CHB
 - Voltage measurements with respect to GND
 - Dual channel voltmeter (CA-V and CB-V)
- GND connection to M1K

Experimentally determine voltage drop across each element

- Voltage across R1
 - CAV – CBV
- Voltage across LED
 - CBV – GND = CBV



- Using these voltage measurements we can determine the current through the LED. (same as current through R1)