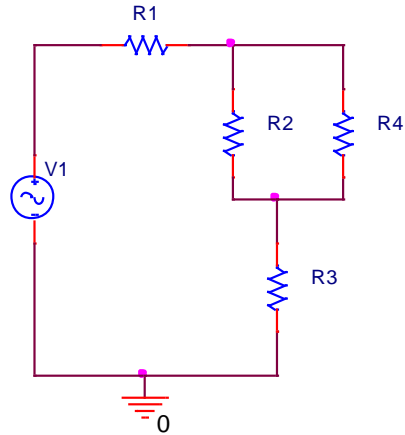
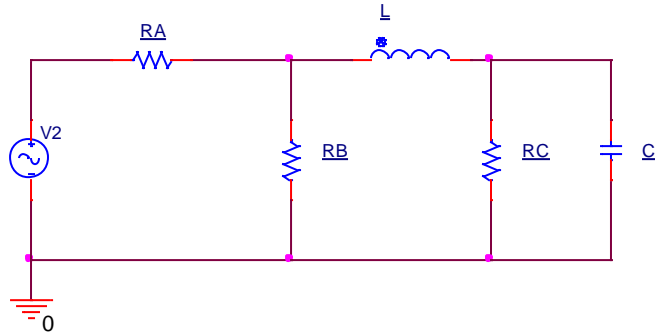


ENGR 2300, Electronic Instrumentation, Quiz 1, Fall 2016, Part A

1. For the circuit shown at the right and given values for V_1 , R_1 , R_2 , R_3 , determine currents, voltages and power.
 - a. Voltage across R_3
 - b. Current through R_1
 - c. Voltage across R_2
 - d. Power from V_1



2. For the circuits such as the one shown below constructed from resistors, inductors and capacitors, simplify for high frequencies and low frequencies and then obtain answers like the ones shown in the first problem.



3. A basic transformer circuit is shown below. Given values for R_s , R_L , L_s , L_L and V_s determine the output voltage, output power, etc.

