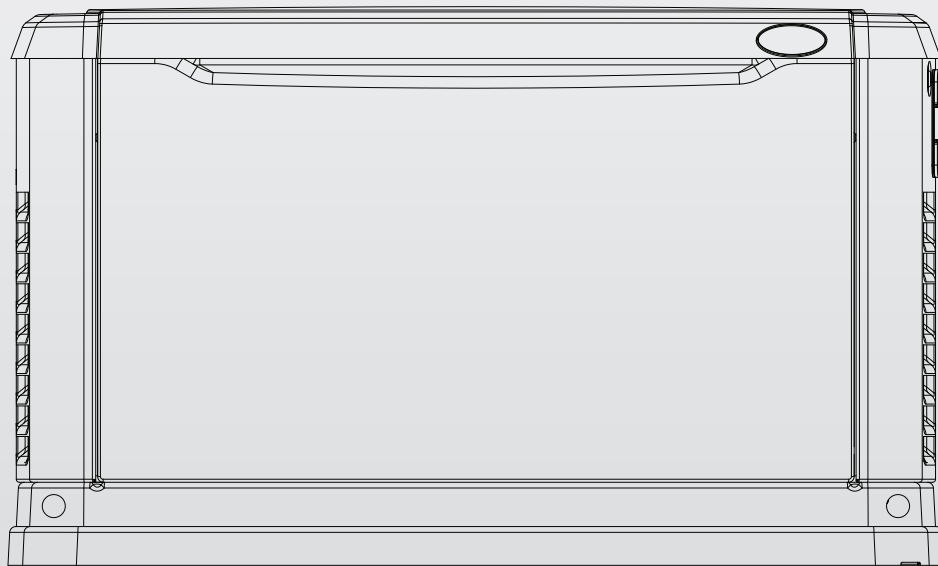


Owner's Manual



**8, 10, 13, 14, 16, 17 & 20kW Air-cooled,
Automatic Standby Generators**

Table of Contents

Introduction	1	Operation	17
Read This Manual Thoroughly	1	3.1 Control Panel Interface	17
Safety Rules.....	1	3.2 Automatic Transfer Operation.....	18
Contents	1	3.3 Sequence of Automatic Operation	18
Operation and Maintenance.....	1	3.4 Manual Transfer Operation	19
How to Obtain Service	1	3.5 Side Compartment	20
Standards Index.....	3	3.6 Protection Systems	21
General Information	4	Maintenance	22
1.1 Unpacking/Inspection	4	4.1 Fuse.....	22
1.2 Protection Systems	4	4.2 Checking the Engine Oil Level	22
1.3 NEC Requirement for Arc Fault Circuit		4.3 Changing the Engine Oil.....	23
Interruption Breaker for Bedrooms	4	4.4 Changing the Engine Air Cleaner	24
1.4 Emission Information.....	5	4.5 Spark Plug(s)	25
1.5 The Generator	6	4.6 Battery Maintenance.....	25
1.6 Specifications	7	4.7 Adjusting GH-410/GT-530/990/999 Valve Clearance.....	26
1.7 Ready to Run	8	4.8 Cooling System.....	26
1.8 Fuel Requirements and Recommendations.....	8	4.9 Attention After Submersion.....	27
1.9 Fuel Consumption	8	4.10 Corrosion Protection.....	27
1.10 Reconfiguring the Fuel System.....	9	4.11 Out of Service Procedure.....	27
1.11 Location.....	10	4.12 Service Schedule	28
1.12 Battery Requirements	11	Troubleshooting	29
1.13 Battery Installation.....	13	5.1 Troubleshooting Guide.....	29
1.14 The Battery	13	Appendix.....	30
1.15 Battery Charger	14	6.1 Menu System Navigation	30
Post Installation Start-up and		Notes.....	32
Adjustments.....	14	Installation Diagrams	33
2.1 Activate the Generator	14	Warranty.....	36
2.2 Before Initial Startup.....	14		
2.3 Check Transfer Switch Operation	14		
2.4 Electrical Checks.....	16		
2.5 Generator Tests Under Load.....	16		
2.6 Checking Automatic Operation.....	17		
		<hr/>	
		Manual del propietario	41
		Manuel d'entretien.....	79

INTRODUCTION

Thank you for purchasing this compact, high performance, air-cooled, engine-driven generator. It is designed to automatically supply electrical power to operate critical loads during a utility power failure.

This unit is factory installed in an all-weather, metal enclosure and is **intended exclusively for outdoor installation**. This generator will operate using either vapor withdrawn liquid propane (LP) or natural gas (NG).

NOTE:

This generator is suitable for supplying typical residential loads such as Induction Motors (sump pumps, refrigerators, air conditioners, furnaces, etc.), Electronic Components (computer, monitor, TV, etc.), Lighting Loads and Microwaves.

READ THIS MANUAL THOROUGHLY

If any portion of this manual is not understood, contact the nearest Dealer for starting, operating and servicing procedures.

SAFETY RULES

Throughout this publication, and on tags and decals affixed to the generator, DANGER, WARNING, CAUTION and NOTE blocks are used to alert personnel to special instructions about a particular operation that may be hazardous if performed incorrectly or carelessly. Observe them carefully. Their definitions are as follows:

DANGER!

INDICATES A HAZARDOUS SITUATION OR ACTION WHICH, IF NOT AVOIDED, WILL RESULT IN DEATH OR SERIOUS INJURY.

WARNING!

Indicates a hazardous situation or action which, if not avoided, could result in death or serious injury.

CAUTION!

Indicates a hazardous situation or action which, if not avoided, could result in minor or moderate injury.

NOTE:

Notes contain additional information important to a procedure and will be found within the regular text body of this manual.

These safety warnings cannot eliminate the hazards that they indicate. Common sense and strict compliance with the special instructions while performing the action or service are essential to preventing accidents.

Four commonly used safety symbols accompany the **DANGER**, **WARNING** and **CAUTION** blocks. The type of information each indicates is as follows:

 This symbol points out important safety information that, if not followed, could endanger personal safety and/or property of others.

 This symbol points out potential explosion hazard.

 This symbol points out potential fire hazard.

 This symbol points out potential electrical shock hazard.

The operator is responsible for proper and safe use of the equipment. The manufacturer strongly recommends that the operator read this *Owner's Manual* and thoroughly understand all instructions before using this equipment. The manufacturer also strongly recommends instructing other users to properly start and operate the unit. This prepares them if they need to operate the equipment in an emergency.

CONTENTS

This manual contains pertinent owner's information for these models:

- 7 kW NG, 8 kW LP, single-cylinder GH-410 Engine
- 9 kW NG, 10 kW LP, V-twin GT-530 Engine
- 13 kW NG, 13 kW LP, V-twin GT-990 Engine
- 13 kW NG, 14 kW LP, V-twin GT-990 Engine
- 16 kW NG, 16 kW LP, V-twin GT-990 Engine
- 16 kW NG, 17 kW LP, V-twin GT-990 Engine
- 18 kW NG, 20 kW LP, V-twin GT-999 Engine

OPERATION AND MAINTENANCE

It is the operator's responsibility to perform all safety checks, to make sure that all maintenance for safe operation is performed promptly, and to have the equipment checked periodically by a Dealer. Normal maintenance service and replacement of parts are the responsibility of the owner/operator and, as such, are not considered defects in materials or workmanship within the terms of the warranty. Individual operating habits and usage contribute to the need for maintenance service.

Proper maintenance and care of the generator ensures a minimum number of problems and keep operating expenses at a minimum. See a Dealer for service aids and accessories.

HOW TO OBTAIN SERVICE

When the generator requires servicing or repairs, contact a Dealer for assistance. Service technicians are factory-trained and are capable of handling all service needs.

When contacting a Dealer about parts and service, always supply the complete model number and serial number of the unit as given on its data decal, which is located on the generator. See section "The Generator" for decal location.

Model No. _____ Serial No. _____

Data Label Sample

MODEL	<input type="text"/>
SERIAL	<input type="text"/>
VOLTS	<input type="text"/>
AMPS	<input type="text"/>
1 PH, 60 Hz, RPM 3600	
RAINPROOF ENCLOSURE FITTED	
CLASS H INSULATION	
RATED AMBIENT TEMP - 25°C	
FOR STANDBY SERVICE	
NEUTRAL FLOATING	
MAX LOAD UNBALANCE-50%	
WHITEWATER, WIS	
MADE IN U.S.A.	

Safety Rules

! SAVE THESE INSTRUCTIONS – The manufacturer suggests that these rules for safe operation be copied and posted near the unit's installation site. Safety should be stressed to all operators and potential operators of this equipment.

Study these SAFETY RULES carefully before installing, operating or servicing this equipment. Become familiar with this *Owner's Manual* and with the unit. The generator can operate safely, efficiently and reliably only if it is properly installed, operated and maintained. Many accidents are caused by failing to follow simple and fundamental rules or precautions.

The manufacturer cannot anticipate every possible circumstance that might involve a hazard. The warnings in this manual, and on tags and decals affixed to the unit are, therefore, not all-inclusive. If using a procedure, work method or operating technique the manufacturer does not specifically recommend, ensure that it is safe for others. Also make sure the procedure, work method or operating technique utilized does not render the generator unsafe.

! DANGER!

! Despite the safe design of this generator, operating this equipment imprudently, neglecting its maintenance or being careless can cause possible injury or death. Permit only responsible and capable persons to install, operate and maintain this equipment.

! Potentially lethal voltages are generated by these machines. Ensure all steps are taken to render the machine safe before attempting to work on the generator.

! Parts of the generator are rotating and/or hot during operation. Exercise care near running generators.

! Installation must always comply with applicable codes, standards, laws and regulations.

! A running generator gives off carbon monoxide, and odorless, colorless poison gas. Breathing in carbon monoxide can cause headaches, fatigue, dizziness, nausea, vomiting, confusion, fainting, seizures or death.

GENERAL HAZARDS

- For safety reasons, the manufacturer recommends that this equipment be installed, serviced and repaired by a Service Dealer or other competent, qualified electrician or installation technician who is familiar with applicable codes, standards and regulations. The operator also must comply with all such codes, standards and regulations.
- The engine exhaust fumes contain carbon monoxide, which can be DEADLY. This dangerous gas, if breathed in sufficient concentrations, can cause unconsciousness or even death. Do NOT alter or add to the exhaust system or do anything that might render the system unsafe or in noncompliance with applicable codes and standards.

- Install a battery operated carbon monoxide alarm indoors, according to manufacturer's instructions/recommendations.
- Adequate, unobstructed flow of cooling and ventilating air is critical to correct generator operation. Do not alter the installation or permit even partial blockage of ventilation provisions, as this can seriously affect safe operation of the generator. **The generator MUST be installed and operated outdoors only.**
- Keep hands, feet, clothing, etc., away from drive belts, fans, and other moving or hot parts. Never remove any drive belt or fan guard while the unit is operating.
- When working on this equipment, remain alert at all times. Never work on the equipment when physically or mentally fatigued.
- Inspect the generator regularly, and contact the nearest Dealer for parts needing repair or replacement.
- Before performing any maintenance on the generator, disconnect its battery cables to prevent accidental start up. Disconnect the cable from the battery post indicated by a NEGATIVE, NEG or (–) first, then remove the POSITIVE, POS or (+) cable. When reconnecting the cables, connect the POSITIVE cable first, the NEGATIVE cable last.
- Never use the generator or any of its parts as a step. Stepping on the unit can stress and break parts, and may result in dangerous operating conditions from leaking exhaust gases, fuel leakage, oil leakage, etc.

EXHAUST HAZARDS

- Generator engine exhaust contains DEADLY carbon monoxide, an odorless, colorless poisonous gas. Breathing carbon monoxide can cause: dizziness, throbbing temples, nausea, muscular twitching, headache, vomiting, weakness and sleepiness, inability to think clearly, fainting, unconsciousness or even death. If you experience any carbon monoxide poisoning symptoms, move into fresh air and immediately seek medical attention.
- Never operate the generator set with the vehicle inside any garage or other enclosed area.

ELECTRICAL HAZARDS

- All generators covered by this manual produce dangerous electrical voltages and can cause fatal electrical shock. Utility power delivers extremely high and dangerous voltages to the transfer switch as does the standby generator when it is in operation. Avoid contact with bare wires, terminals, connections, etc., while the unit is running. Ensure all appropriate covers, guards and barriers are in place, secured and/or locked before operating the generator. If work must be done around an operating unit, stand on an insulated, dry surface to reduce shock hazard.
- Do not handle any kind of electrical device while standing in water, while barefoot, or while hands or feet are wet. DANGEROUS ELECTRICAL SHOCK MAY RESULT.

- The National Electrical Code (NEC) requires the frame and external electrically conductive parts of the generator to be connected to an approved earth ground. Local electrical codes also may require proper grounding of the generator electrical system.
- After installing this home standby electrical system, the generator may crank and start at any time without warning. When this occurs, load circuits are transferred to the STANDBY (generator) power source. To prevent possible injury if such a start and transfer occur, always set the generator's AUTO/OFF/MANUAL switch to its OFF position before working on equipment and remove the 15A fuse from the generator control panel.
- In case of accident caused by electric shock, immediately shut down the source of electrical power. If this is not possible, attempt to free the victim from the live conductor. **AVOID DIRECT CONTACT WITH THE VICTIM.** Use a nonconducting implement, such as a dry rope or board, to free the victim from the live conductor. If the victim is unconscious, apply first aid and get immediate medical help.
- Never wear jewelry when working on this equipment. Jewelry can conduct electricity resulting in electric shock, or may get caught in moving components causing injury.

FIRE HAZARDS

- For fire safety, the generator must be installed and maintained properly. **Installation must always comply with applicable codes, standards, laws and regulations.** Adhere strictly to local, state and national electrical and building codes. Comply with regulations the Occupational Safety and Health Administration (OSHA) has established. Also, ensure that the generator is installed in accordance with the manufacturer's instructions and recommendations. Following proper installation, do nothing that might alter a safe installation and render the unit in noncompliance with the aforementioned codes, standards, laws and regulations.
- Keep a fire extinguisher near the generator at all times. Extinguishers rated "ABC" by the National Fire Protection Association are appropriate for use on the standby electric system. Keep the extinguisher properly charged and be familiar with its use. Consult the local fire department with any questions pertaining to fire extinguishers.

EXPLOSION HAZARDS

- Do not smoke around the generator. Wipe up any fuel or oil spills immediately. Ensure that no combustible materials are left in the generator compartment, or on or near the generator, as FIRE or EXPLOSION may result. Keep the area surrounding the generator clean and free from debris.
- Gaseous fluids such as natural gas and liquid propane (LP) gas are extremely EXPLOSIVE. Install the fuel supply system according to applicable fuel-gas codes. Before placing the home standby electric system into service, fuel system lines must be properly purged and leak tested according to applicable code. After installation, inspect the fuel system periodically for leaks. No leakage is permitted.

STANDARDS INDEX

In the absence of pertinent standards, codes, regulations and laws, the published information listed below may be used for installation guidance for this equipment.

1. NFPA No. 37, STATIONARY COMBUSTION ENGINES AND GAS TURBINES, available from the National Fire Protection Association, 470 Atlantic Avenue, Boston, MA 02210.
2. NFPA No. 76A, ESSENTIAL ELECTRICAL SYSTEMS FOR HEALTH CARE FACILITIES, available same as Item 1.
3. NFPA No. 54, NATIONAL FUEL GAS CODE, available same as Item 1.
4. NFPA No. 58, AMERICAN NATIONAL STANDARD FOR STORAGE AND HANDLING OF LIQUEFIED PETROLEUM GAS, available same as Item 1.
5. NFPA No. 70, NFPA HANDBOOK OF NATIONAL ELECTRIC CODE, available same as Item 1.
6. Article X, NATIONAL BUILDING CODE, available from the American Insurance Association, 85 John Street, New York, N.Y. 10038.
7. AGRICULTURAL WIRING HANDBOOK, available from the Food and Energy Council, 909 University Avenue, Columbia, MO 65201.
8. ASAE EP-3634, INSTALLATION AND MAINTENANCE OF FARM STANDBY ELECTRICAL SYSTEMS, available from the American Society of Agricultural Engineers, 2950 Niles Road, St. Joseph, MI 49085.
9. NFPA No. 30, FLAMMABLE AND COMBUSTIBLE LIQUIDS CODE, available same as Item 1.

CALIFORNIA PROPOSITION 65 WARNING

Engine exhaust and some of its constituents are known to the State of California to cause cancer, birth defects and other reproductive harm.

CALIFORNIA PROPOSITION 65 WARNING

This product contains or emits chemicals known to the State of California to cause cancer, birth defects and other reproductive harm.

General Information

⚠ DANGER!

- ⚠ Only qualified electricians or contractors should attempt such installations, which must comply strictly with applicable codes, standards and regulations.**

1.1 UNPACKING/INSPECTION

After unpacking, carefully inspect the contents for damage.

- This standby generator set is ready for installation with a factory supplied and pre-mounted base pad and has a weather protective enclosure that is intended for **outdoor installation only**.
- This UL listed standby generator set may be packaged with an automatic transfer switch with built in load center. The combination transfer switch and load center is pre-wired with a two foot and 30 foot conduit. Circuit breakers for emergency circuit connections are included (if equipped).
- This UL listed, 2-pole switch is rated at 100 or 200 AC amperes at 250 volts maximum. **The 100 Amp transfer switch is for indoor use only. The 200 Amp transfer switch is for indoor/outdoor use (if equipped).**

⚠ WARNING!

- ⚠ If this generator is used to power electrical load circuits normally powered by a utility power source, it is required by code to install a transfer switch. The transfer switch must effectively isolate the electrical system from the utility distribution system when the generator is operating (NEC 700, 701 & 702). Failure to isolate an electrical system by such means will result in damage to the generator and also may result in injury or death to utility power workers due to backfeed of electrical energy.**

If any loss or damage is noted at time of delivery, have the person(s) making the delivery note all damage on the freight bill or affix their signature under the consignor's memo of loss or damage.

If a loss or damage is noted after delivery, separate the damaged materials and contact the carrier for claim procedures.

“Concealed damage” is understood to mean damage to the contents of a package that is not in evidence at the time of delivery, but is discovered later.

To properly open the roof, press down on the center top lip and release the latch. If pressure is not applied from the top, the roof may appear stuck. Always verify that the side lock is unlocked before attempting to lift the roof.

1.2 PROTECTION SYSTEMS

Unlike an automobile engine, the generator may have to run for long periods of time with no operator present to monitor engine conditions. For that reason, the engine is equipped with the following systems that protect it against potentially damaging conditions:

- | | |
|----------------------------|----------------------|
| 1. Low Oil Pressure Sensor | 6. Low Battery |
| 2. High Temperature Sensor | 7. Under-frequency |
| 3. Overcrank | 8. Undervoltage |
| 4. Overspeed | 9. Overvoltage |
| 5. RPM Sensor | 10. Internal Failure |

There are readouts on the control panel to notify personnel that one of these failures has occurred. There is a Status message on the display that displays when all of the conditions described in the "Ready to Run" section are true.

1.3 NEC REQUIREMENT FOR ARC FAULT CIRCUIT INTERRUPTION BREAKER FOR BEDROOMS

In 2001, the National Electric Code (NEC) introduced a requirement for new construction. This new requirement indicates the need for Arc Fault Circuit Interrupters to be used to protect the complete branch circuit that feeds a dwelling bedroom. The actual NEC requirement is indicated below.

1.3.1 SECTION 210.12 ARC FAULT CIRCUIT INTERRUPTER PROTECTION

1. Definition: An arc fault circuit interrupter is a device intended to provide protection from the effects of arc faults by recognizing characteristics unique to arcing and by functioning to de-energize the circuit when an arc fault is detected.
2. Dwelling Unit Bedrooms: All branch circuits that supply 125 volt, single-phase, 15 and 20 ampere outlets installed in dwelling unit bedrooms shall be protected by an arc fault circuit interrupter listed to provide protection of the entire branch circuit.

Section 210.12 requires that AFCI protection be provided on branch circuits that supply outlets (receptacle, lighting, etc.) in dwelling bedrooms. The requirement is limited to 15 and 20 ampere, 125 volt circuits. There is no prohibition against providing AFCI protection on other circuits or in locations other than bedrooms. Because circuits are often shared between a bedroom and other areas such as closets and hallways, providing AFCI protection on the complete circuit would comply with 210.12.

If during the installation of the home standby system the decision is made to provide back up power to a bedroom branch circuit, then the circuit breaker in the transfer switch should be replaced with an Arc Fault Circuit Interrupter.

It is most important that breakers only be switched like for like. For instance, if replacing a 15A breaker, it MUST be replaced with a 15A AFCI breaker. Likewise, a 20A breaker MUST be replaced with a 20A AFCI.

These AFCI breakers are available at the nearest hardware store.

Siemens Item #	Description
Q115AF	15A Single Pole AFCI
Q120AF	20A Single Pole AFCI

1.4 EMISSION INFORMATION

The Environmental Protection Agency requires that this generator complies with exhaust emission standards. This generator is certified to meet the applicable EPA emission levels. Additional information regarding the requirements set by the EPA is as follows:

The generator is certified for use as a stationary engine for standby power generation. Any other use may be a violation of federal and/or local laws. It is important that to follow the maintenance specifications in the "Maintenance" section to ensure that the engine complies with the applicable emission standards for the duration of the engine's life. This engine is certified to operate on Liquid Propane fuel and pipeline Natural Gas. The emission control system on the generator consists of the following:

- Fuel Metering System
 - Carburetor/mixer assembly
 - Fuel regulator
- Air Induction System
 - Intake pipe/manifold
 - Air cleaner
- Ignition System
 - Spark plug
 - Ignition module

The Emissions Compliance Period referred to on the Emissions Compliance Label indicates the number of operating hours for which the engine has been shown to meet Federal emission requirements. See the table below to determine the compliance period for the generator. The displacement of the generator is listed on the Emissions Compliance Label.

Displacement	Category	Compliance Period
< 66 cc	A	300 Hours
	B	125 Hours
	C	50 Hours
≥ 66 cc - < 225 cc	A	500 Hours
	B	250 Hours
	C	125 Hours
≥ 225 cc	A	1000 Hours
	B	500 Hours
	C	250 Hours

General Information

1.5 THE GENERATOR

Figure 1.1 – 8kW, Single Cylinder, GH-410 Engine (door removed)

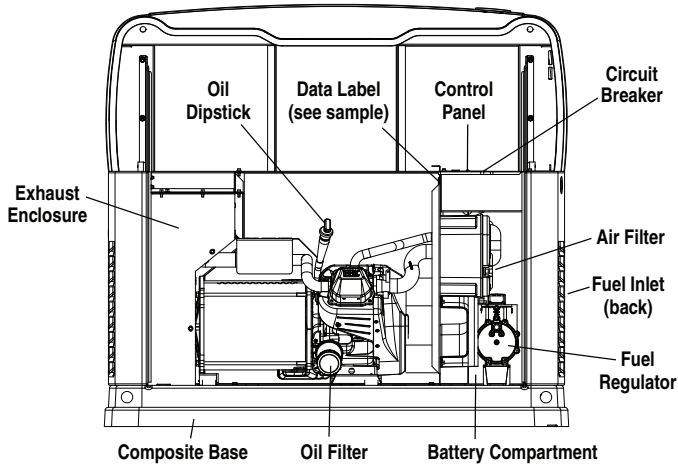


Figure 1.2 – 10kW, V-twin, GT-530 Engine (door removed)

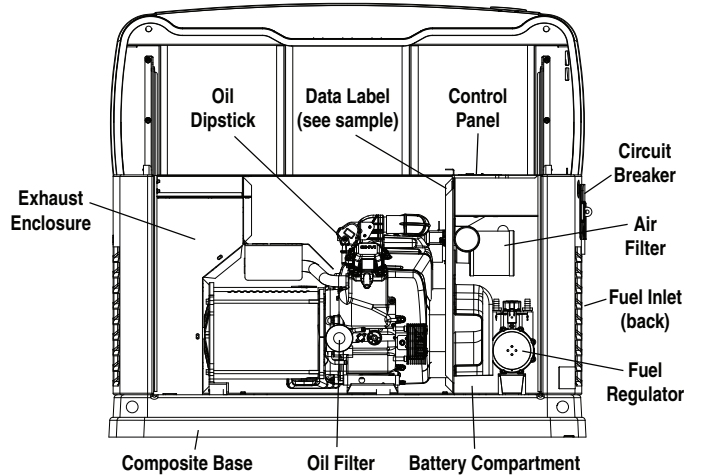
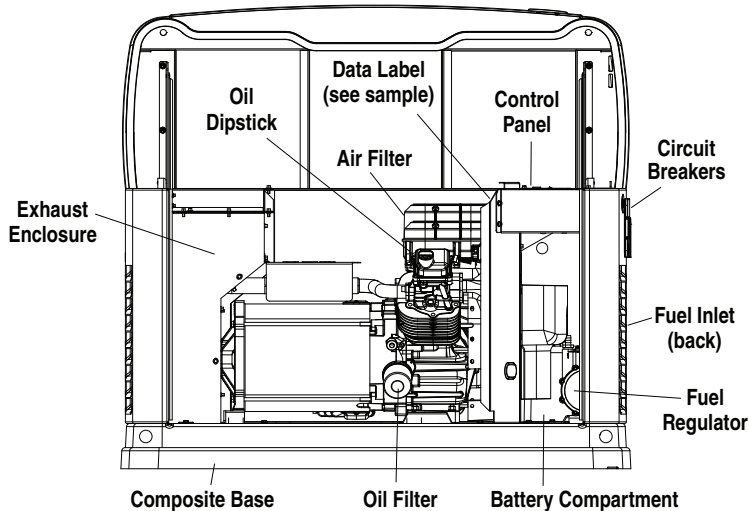


Figure 1.3 – 13, 14, 16, 17 and 20kW, V-twin, GT-990/GT-999 Engine (door removed)



Data Label Sample

MODEL	<input type="text"/>
SERIAL	<input type="text"/>
VOLTS	<input type="text"/>
AMPS	<input type="text"/>
1 PH, 60 Hz, RPM 3600	
RAINPROOF ENCLOSURE FITTED	
CLASS H INSULATION	
RATED AMBIENT TEMP - 25°C	
FOR STANDBY SERVICE	
NEUTRAL FLOATING	
MAX LOAD UNBALANCE-50%	
WHITWATER, WIS	
MADE IN U.S.A.	

1.6 SPECIFICATIONS

1.6.1 GENERATOR

Model	8kW	10kW	13kW	14kW	16kW	17kW	20kW
Rated Voltage	240						
Rated Maximum Load Current (Amps) at 240 Volts (LP)*	33.3	41.6	54.1	58.3	66.6	70.8	83.3
Main Circuit Breaker	35 Amp	45 Amp	55 Amp	60 Amp	65 Amp	65 Amp	100 Amp
Circuits** 50A, 240V	-	-	1	1	1	1	-
40A, 240V	-	1	1	1	1	1	-
30A, 240V	1	1	-	-	-	-	-
20A, 240V	1	-	1	1	1	1	-
20A, 120V	3	3	4	4	5	5	-
15A, 120V	3	5	4	4	5	5	-
Phase	1						
Number of Rotor Poles	2						
Rated AC Frequency	60 Hz						
Battery Requirement	Group 26R, 12 Volts and 350 CCA Minimum	Group 26R, 12 Volts and 525 CCA Minimum					
Weight (unit only in lbs.)	340	387	439	439	439	455/421	450
Enclosure	Steel	Steel	Steel	Steel	Steel	Steel/Aluminum	Aluminum
Normal Operating Range	This unit is tested in accordance to UL 2200 standards with an operating temperature of 20 °F (-29 °C) to 122 °F. (50 °C). For areas where temperatures fall below 32 °F (0 °C), a cold weather kit is highly recommended. When operated above 77° F (25° C) there may be a decrease in engine power. (Please reference the engine specifications section).						
These generators are rated in accordance with UL2200, Safety Standard for Stationary Engine Generator Assemblies; and CSA-C22.2 No. 100-04 Standard for Motors and Generators.							
* Natural Gas ratings will depend on specific fuel Btu content. Typical derates are between 10-20% off the LP gas rating.							
** Circuits to be moved must be protected by same size breaker. For example, a 15 amp circuit in the main panel must be a 15 amp circuit in the transfer switch.							

1.6.2 ENGINE

Model	8 kW	10 kW	13/14/16/17 kW	20 kW
Type of Engine	GH-410	GT-530	GT-990	GT-999
Number of Cylinders	1	2	2	2
Rated Horsepower @ 3,600 rpm*	14.8	18	32	36
Displacement	410cc	530cc	992cc	999cc
Cylinder Block	Aluminum w/Cast Iron Sleeve			
Valve Arrangement	Overhead Valves			
Ignition System	Solid-state w/Magneto			
Recommended Spark Plug	RC14YC	BPR6HS	RC14YC	RC12YC
Spark Plug Gap	0.76 mm (0.030 inch)	0.76 mm (0.030 inch)	1.02 mm (0.040 inch)	0.76 mm (0.030 inch)
Compression Ratio	8.6:1	9.5:1	9.5:1	9.5:1
Starter	12 VDC			
Oil Capacity Including Filter	Approx. 1.5 Qts	Approx. 1.7 Qts	Approx. 1.9 Qts	Approx. 1.9 Qts
Recommended Oil Filter	Part # 070185F			
Recommended Air Filter	Part # 0G3332	Part # 0E9581	Part # 0C8127	Part # 0G5894
Operating RPM	3,600			
* Engine power is subject to and limited by such factors as fuel Btu content, ambient temperature and altitude. Engine power decreases about 3.5 percent for each 1,000 feet above sea level; and also will decrease about 1 percent for each 6 C (10 F) above 16 C (60 F) ambient temperature.				

General Information

1.7 READY TO RUN

The "Ready to Run" on the display is ready when all of the following conditions are true:

1. The AUTO/OFF/MANUAL switch is set to the AUTO position.
2. The utility voltage being supplied to the unit is being sensed by the PCB. If the utility sense voltage is not connected to the unit or if it is below approximately 150-160 volts AC, then the system will display the message "No Utility Present". This indicates that if the AUTO/OFF/MANUAL switch is placed in the Auto position, the generator will start.
3. No alarms are present, for example, low oil pressure, high temperature, etc.

1.8 FUEL REQUIREMENTS AND RECOMMENDATIONS

With LP gas, use only the vapor withdrawal system. This type of system uses the vapors formed above the liquid fuel in the storage tank.

The engine has been fitted with a fuel carburetion system that meets the specifications of the 1997 California Air Resources Board for tamper-proof dual fuel systems. The unit will run on natural gas or LP gas, but it has been factory set to run on natural gas. Should the primary fuel need to be changed to LP gas, the fuel system needs to be reconfigured. See the reconfiguring the Fuel System section for instructions on reconfiguration of the fuel system.

Recommended fuels should have a Btu content of at least 1,000 Btus per cubic foot for natural gas; or at least 2,520 Btus per cubic foot for LP gas. Ask the fuel supplier for the Btu content of the fuel.

Required fuel pressure for **natural gas is five (5) inches to seven (7) inches water column (0.18 to 0.25 psi); and for liquid propane, 10 inches to 12 inches of water column (0.36 to 0.43 psi). The primary regulator for the propane supply is NOT INCLUDED with the generator.**

NOTE:

All pipe sizing, construction and layout must comply with NFPA 54 for natural gas applications and NFPA 58 for liquid propane applications. Once the generator is installed, verify that the fuel pressure NEVER drops below four (4) inches water column for natural gas or 10 inches water column for liquid propane.

Prior to installation of the generator, the installer should consult local fuel suppliers or the fire marshal to check codes and regulations for proper installation. Local codes will mandate correct routing of gaseous fuel line piping around gardens, shrubs and other landscaping to prevent any damage.

Special considerations should be given when installing the unit where local conditions include flooding, tornados, hurricanes, earthquakes and unstable ground for the flexibility and strength of piping and their connections.

Use an approved pipe sealant or joint compound on all threaded fitting.

All installed gaseous fuel piping must be purged and leak tested prior to initial start-up in accordance with local codes, standards and regulations.

1.9 FUEL CONSUMPTION

Unit	Nat. Gas		LP Vapor	
	1/2 Load	Full Load	1/2 Load	Full Load
7/8 kW	77	140	0.94/34	1.68/62
9/10 kW	102	156	1.25/46	1.93/70
13/13 kW	156	220	1.55/57	2.18/80
13/14 kW	156	220	1.56/58	2.30/84
16/16 kW	183	261	1.59/58	2.51/91
16/17 kW	183	261	1.61/59	2.57/94
18/20 kW	206	294	1.89/69	2.90/106

* Natural gas is in cubic feet per hour.

** LP is in gallons per hour/cubic feet per hour.

*** Values given are approximate.


Verify that gas meter is capable of providing enough fuel flow to include household appliances.

1.9.1 BTU FLOW REQUIREMENTS - NATURAL GAS

BTU flow required for each unit based on 1000 BTU per cubic foot.

- 7kW — 140,000 BTU/Hour
- 9kW — 156,000 BTU/Hour
- 13kW — 220,000 BTU/Hour
- 16kW — 261,000 BTU/Hour
- 18kW — 294,000 BTU/Hour

⚠ DANGER!

 **Gaseous fuels such as natural gas and liquid propane (LP) gas are highly explosive. Even the slightest spark can ignite such fuels and cause an explosion. No leakage of fuel is permitted. Natural gas, which is lighter than air, tends to collect in high areas. LP gas is heavier than air and tends to settle in low areas.**

NOTE:

A minimum of one approved manual shut-off valve must be installed in the gaseous fuel supply line. The valve must be easily accessible. Local codes determine the proper location.

1.10 RECONFIGURING THE FUEL SYSTEM

1.10.1 8 KW, 410CC ENGINE

To reconfigure the fuel system from NG to LP, follow these steps (Figure 1.4):

NOTE:

The primary regulator for the propane supply is NOT INCLUDED with the generator. A fuel pressure of 10 to 12 inches of water column (0.36 to 0.43 psi) to the fuel inlet of the generator MUST BE SUPPLIED.

1. Turn off the main gas supply (if connected).
2. Open the roof and remove the door.
3. Remove the battery (if installed).
4. Take the plastic T-handle fuel selector in the poly bag supplied with the generator.
5. Locate the selector knob on the air box cover, behind the yellow air filter door and power bulge. The unit comes from the factory in the NG (Natural Gas) position. Grasping the T-handle, insert the pin end into the hole in the selector knob and pull out to overcome spring pressure and then twist clockwise 90 degrees and allow the selector to return in once aligned with the LP (Liquid Propane) position.
6. Save this tool with the Owner's Manual.
7. Install the battery, door and close the roof.
8. Reverse the procedure to convert back to natural gas.

Figure 1.4 – Fuel Selector



NOTE:

Use an approved pipe sealant or joint compound on all threaded fittings to reduce the possibility of leakage.

1.10.2 10, 13, 14, 16, 17 AND 20KW, V-TWIN ENGINES

To reconfigure the fuel system from NG to LP, follow these steps:

NOTE:

The primary regulator for the propane supply is NOT INCLUDED with the generator. A fuel pressure of 10 to 12 inches of water column (0.36 to 0.43 psi) to the fuel inlet of the generator MUST BE SUPPLIED.

1. Open the roof.
2. **For 10kW units:** Loosen clamp and slide back the air inlet hose.
 - Slide fuel selector on carburetor out towards the back of the enclosure (Figures 1.5 and 1.6).
 - Return the inlet hose and tighten clamp securely.
- For 13, 14, 16, 17 and 20kW units:** remove the air cleaner cover.
 - Slide the selector lever out towards the back of the enclosure (Figures 1.7 and 1.8).
 - Return the air cleaner cover and tighten the two thumb screws.

Figure 1.5 - 10kW, GT-530 (Inlet Hose Slid Back)

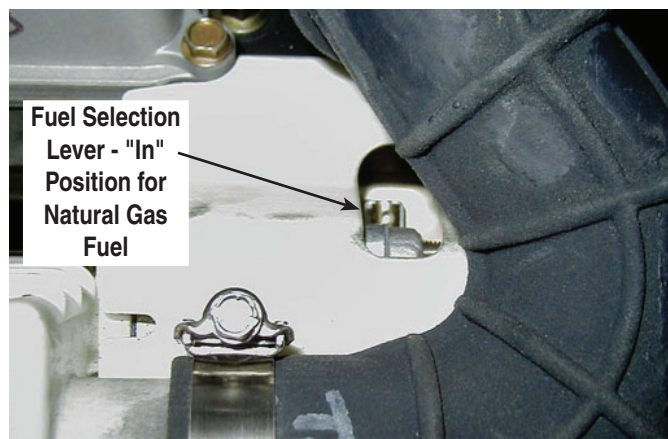
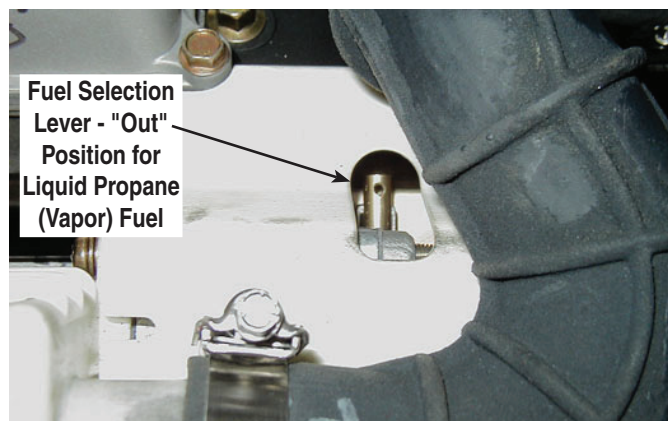


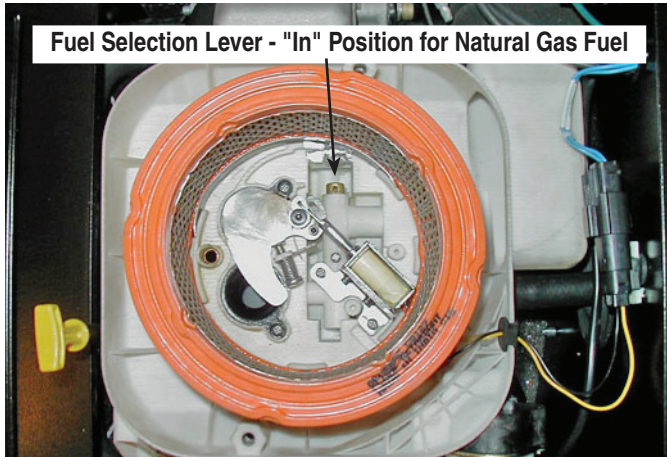
Figure 1.6 - 10kW, GT-530 (Inlet Hose Slid Back)



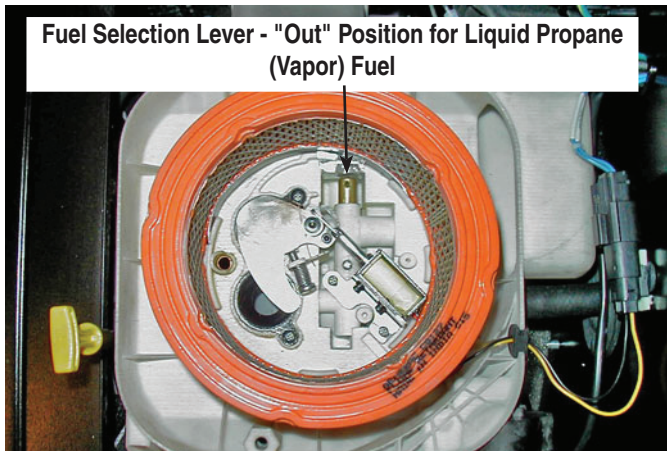
General Information

3. Close the roof.
4. Reverse the procedure to convert back to natural gas.

*Figure 1.7 - 13, 14, 16, 17, & 20kW,
GT-990/GT-999 (Airbox Cover Removed)*



*Figure 1.8 - 13, 14, 16, 17, & 20kW,
GT-990/GT-999 (Airbox Cover Removed)*



1.11 LOCATION

⚠ DANGER!

- ⚠ The engine exhaust fumes contain carbon monoxide, which can be DEADLY. This dangerous gas, if breathed in sufficient concentrations, can cause unconsciousness or even death. This generator must be installed properly, in strict compliance with applicable codes and standards. Following installation, do nothing that might render the system unsafe or in noncompliance with such codes and standards. Operate the generator outdoors ONLY.**

- **Keep exhaust gases from entering a confined area through windows, doors, ventilation, crawl spaces or other openings (Figure 1.9).**
- **It is highly recommended that carbon monoxide detector(s) be installed indoors according to the manufacturer's instructions/recommendations.**
- **The generator must be mounted safely per applicable codes and the manufacturer's specifications. Do NOT alter or add to the exhaust system, or do anything that might render the exhaust system unsafe or in noncompliance with applicable codes and standards.**

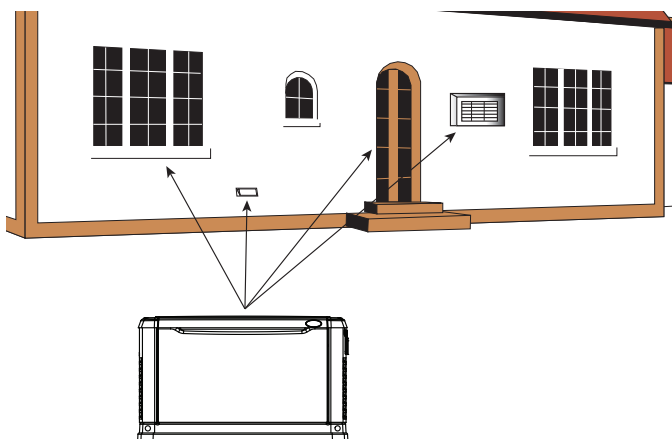
1.11.1 GENERATOR

Install the generator set, in its protective enclosure, **outdoors**, where adequate cooling and ventilating air is always available (Figure 1.9). Consider these factors:

- The installation of the generator **must comply strictly with NFPA 37, NFPA 54, NFPA 58, and NFPA 70 standards.**
- Install the unit where air inlet and outlet openings will not become obstructed by leaves, grass, snow, etc.. If prevailing winds will cause blowing or drifting, consider using a wind-break to protect the unit.
- Install the generator on high ground where water levels will not rise and endanger it.
- Allow sufficient room on all sides of the generator for maintenance and servicing. This unit must be installed in accordance with current applicable NFPA 37 and NFPA 70 standards; as well as any other federal, state and local codes for minimum distances from other structures. **DO NOT** install under wooden decks or structures unless there is at least four (4) feet of clearance above the generator, three (3) feet of clearance on sides and front, and 18 inches of clearance at back of unit.
- Install the unit where rain gutter down spouts, roof run-off, landscape irrigation, water sprinklers or sump pump discharge does not flood the unit or spray the enclosure, including any air inlet or outlet openings.
- Install the unit where services will not be affected or obstructed, including concealed, underground or covered services such as electrical, fuel, phone, air conditioning or irrigation.
- Where strong prevailing winds blow from one direction, face the generator air inlet openings to the prevailing winds.
- Install the generator as close as possible to the fuel supply, to reduce the length of piping.
- Install the generator as close as possible to the transfer switch. **REMEMBER THAT LAWS OR CODES MAY REGULATE THE DISTANCE AND LOCATION.**
- The genset must be installed on a level surface. The base frame must be level within two (2) inches all around.

- The generator is typically placed on pea gravel or crushed stone. Check local codes if a concrete slab is required. If a concrete base slab is required, all federal, state and local codes should be followed. Special attention should be given to the concrete base slab which should exceed the length and width of the generator by a minimum of six (6) inches (0.152 meters) on all sides.

Figure 1.9 – Generator Clearances



1.11.2 NEW INSTALLATION GUIDELINES FOR STATIONARY AIR-COOLED 8, 10, 13, 14, 16, 17 AND 20 KW GENERATORS.

The National Fire Protection Association has a standard for the installation and use of stationary combustion engines. That standard is NFPA 37 and its requirements limit the spacing of an enclosed generator set from a structure or wall (Figure 1.10).

NFPA 37, Section 4.1.4, Engines Located Outdoors. Engines, and their weatherproof housings if provided, that are installed outdoors shall be located at least 5 ft. from openings in walls and at least 5 ft. from structures having combustible walls. A minimum separation shall not be required where the following conditions exist:

1. The adjacent wall of the structure has a fire resistance rating of at least 1 hour.
2. The weatherproof enclosure is constructed of noncombustible materials and it has been demonstrated that a fire within the enclosure will not ignite combustible materials outside the enclosure.

Annex A — Explanatory Material

A4.1.4 (2) Means of demonstrating compliance are by means of full scale fire test or by calculation procedures.

Because of the limited spaces that are frequently available for installation, it has become apparent that exception (2) would be beneficial for many residential and commercial installations. With that in mind, the manufacturer contracted with an independent testing laboratory to run full scale fire tests to assure that the enclosure would not ignite combustible materials outside the enclosure.

The criteria was to determine the worst case fire scenario within the generator and to determine the ignitability of items outside the engine enclosure at various distances. The enclosure is constructed of non-combustible materials and the results and conclusions from the independent testing lab indicated that any fire within the generator enclosure would not pose any ignition risk to nearby combustibles or structures, with or without fire service personnel response.

Based on this testing and the requirements of NFPA 37, Sec 4.1.4, the guidelines for installation of the generators listed above are changed to 18 inches (457mm) from the back side of the generator to a stationary wall or building. For adequate maintenance and airflow clearance, the area above the generator should be at least 4 feet with a minimum of 3 feet at the front and ends of the enclosure. This would include trees, shrubs and vegetation that could obstruct airflow. See the diagram on the reverse of this page and the installation drawing within the owner's manual for details.

Generator exhaust contains DEADLY carbon monoxide gas. This dangerous gas can cause unconsciousness or death. Do not place the unit near windows, doors, fresh air intakes (furnaces, etc.) or any openings in the building or structure, including windows and doors of an attached garage.

1.11.3 TRANSFER SWITCH (if included)

1.11.3.1 8, 10, 13, 14, 16, 17 and 20kW Units (if equipped)

The transfer switch that may have shipped inside the carton with the 8, 10, 13, 14, 16 or 17kW generator is enclosed in a **NEMA 1 (indoor rated only)** enclosure. The transfer switch that may have shipped with the 20kW generator is enclosed in a **NEMA 3R (indoor/outdoor rated)** enclosure.

- Install the transfer switch indoors on a firm, sturdy supporting structure.
- To prevent switch distortion, level the switch if necessary. This can be done by placing washers between the switch enclosure and mounting surface.
- Never install the switch where water or any corrosive substance might drip onto the enclosure.
- Protect the switch at all times against excessive moisture, dust, dirt, lint, construction grit and corrosive vapors.

⚠ WARNING!

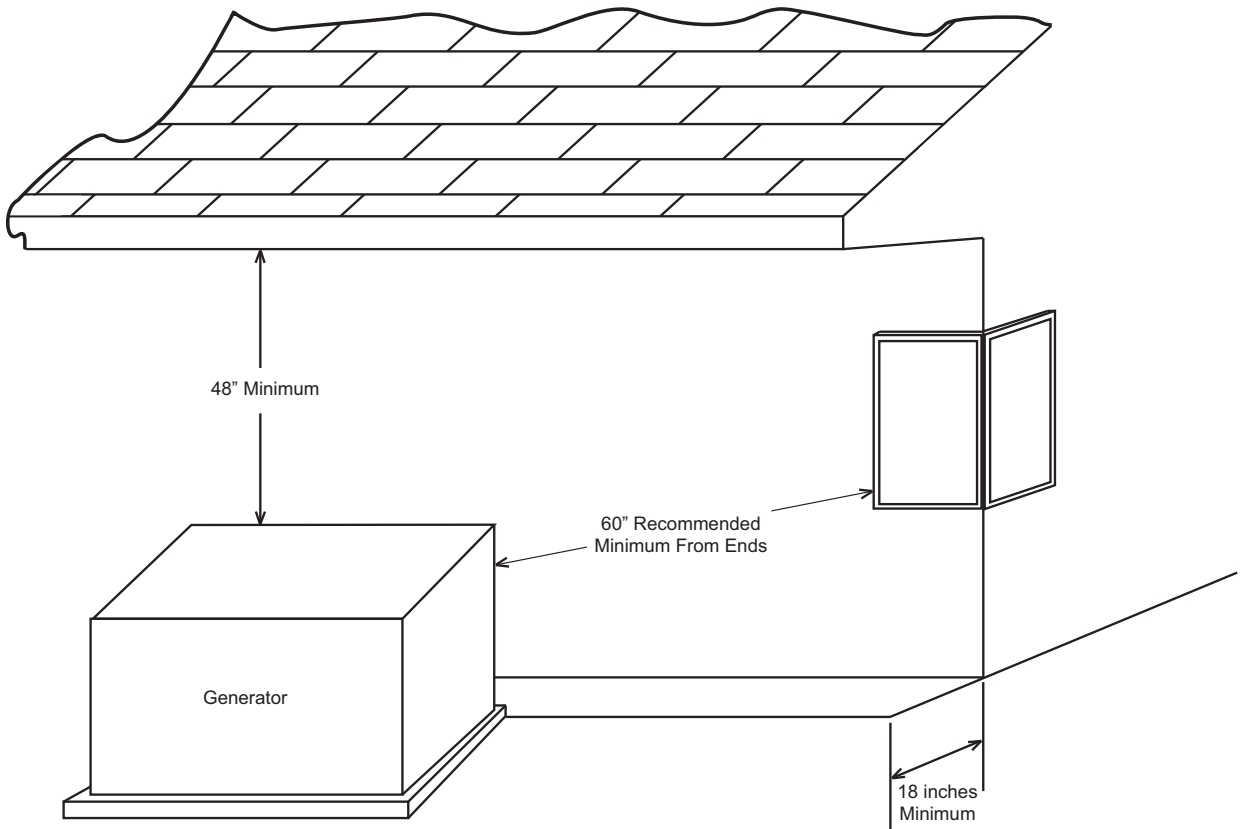
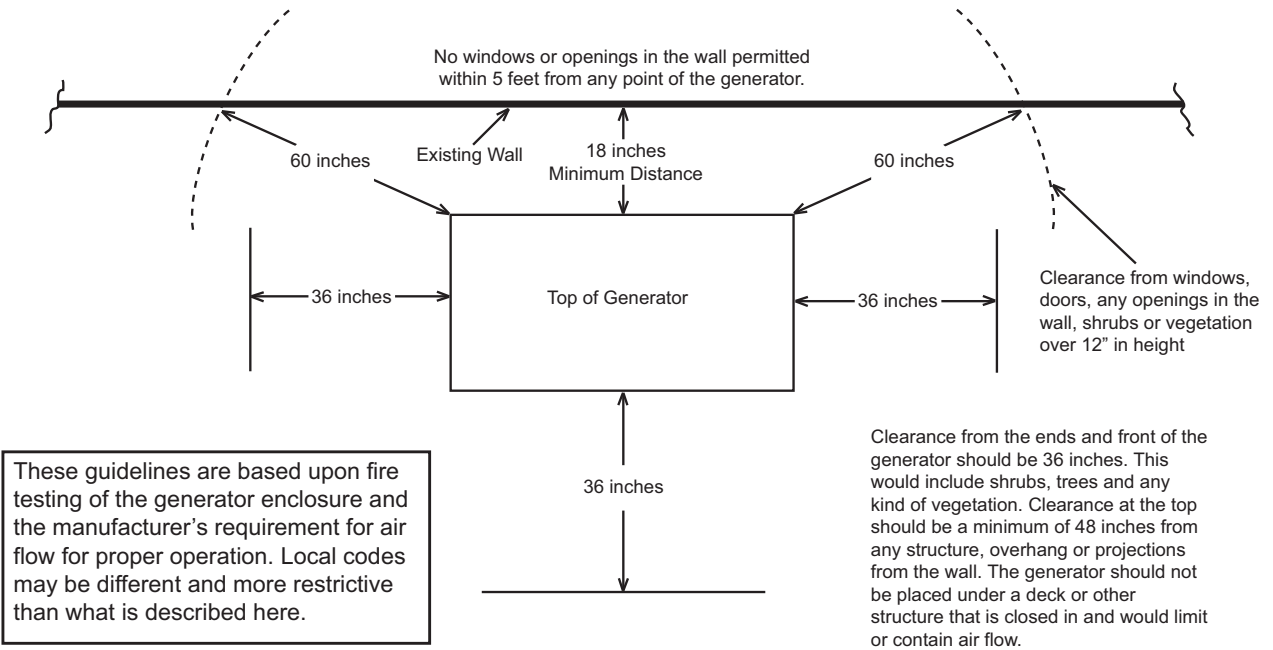
⚠ If the AUTO/OFF/MANUAL switch is not set to its OFF position, the generator can crank and start as soon as the battery cables are connected. If the utility power supply is not turned off, sparking can occur at the battery posts and cause an explosion.

1.12 BATTERY REQUIREMENTS

See the Specifications section for correct battery size and rating.

General Information

Figure 1.10 – Installation Guidelines



This drawing supersedes installation instructions in all air-cooled installation and owner's manuals dated previous to May 26, 2007.

1.13 BATTERY INSTALLATION

Fill the battery with the proper electrolyte fluid if necessary and have the battery fully charged before installing it.

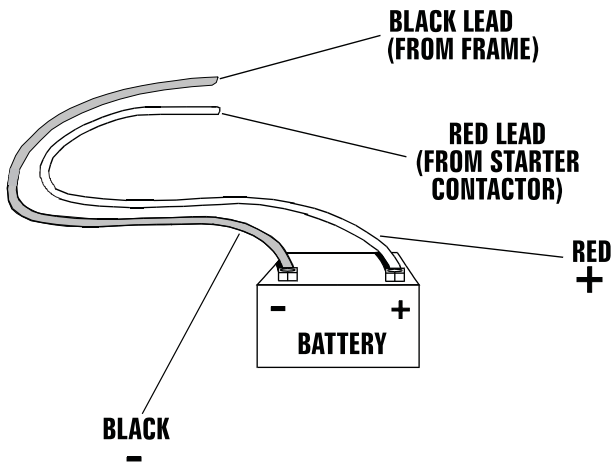
Before installing and connecting the battery, complete the following steps:

1. Set the generator's AUTO/OFF/MANUAL switch to OFF.
2. Turn off utility power supply to the transfer switch.
3. Remove the 7.5A fuse from the generator control panel.

Battery cables were factory connected at the generator (Figure 1.10). Connect cables to battery posts as follows:

4. Connect the red battery cable (from starter contactor) to the battery post indicated by a positive, POS or (+).
5. Connect the black battery cable (from frame ground) to the battery post indicated by a negative, NEG or (—).

Figure 1.10 – Battery Cable Connections



NOTE:

Dielectric grease should be used on battery posts to aid in the prevention of corrosion.

NOTE:

Damage will result if battery connections are made in reverse.

NOTE:

In areas where temperatures regularly fall below 10° F (-12° C) it is recommended that a pad type battery heater be installed to aid in cold climate starting.

1.14 THE BATTERY

⚠ DANGER!

⚠ Do not dispose of the battery in a fire. The battery is capable of exploding.

⚠ A battery presents a risk of electrical shock and high short circuit current. The following precautions are to be observed when working on batteries:

- Remove the 7.5A fuse from the generator control panel.
- Remove watches, rings or other metal objects;
- Use tools with insulated handles;
- Wear rubber gloves and boots;
- Do not lay tools or metal parts on top of the battery; and
- Disconnect charging source prior to connecting or disconnecting battery terminals.

⚠ WARNING!

⚠ Do not open or mutilate the battery. Released electrolyte has been known to be harmful to the skin and eyes, and to be toxic.

⚠ The electrolyte is a dilute sulfuric acid that is harmful to the skin and eyes. It is electrically conductive and corrosive.

The following procedures are to be observed:


- Wear full eye protection and protective clothing;
- Where electrolyte contacts the skin, wash it off immediately with water;
- Where electrolyte contacts the eyes, flush thoroughly and immediately with water and seek medical attention; and
- Spilled electrolyte is to be washed down with an acid neutralizing agent. A common practice is to use a solution of 1 pound (500 grams) bicarbonate of soda to 1 gallon (4 liters) of water. The bicarbonate of soda solution is to be added until the evidence of reaction (foaming) has ceased. The resulting liquid is to be flushed with water and the area dried.

⚠ Lead-acid batteries present a risk of fire because they generate hydrogen gas. The following procedures are to be followed:

- DO NOT SMOKE when near the battery;
- DO NOT cause flame or spark in battery area; and
- Discharge static electricity from body before touching the battery by first touching a grounded metal surface.

⚠ Be sure the AUTO/OFF/MANUAL switch is set to the OFF position before connecting the battery cables. If the switch is set to AUTO or MANUAL, the generator can crank and start as soon as the battery cables are connected.

Post Installation Start-up and Adjustments

 **Be sure the utility power supply is turned off and the 7.5A fuse is removed from the generator control panel, or sparking may occur at the battery posts as the cables are attached and cause an explosion.**

Servicing of the battery is to be performed or supervised by personnel knowledgeable of batteries and the required precautions. Keep unauthorized personnel away from batteries.

See the Specifications section for the correct size and rating when replacing the battery. Have these procedures performed at the intervals specified in the "Service Schedule." A negative ground system is used. Battery connections are shown on the wiring diagrams. Make sure the battery is correctly connected and terminals are tight. Observe battery polarity when connecting the battery to the generator set.

1.15 BATTERY CHARGER

NOTE:

The battery charger is integrated into the control module in all models.

It operates as a "Smart Charger" which ensures output is continually optimized to promote maximum battery life and charging levels are at safe conditions. The user can monitor both battery voltage and current charge in both "Boost" and "Float" modes on the LCD display on the controller.

NOTE:

There is a warning on the LCD display when the battery needs service.

2.1 ACTIVATE THE GENERATOR

When battery power is applied to the generator during the installation process, the controller will light up. However, the generator still needs to be activated before it will automatically run in the event of a power outage.

Activating the generator is a simple one time process that is guided by the controller screen prompts. Once the product is activated, the controller screen will not prompt you again, even if you disconnect the generator battery.

After obtaining your activation code, please complete the following steps at the generator's control panel in the Activation Chart.

2.2 BEFORE INITIAL START-UP

NOTE:

These units have been run and tested at the factory prior to being shipped and do not require any type of break-in.

NOTE:


This unit comes filled with oil from the factory. Check the oil level and add the appropriate amount if necessary.

Before starting, complete the following:

1. Set the generator's main circuit breaker to its OFF (or OPEN) position.
2. Set the generator's AUTO/OFF/MANUAL switch to the OFF position.
3. Turn OFF all breakers on the load center of the transfer box (T1 and T2).
4. Turn OFF all loads connected to the transfer switch terminals T1 and T2.
5. Check the engine crankcase oil level and, if necessary, fill to the dipstick FULL mark with the recommended oil. Do not fill above the FULL mark.
6. Check the fuel supply. Gaseous fuel lines must have been properly purged and leak tested in accordance with applicable fuel-gas codes. All fuel shutoff valves in the fuel supply lines must be open.

During initial start up only, the generator may exceed the normal number of start attempts and experience an "over crank" fault (See the "Overcrank" section). This is due to accumulated air in the fuel system during installation. Reset the control board and restart up to two more times, if necessary. If unit fails to start, contact the local dealer for assistance.


CAUTION!

 **Never operate the engine with the oil level below the "Add" mark on the dipstick. Doing this could damage the engine.**

2.3 CHECK TRANSFER SWITCH OPERATION

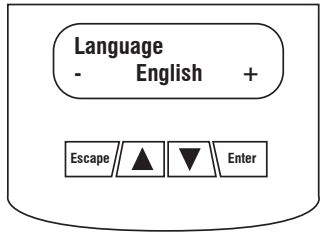
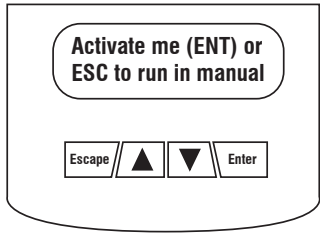

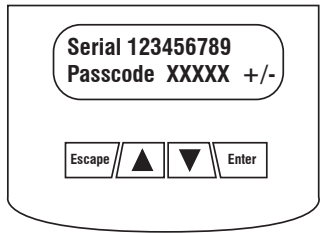
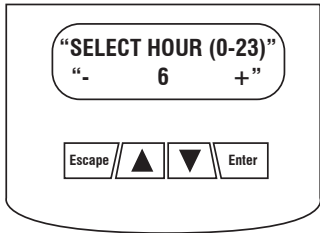
Refer to the "Manual Transfer Operation" section, of the owner's manual for procedures.

DANGER!

 **Do not attempt manual transfer switch operation until all power voltage supplies to the transfer switch have been positively turned off. Failure to turn off all power voltage supplies will result in extremely hazardous and possibly fatal electrical shock.**

Post Installation Start-up and Adjustments

ACTIVATION CHART

CHOOSE LANGUAGE		TROUBLESHOOTING
<p>Display Reads:</p> 	<p>Use ARROW keys to scroll to desired language. Press ENTER to select.</p>	<p>If the wrong language is chosen, it can be changed later using the “edit” menu.</p>
<p>Display Reads:</p> 	<p>Press ENTER to begin the activation process.</p>	<p>If ESCAPE is pressed instead of ENTER, your generator will only run in manual mode (for test purposes) and NOT ACTIVATED will be displayed. You will need to reconnect the battery and begin with Step 1.</p>
<p>Display Reads:</p> 	<p>If you do not have your activation code, go to www.activategen.com or call 1-888-9ACTIVATE (922-8482). If you already have your activation code, wait 3-5 seconds for the next display.</p>	
ENTER ACTIVATION CODE (Passcode)		TROUBLESHOOTING
<p>Display Reads:</p> 	<p>Use ARROW keys to scroll and find the first number of your Activation Code. Press ENTER to select. Repeat this step until all digits have been entered. Use ESCAPE to correct previous digits.</p>	
<p>Display Reads:</p> 	<p>Activation is complete when all digits are entered above and your screen shows this display. Follow the controller prompts to continue setting the time function. Refer to your Owner’s Manual with questions.</p>	<p>What happens if “Wrong Passcode Try Again” appears? Reenter the activation code. If a second attempt is unsuccessful, check the number against the code given on activategen.com. If it is correct and the generator will not accept it, contact 1-888-9ACTIVATE (922-8482).</p>

Post Installation Start-up and Adjustments

2.4 ELECTRICAL CHECKS

Complete electrical checks as follows:

1. Set the generator's main circuit breaker to its OFF (or OPEN) position.
2. Set the generator's AUTO/OFF/MANUAL switch to the OFF position.
3. Turn OFF all breakers on the load center of the transfer box (T1 and T2).
4. Turn on the utility power supply to the transfer switch using the means provided (such as a utility main line circuit breaker).

⚠ DANGER!

⚠ The transfer switch is now electrically "hot." Contact with "hot" parts will result in extremely hazardous and possibly fatal electrical shock. Proceed with caution.

5. Use an accurate AC voltmeter to check utility power source voltage across transfer switch terminals N1 and N2. Nominal line-to-line voltage should be 240 volts AC.
6. Check utility power source voltage across terminals N1 and the transfer switch neutral lug; then across terminal N2 and neutral. Nominal line-to-neutral voltage should be 120 volts AC.
7. When certain that utility supply voltage is compatible with transfer switch and load circuit ratings, turn OFF the utility power supply to the transfer switch.
8. On the generator panel, set the Auto/Off/ Manual switch to MANUAL. The engine should crank and start.
9. Let the engine warm up for about five minutes to allow internal temperatures to stabilize. Then, set the generator's main circuit breaker to its ON (or closed) position.

⚠ DANGER!

⚠ Proceed with caution! Generator power voltage is now supplied to the transfer switch. Contact with live transfer switch parts will result in dangerous and possibly fatal electrical shock.

10. Connect an accurate AC voltmeter and a frequency meter across transfer switch terminal lugs E1 and E2. Voltage should be 250-254 at a frequency of 59.5-60.5 Hertz.
11. Connect the AC voltmeter test leads across terminal lugs E1 and neutral; then across E2 and neutral. In both cases, voltage reading should be 125-127 volts AC.
12. Set the generator's main circuit breaker to its OFF (or OPEN) position. Let the engine run at no-load for a few minutes to stabilize internal engine generator temperatures.
13. Set the generator's AUTO/OFF/MANUAL switch to OFF. The engine should shut down.

NOTE:

It is important not to proceed until certain that generator AC voltage and frequency are correct and within the stated limits.

2.5 GENERATOR TESTS UNDER LOAD

To test the generator set with electrical loads applied, proceed as follows:

1. Set generator's main circuit breaker to its OFF (or OPEN) position.
2. Turn OFF all breakers on the load center of the transfer box (T1 and T2).
3. Set the generator's AUTO/OFF/MANUAL switch to OFF.
4. Turn OFF the utility power supply to the transfer switch, using the means provided (such as a utility main line circuit breaker).

⚠ WARNING!

⚠ Do not attempt manual transfer switch operation until all power voltage supplies to the transfer switch have been positively turned off. Failure to turn off all power voltage supplies will result in extremely hazardous and possibly fatal electrical shock.

5. Manually set the transfer switch to the STANDBY position, i.e., load terminals connected to the generator's E1/E2 terminals. The transfer switch operating lever should be down.
6. Set the generator's AUTO/OFF/MANUAL switch to MANUAL. The engine should crank and start immediately.
7. Let the engine stabilize and warm up for a few minutes.
8. Set the generator's main circuit breaker to its ON (or CLOSED) position. Loads are now powered by the standby generator.
9. Turn ON the load center of the transfer switch (T1 and T2).
10. Connect an accurate AC voltmeter and a frequency meter across terminal lugs E1 and E2.
 - Voltage should be greater than 240 volts and frequency should be 60 Hz.
11. Let the generator run at full rated load for 20-30 minutes. Listen for unusual noises, vibration or other indications of abnormal operation. Check for oil leaks, evidence of overheating, etc.
12. When testing under load is complete, turn OFF electrical loads.
13. Set the generator's main circuit breaker to its OFF (or OPEN) position.
14. Let the engine run at no-load for a few minutes.
15. Set the AUTO/OFF/MANUAL switch to OFF. The engine should shut down.

2.6 CHECKING AUTOMATIC OPERATION

To check the system for proper automatic operation, proceed as follows:

1. Set generator's main circuit breaker to its OFF (or OPEN) position.
2. Check that the AUTO/OFF/MANUAL switch is set to OFF.
3. Turn OFF the utility power supply to the transfer switch, using means provided (such as a utility main line circuit breaker).
4. Manually set the transfer switch to the UTILITY position, i.e., load terminals connected to the utility power source side.
5. Turn ON the utility power supply to the transfer switch, using the means provided (such as a utility main line circuit breaker).
6. Set the generator's main circuit breaker to its ON (or CLOSED) position.
7. Set the AUTO/OFF/MANUAL switch to AUTO. The system is now ready for automatic operation.
8. Turn OFF the utility power supply to the transfer switch.

With the AUTO/OFF/MANUAL switch at AUTO, the engine should crank and start when the utility source power is turned OFF after a 10 second delay. After starting, the transfer switch should connect load circuits to the standby side after a five (5) second delay. Let the system go through its entire automatic sequence of operation.

With the generator running and loads powered by generator AC output, turn ON the utility power supply to the transfer switch. The following should occur:

- After about 15 seconds, the switch should transfer loads back to the utility power source.
- About one minute after re-transfer, the engine should shut down.

3.1 CONTROL PANEL INTERFACE

3.1.1 USING THE AUTO/OFF/MANUAL SWITCH

(FIGURE 3.1)

⚠ WARNING!

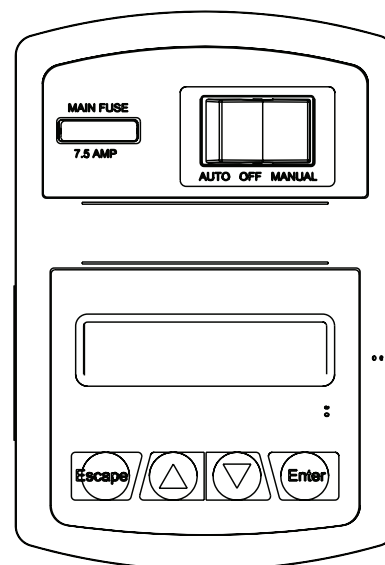
With the switch set to AUTO, the engine may crank and start at any time without warning. Such automatic starting occurs when utility power source voltage droops below a preset level or during the normal exercise cycle. To prevent possible injury that might be caused by such sudden starts, always set the switch to OFF and remove the fuses before working on or around the generator or transfer switch. Then, place a "DO NOT OPERATE" tag on the generator panel and on the transfer switch.

1. "AUTO" Position – Selecting this switch activates fully automatic system operation. It also allows the unit to automatically start and exercise the engine every seven days with the setting of the exercise timer (see the Setting the Exercise Timer section).
2. "OFF" Position – This switch position shuts down the engine. This position also prevents automatic operation.
3. "MANUAL" Position – Set the switch to MANUAL to crank and start the engine. Transfer to standby power will not occur unless there is a utility failure.

3.1.2 SETTING THE EXERCISE TIMER

This generator is equipped with an exercise timer. Once it is set, the generator will start and exercise every seven days, on the day of the week and at the time of day specified. During this exercise period, the unit runs for approximately 12 minutes and then shuts down. Transfer of loads to the generator output does not occur during the exercise cycle unless utility power is lost.

Figure 3.1 – 8/10/13/14/16/17 & 20kW Generator Control Panel



INSTALLATION ASSISTANT

Interconnect System Self Test Feature (follow the on-screen prompts)

Upon power up, this controller will go through a system self test which will check for the presence of utility voltage on the DC circuits. This is done to prevent damage if the installer mistakenly connects AC utility power sense wires into the DC terminal block. If utility voltage is detected, the controller will display a warning message and lock out the generator, preventing damage to the controller. Power to the controller must be removed to clear this warning.

Utility voltage must be turned on and present at the N1 and N2 terminals inside the generator control panel for this test to be performed and pass.

NOTE:

DAMAGE CAUSED BY MISWIRING OF THE INTERCONNECT WIRES IS NOT WARRANTABLE!

This test will be performed each time the controller is powered up.

Upon first power up of the generator, the display interface will begin an installation assistant. The assistant will prompt the user to set the minimum settings to operate. These settings are simply: Current Date/Time and Exercise Day/Time. The maintenance intervals will be initialized when the exercise time is entered (Figure 3.1).

The exercise settings can be changed at any time via the "EDIT" menu (see Appendix, "Menu System").

If the 12 volt battery is disconnected or the fuse removed, the Installation Assistant will operate upon power restoration. The only difference is the display will only prompt the customer for the current Time and Date.

IF THE INSTALLER TESTS THE GENERATOR PRIOR TO INSTALLATION, PRESS THE "ENTER" KEY TO AVOID SETTING UP THE EXERCISE TIME. THIS WILL ENSURE THAT WHEN THE CUSTOMER POWERS UP THE UNIT, HE WILL STILL BE PROMPTED TO ENTER AN EXERCISE TIME.

NOTE:

The exerciser will only work in the AUTO mode and will not work unless this procedure is performed. The current date/time will need to be reset every time the 12 volt battery is disconnected and then reconnected, and/or when the fuse is removed.

Low Speed Exercise

17 and 20kW units will run at 2,400 rpm.

Display Interface Menus

The LCD display is organized as detailed below:

- The "Home" page, this page is the default page which will be displayed if no keys are pressed for 30 seconds. This page normally shows the current Status message and the current date and time. The highest priority active Alarm and/or Warning will be automatically posted on this page as well as flashing the backlight when such an event is detected. In the case of multiple Alarms or Warnings, only the first message will be displayed. To clear an Alarm or Warning, see the Protection Systems section - Clear Alarm.
- The display backlight is normally off. If the user presses any key, the backlight will come on automatically and remain on for 30 seconds after the last key was pressed.
- The "Main Menu" page will allow the user to navigate to all other pages or sub-menus by using the Left/Right and Enter keys. This page can be accessed at any time with several presses of the dedicated Escape key. Each press of the Escape key takes you back to the previous menu until the main menu is reached. This page displays the following options: HISTORY; STATUS; EDIT; AND DEBUG. (See the Appendix - "Menu System".)

3.2 AUTOMATIC TRANSFER OPERATION

To select automatic operation, do the following:

1. Make sure the transfer switch main contacts are set to their UTILITY position, i.e., loads connected to the utility power source (Figure 3.1).
2. Be sure that normal UTILITY power source voltage is available to transfer switch terminal lugs N1 and N2 (Refer to the Electrical Data section).
3. Set the generator's AUTO/OFF/MANUAL switch to AUTO.
4. Set the generator's main circuit breaker to its ON (or CLOSED) position.

With the preceding steps complete, the generator will start automatically when utility source voltage drops below a preset level. After the unit starts, loads are transferred to the standby power source. Refer to the Sequence of Automatic Operation section.

3.3 SEQUENCE OF AUTOMATIC OPERATION

3.3.1 UTILITY FAILURE

Initial Conditions: Generator in Auto, ready to run, load being supplied by utility source. When utility fails (below 60% of nominal), a 10 second (optionally programmable on the 17 and 20kW only) line interrupt delay time is started. If the utility is still gone when the timer expires, the engine will crank and start. Once started, a five (5) second engine warm-up timer will be initiated. When the warm-up timer expires, the control will transfer the load to the generator. If the utility power is restored (above 80% of nominal) at any time from the initiation of the engine start until the generator is ready to accept load (5 second warm-up time has not elapsed), the controller will complete the start cycle and run the generator through its normal cool down cycle; however, the load will remain on the utility source.

3.3.2 CRANKING

The system will control the cyclic cranking as follows: 16 second crank, seven (7) second rest, 16 second crank, seven (7) second rest followed by three (3) additional cycles of seven (7) second cranks followed by seven (7) second rests.

Choke Operation

1. The 990/999cc engines have an electric choke in the air box that is automatically controlled by the electronic control board.
2. The 530cc engines have an electric choke on the divider panel air inlet hose that is automatically controlled by the electronic control board.
3. The 410cc engines have a choke behind the air box that is automatically controlled by the electronic control board.

Failure to Start

This is defined as any of the following occurrences during cranking:

1. Not reaching starter dropout within the specified crank cycle. Starter dropout is defined as four (4) cycles at 1,000 RPM.
2. Reaching starter dropout, but then not reaching 2200 RPM within 15 seconds. In this case the control board will go into a rest cycle for seven (7) seconds, then continue the rest of the crank cycle.

During a rest cycle the start and fuel outputs are de-energized and the magneto output is shorted to ground.

Cranking Conditions

The following notes apply during cranking cycle.

1. Starter motor will not engage within five (5) seconds of the engine shutting down.
2. The fuel output will not be energized with the starter.
3. The starter and magneto outputs will be energized together.
4. Once the starter is energized the control board will begin looking for engine rotation. If it does not see an RPM signal within three (3) seconds it will shut down and latch out on RPM sensor loss.
5. Once the control board sees an RPM signal it will energize the fuel solenoid, drive the throttle open and continue the crank sequence.
6. Starter motor will disengage when speed reaches starter dropout.
7. If the generator does not reach 2200 RPM within 15 seconds, re-crank cycle will occur.
8. If engine stops turning between starter dropout and 2200 RPM, the board will go into a rest cycle for seven (7) seconds then re-crank (if additional crank cycles exist).
9. Once started, the generator will wait for a hold-off period before starting to monitor oil pressure and oil temperature (refer to the Alarm Messages section for hold-off times).
10. During Manual start cranking, if the Mode switch is moved from the Manual position, the cranking stops immediately.
11. During Auto mode cranking, if the Utility returns, the cranking cycle does NOT abort but continues until complete. Once the engine starts, it will run for one (1) minute, then shut down.

3.3.3 LOAD TRANSFER

The transfer of load when the generator is running is dependent upon the operating mode as follows:

1. Manual
 - Will not transfer to generator if utility is present.
 - Will transfer to generator if utility fails (below 65% of nominal for 10 consecutive seconds).
 - Will transfer back when utility returns for 15 consecutive seconds. The engine will continue to run until removed from the Manual mode.

2. Auto
 - Will start and run if Utility fails for 10 consecutive seconds.
 - Will start a five (5) second engine warm-up timer.
 - Will not transfer if utility subsequently returns.
 - Will transfer to generator if utility is still not present.
 - Will transfer back to utility once utility returns (above 75% of nominal) for 15 seconds.
 - Will transfer back to utility if the generator is shut down for any reason (such as the switch is in the OFF position or a shutdown alarm).
 - After transfer, will shut down engine after one (1) minute cool-down time.
3. Exercise
 - Will not exercise if generator is already running in either Auto or Manual mode.
 - During exercise, the controller will only transfer if utility fails during exercise for 10 seconds, and will switch to Auto mode.

3.3.4 UTILITY RESTORED

Initial Condition: Generator supplying power to customer load. When the utility returns (above 80% of nominal), a 15 second return to utility timer will start. At the completion of this timer, if the utility supply is still present and acceptable, the control will transfer the load back to the utility and run the engine through a one (1) minute cool down period and then shut down. If utility fails for three (3) seconds during this cool down period, the control will transfer load back to the generator and continue to run while monitoring for utility to return.

3.4 MANUAL TRANSFER OPERATION

3.4.1 TRANSFER TO GENERATOR POWER SOURCE

To start the generator and activate the transfer switch manually, proceed as follows:

1. Set the generator's AUTO/OFF/MANUAL switch to OFF.
2. Set the generator's main circuit breaker to its OFF (or OPEN) position.
3. Turn OFF the utility power supply to the transfer switch using the means provided (such as a utility main line circuit breaker).

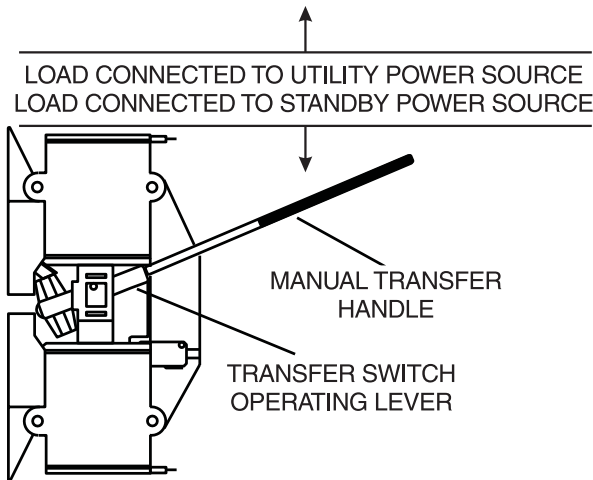
⚠ DANGER!

⚠ Do not attempt to activate the transfer switch manually until all power voltage supplies to the switch have been positively turned off. Failure to turn off all power voltage supplies may result in extremely hazardous and possibly fatal electrical shock.

4. Use the manual transfer handle inside the transfer switch to move the main contacts to their STANDBY position, i.e., loads connected to the standby power source (Figure 3.3).

Operation

Figure 3.3 – Manual Transfer Switch Operation



5. To crank and start the engine, set the AUTO/OFF/MANUAL switch to MANUAL.
6. Let the engine stabilize and warm up for a few minutes.
7. Set the generator's main circuit breaker to its ON (or CLOSED) position. The standby power source now powers the loads.

3.4.2 TRANSFER BACK TO UTILITY POWER SOURCE

When utility power has been restored, transfer back to that source and shut down the generator. This can be accomplished as follows:

1. Set the generator's main circuit breaker to its OFF (or OPEN) position.
2. Let the engine run for a minute or two at no-load to stabilize the internal temperatures.
3. Set the generator's AUTO/OFF/MANUAL switch to its OFF (or OPEN) position. The engine should shut down.
4. Check that utility power supply to the transfer switch is turned OFF.

⚠ DANGER!

⚠ Do not attempt to activate the transfer switch manually until all power voltage supplies to the switch have been positively turned off. Failure to turn off all power voltage supplies may result in extremely hazardous and possibly fatal electrical shock.

5. Use the manual transfer handle inside the transfer switch to move the main contacts back to their UTILITY position, i.e., loads connected to the utility power source (Figure 3.2).
6. Turn ON the utility power supply to the transfer switch using the means provided.
7. Set the system to automatic operation as outlined in Automatic Transfer Operation section.

3.5 SIDE COMPARTMENT

(FIGURES 3.4 & 3.5)

Local codes may require this compartment to be locked. A hasp is provided so the owner can secure the compartment with their own padlock. Check local codes in the area.

3.5.1 MAIN CIRCUIT BREAKER

This is a 2-pole breaker rated according to the Specifications section.

3.5.2 EXTERIOR READY LIGHTS

- Green LED 'Ready' light is on when utility is present and switch is in AUTO indicating the generator is ready and when the generator is running.
- Red LED 'Alarm' light is on when the generator is OFF or a fault is detected. (See the Protections Systems section.)
- Yellow LED 'Maintenance' light (See the Protections Systems section.)

3.5.3 120 VAC GFCI OUTLET & 15 AMP BREAKER (16, 17 & 20 KW ONLY)

These models are equipped with an external, 15 amp, 120 volt, GFCI convenience outlet that is located in a compartment on the right side of generator (Figure 1.3).

When the generator is running, in the absence of utility power, this outlet may also be used to power items outside your home such as lights or power tools. This outlet may also be used when utility power is present by running the generator in manual mode. This outlet does not provide power if the generator is not running. This outlet is protected by a 15 amp circuit breaker in the same compartment as the outlet. (Do not use when the generator is running in exercise mode.)

Figure 3.4 – Side Compartment



Figure 3.5 – Open Side Compartment

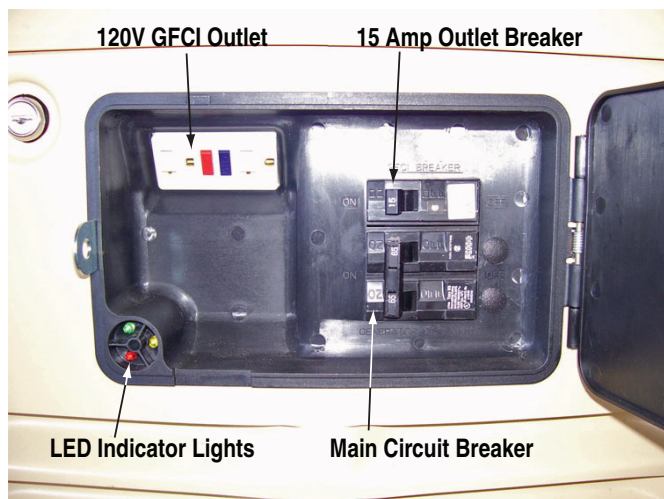
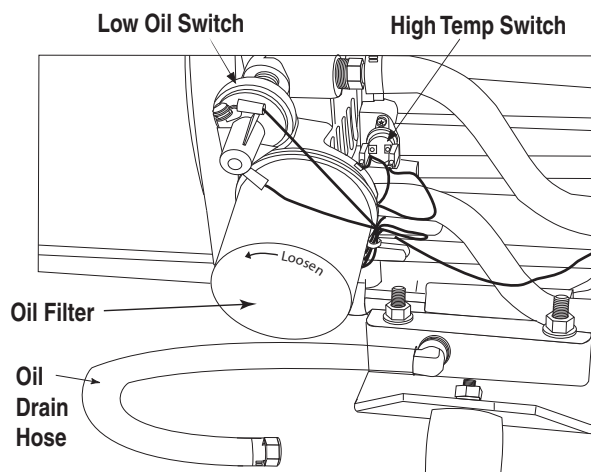


Figure 3.6 – Low Oil Pressure and High Temperature Switches



3.6 PROTECTION SYSTEMS

3.6.1 ALARMS

Highest Priority (Latching) Displayed on the control panel and the external red LED. They must be cleared before the alarm message goes away. The alarm log records each occurrence (see Appendix - "Menu System").

Low Oil Pressure (Shutdown Alarm)

A five (5) second delay on start-up and seven (7) second delay once the engine is running.

This switch (Figure 3.6) has normally closed contacts that are held open by engine oil pressure during operation. Should the oil pressure drop below the five (5) PSI range, switch contacts close and the engine shuts down. The unit should not be restarted until oil level is verified.

High Engine Temperature (Shutdown Alarm – Auto Reset)

A 10 second delay on start-up and one (1) second delay before shutdown. Auto reset when the condition clears and restart the engine if a valid start signal is still present.

This switch's contacts (Figure 3.6) close if the temperature should exceed approximately 144° C (293° F), initiating an engine shutdown. Once the oil temperature drops to a safe level the switch's contacts open again.

Over Crank (Shutdown Alarm)

This occurs if the engine has not started within the specified crank cycle. (See "Cranking" section.)

NOTE:

The oil drain hose may be routed in the opposite direction as shown in figure.

Over Speed (Shutdown Alarm)

4320 RPM for three (3) seconds or 4500 RPM immediately. This feature protects the generator from damage by shutting it down if it happens to run faster than the preset limit. This protection also prevents the generator from supplying an output that could potentially damage appliances connected to the generator circuit. Contact the nearest Dealer if this failure occurs.

RPM Sense Loss (Shutdown Alarm)

During cranking, if the Control Board does not see a valid RPM signal within three (3) seconds, it will shut down and lock out on RPM sense loss. While engine is running, if RPM signal is lost for one (1) second the Control Board will shut the engine down, wait 15 seconds, then re-crank the engine. If no RPM signal is detected within the first three (3) seconds of cranking, the Control Board will shut the engine down and latch out on RPM sensor loss. If the RPM signal is detected, the engine will start and run normally. If the RPM signal is subsequently lost again, the Control Board will try one more re-crank attempt before latching out and displaying the RPM sensor failure message.

Under-frequency (Shutdown Alarm)

After starting, if the generator stays under frequency for more than 30 seconds it will shut down. The under-frequency setting is 50 Hz.

Internal Fault (Shutdown Alarm)

This alarm cannot be cleared, call service dealer.

Undervoltage (Shutdown Alarm)

If the generator voltage falls below 60% of nominal for more than five (5) seconds, it shuts down.

Maintenance

Overvoltage (Shutdown Alarm)

If the generator voltage rises above 110% of rating for greater than three (3) seconds, an alarm will be issued and the unit will shut down.

If the generator voltage rises above 130% of rating for greater than 0.2 seconds, an alarm will be issued and the unit will shut down.

Clear Alarm

Clear the alarm by setting the AUTO/OFF/MANUAL switch to the OFF position. Press the ENTER key to unlatch any active fault and clear the corresponding alarm message.

3.6.2 WARNINGS

Second Priority (Non-latching) Displayed on the control panel and the external yellow LED (V-twins only). Warnings automatically clear when the monitored condition goes away. Warnings are recorded in the alarm log. Warnings cannot cause shutdowns.

Low Battery

The Control Board monitors battery voltage and displays a warning if the battery voltage falls below 11.9 volts for one (1) minute. Warning is automatically cleared if the battery voltage rises above 12.4 volts. Battery voltage is not monitored during the crank cycle.

Exercise Set Error

If the exercise period becomes corrupted, a warning message will be displayed. This message will only clear when the exercise period is reset.

3.6.3 MAINTENANCE ALERTS

Third priority

Maintenance Message

When a maintenance period expires, a warning message will be displayed. The alert can be reset by pressing the Enter key, which will cause the user to be prompted to confirm the action. Resetting will clear the alert and reset the maintenance counters for all conditions annunciated. The history log will record the alert. The maintenance counter will not accumulate without battery power. Once battery power is restored, the set time prompt will be displayed. The maintenance counters will be adjusted to the new time and date.

NOTE:

Since most maintenance alerts will occur at the same time (most have two (2) year intervals), only one will appear on the display at any one time. Once the first alert is cleared, the next active alert will be displayed.

4.1 FUSE

The 7.5 amp fuse on the control panel protects the DC control circuit against overload (Figures 3.1 and 3.2). This fuse is wired in series with the battery output lead to the panel. If this fuse element has melted open, the engine will not be able to crank or start. Replace this fuse using only an identical 7.5 amp replacement fuse. Whenever the fuse is removed or replaced, the exercise timer needs to be reset.

4.2 CHECKING THE ENGINE OIL LEVEL

For oil capacities, see the Specifications section. For engine oil recommendations, see the Engine Oil Recommendations section.

When power outages necessitate running the generator for extended periods of time, the oil level should be checked daily.

To check the engine oil level, proceed as follows (Figures 4.1, 4.2 and 4.3):

1. If the generator is running during a utility outage, first turn OFF all associated loads running in the residence. Second, turn the generator's main circuit breaker to the OFF position.
2. Move the AUTO/OFF/MANUAL switch to the OFF position.
3. Remove the dipstick and wipe it dry with a clean cloth.
4. Completely insert the dipstick; then, remove it again. The oil level should be at the dipstick "Full" mark. If necessary, add oil to the "Full" mark only. **DO NOT FILL ABOVE THE "FULL" MARK.**
5. Install the dipstick.
6. Reset the AUTO/OFF/MANUAL switch to its original position.
7. If the generator was running during a utility outage, first turn the generator's main circuit breaker back to the ON position. Second, turn ON needed loads in the residence.

▲ CAUTION!

▲ **Never operate the engine with the oil level below the "Add" mark on the dipstick. Doing this could damage the engine.**

Figure 4.1 — Oil Dipstick and Fill, 8kW

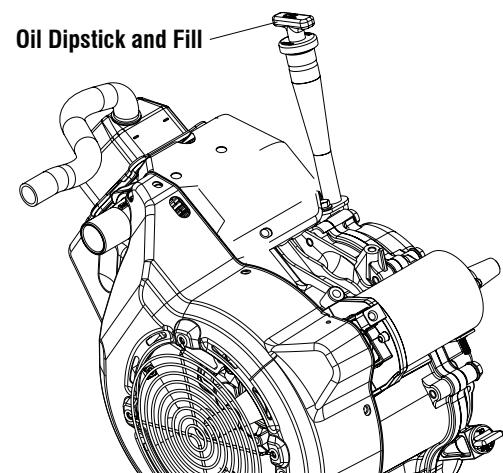
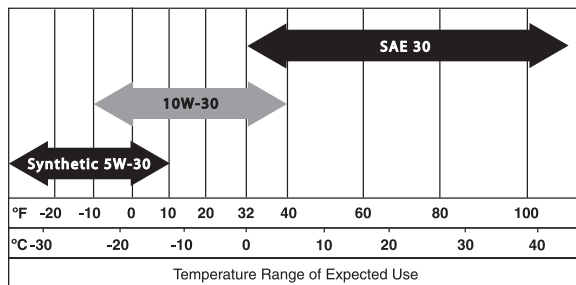
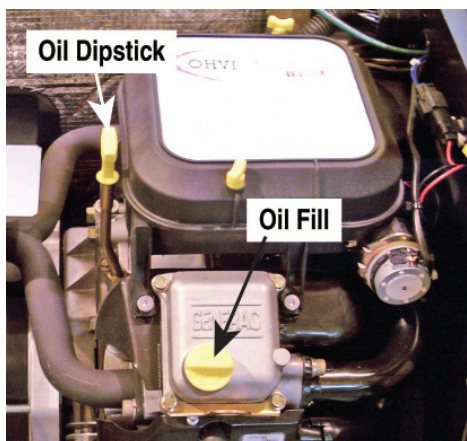


Figure 4.2 — Oil Dipstick, 10kW



Figure 4.3 — Oil Dipstick and Fill, 12, 14, 16, 17 & 20kW



⚠ CAUTION!

⚠ Any attempt to crank or start the engine before it has been properly serviced with the recommended oil may result in an engine failure.

4.3.3 OIL & OIL FILTER CHANGE PROCEDURE

To change the oil, proceed as follows:

1. Start the engine by moving the AUTO/OFF/MANUAL switch to MANUAL and run until it is thoroughly warmed up. Then shut OFF the engine by moving the switch to the OFF position.
2. Immediately after the engine shuts OFF, pull the oil drain hose (Figure 4.4) free of its retaining clip. Remove the cap from the hose and drain the oil into a suitable container.
3. After the oil has drained, replace the cap onto the end of the oil drain hose. Retain the hose in the clip.

Change the engine oil filter as follows:

1. With the oil drained, remove the old oil filter by turning it counterclockwise.
2. Apply a light coating of clean engine oil to the gasket of the new filter. See the Specifications section for recommended filter.
3. Screw the new filter on by hand until its gasket lightly contacts the oil filter adapter. Then, tighten the filter an additional 3/4 to one turn (Figure 4.4).
4. Refill with the proper recommended oil (see the Engine Oil Recommendations section). See the Specifications section for oil capacities.
5. Start the engine, run for one (1) minute, and check for leaks.
6. Shutdown and recheck oil level, add as needed. DO NOT OVER FILL.
7. Reset the AUTO/OFF/MANUAL switch to the AUTO position.
8. Dispose of used oil at a proper collection center.

NOTE:

The oil drain hose may be routed in the opposite direction as shown in figure.

4.3 CHANGING THE ENGINE OIL

⚠ CAUTION!

⚠ Hot oil may cause burns. Allow engine to cool before draining oil. Avoid prolonged or repeated skin exposure with used oil. Thoroughly wash exposed areas with soap.

4.3.1 OIL CHANGE INTERVALS

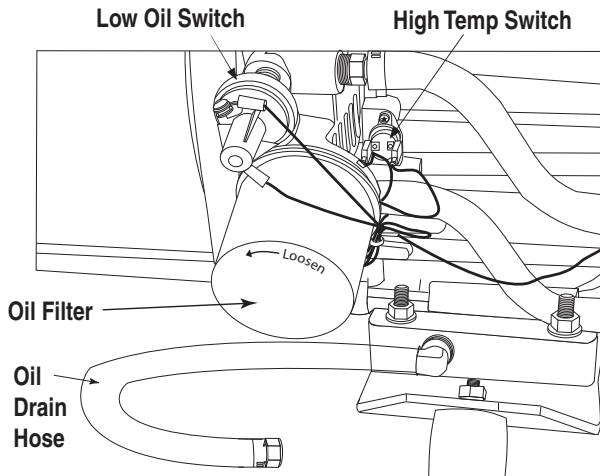
See the "Service Schedule" section.

4.3.2 ENGINE OIL RECOMMENDATIONS

All oil should meet minimum American Petroleum Institute (API) Service Class SJ, SL or better. Use no special additives. Select the oil's viscosity grade according to the expected operating temperature.

- SAE 30 → Above 32° F
- 10W-30 → Between 40° F and -10° F
- Synthetic 5W-30 → 10° F and below

Figure 4.4 – Oil Drain Hose and Filter



4.4 CHANGING THE ENGINE AIR CLEANER

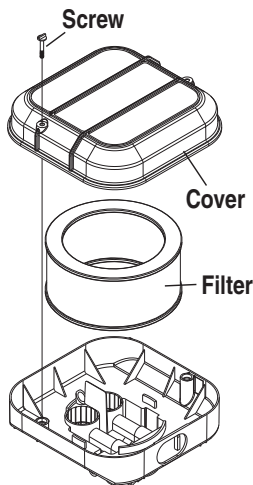
4.4.1 13, 14, 16, 17 & 20KW GENERATORS

See "The Generator" section for the location of the air cleaner. Use the following procedures (Figure 4.5):

1. Lift the roof and remove the door.
2. Turn the two screws counterclockwise to loosen.
3. Remove the cover and air filter.
4. Wipe away dust or debris from inside of the air box and around edges.
5. Install the new air cleaner into the air box.
6. Install the cover. Turn the two cover screws clockwise to tighten.

See the Service Schedule section for air cleaner maintenance. See the Specifications section for air filter replacement part number.

Figure 4.5 — 13, 14, 16, 17 & 20kW Engine Air Cleaner



4.4.2 10KW GENERATORS

See "The Generator" section for the location of the air cleaner. Use the following procedure (Figure 4.6):

1. Lift the roof and remove the door.
2. Turn the worm gear clamp screw counterclockwise to loosen.
3. Pull the old filter off the divider panel hub.
4. Wipe away dust or debris from the panel hub.
5. Install the new air cleaner onto the hub.
6. Turn the worm gear clamp screw clockwise to tighten.
7. Replace door and roof.

Figure 4.6 — 10kW Engine Air Cleaner

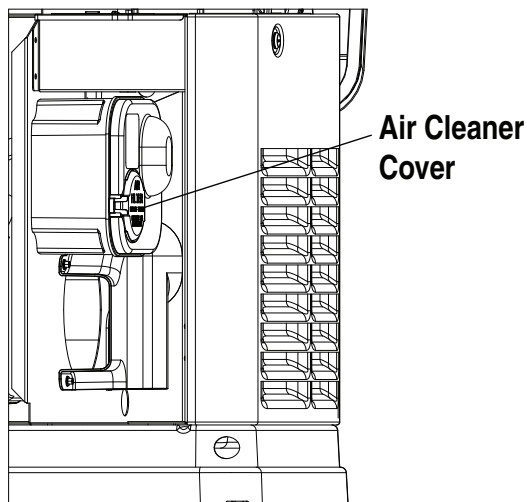


4.4.3 8KW GENERATOR

See "The Generator" section to locate the air box. Use the following procedures to replace the dirty air filter within the air box (Figure 4.7).

1. Lift the roof and remove the door.
2. Push back on the latch of the yellow air filter access door to swing open.
3. Pull out the old air filter and discard appropriately.
4. Install the new filter, open end first into the air box.
5. Swing the yellow door shut and snap to close.
6. Replace door and close roof securely.

Figure 4.7 — 8kW Engine Air Cleaner Location

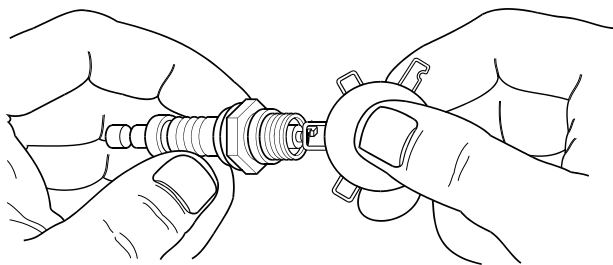


4.5 SPARK PLUG(S)

Reset the spark plug(s) gap or replace the spark plug(s) as necessary. See the Service Schedule section for maintenance requirements.

1. Clean the area around the base of the spark plug(s) to keep dirt and debris out of the engine.
2. Remove the spark plug(s) and check the condition. Replace the spark plug(s) if worn or if reuse is questionable. See the Service Schedule section for recommended inspection. Clean by scraping or washing using a wire brush and commercial solvent. Do not blast the spark plug(s) to clean.
3. Check the spark plug gap using a wire feeler gauge. Adjust the gap to 0.76 mm (0.030 inch) for 8, 10 and 20kW; and 1.02 mm (0.040 inch) for 13, 14, 16 and 17kW by carefully bending the ground electrode (Figure 4.8).

Figure 4.8 – Setting the Spark Plug Gap



4.6 BATTERY MAINTENANCE

The battery should be inspected per the "Service Schedule" section. The following procedure should be followed for inspection:

1. Inspect the battery posts and cables for tightness and corrosion. Tighten and clean as necessary.
2. Check the battery fluid level of unsealed batteries and, if necessary, fill with Distilled Water Only. Do not use tap water in batteries.
3. Have the state of charge and condition checked. This should be done with an automotive-type battery hydrometer.

⚠ DANGER!

⚠ Do not dispose of the battery in a fire. The battery is capable of exploding.

⚠ A battery presents a risk of electrical shock and high short circuit current. The following precautions are to be observed when working on batteries:

- Remove the 7.5A fuse from the generator control panel.
- Remove watches, rings or other metal objects;
- Use tools with insulated handles;
- Wear rubber gloves and boots;
- Do not lay tools or metal parts on top of the battery; and
- Disconnect charging source prior to connecting or disconnecting battery terminals.

⚠ WARNING!

⚠ Do not open or mutilate the battery. Released electrolyte has been known to be harmful to the skin and eyes, and to be toxic.

⚠ The electrolyte is a dilute sulfuric acid that is harmful to the skin and eyes. It is electrically conductive and corrosive. The following procedures are to be observed:

- Wear full eye protection and protective clothing;
- Where electrolyte contacts the skin, wash it off immediately with water;
- Where electrolyte contacts the eyes, flush thoroughly and immediately with water and seek medical attention; and
- Spilled electrolyte is to be washed down with an acid neutralizing agent. A common practice is to use a solution of 1 pound (500 grams) bicarbonate of soda to 1 gallon (4 liters) of water. The bicarbonate of soda solution is to be added until the evidence of reaction (foaming) has ceased. The resulting liquid is to be flushed with water and the area dried.

⚠ Lead-acid batteries present a risk of fire because they generate hydrogen gas. The following procedures are to be followed:

Maintenance

- **DO NOT SMOKE** when near the battery;
- **DO NOT cause flame or spark in battery area; and**
- **Discharge static electricity from body before touching the battery by first touching a grounded metal surface.**

! Be sure the **AUTO/OFF/MANUAL** switch is set to the **OFF** position before connecting the battery cables. If the switch is set to **AUTO** or **MANUAL**, the generator can crank and start as soon as the battery cables are connected.

! Be sure the utility power supply is turned off and the 7.5A fuse is removed from the generator control panel, or sparking may occur at the battery posts as the cables are attached and cause an explosion.

4.7 ADJUSTING GH-410/GT-530/ 990/999 VALVE CLEARANCE

After the first six (6) months of operation, check the valve clearance in the engine, adjust if necessary.

Important: If feeling uncomfortable about doing this procedure or the proper tools are not available, please contact the Dealer for service assistance. This is a very important step to ensure longest life for the engine.

To check valve clearance:

- The engine should be cool before checking. If valve clearance is 0.002" - 0.004" (0.05 - 0.1mm), adjustment is not needed.
- Remove spark plug wires and position wires away from plugs.
- Remove spark plugs.
- Make sure the piston is at Top Dead Center (TDC) of its compression stroke (both valves closed). To get the piston at TDC, remove the intake screen at the front of the engine to gain access to the flywheel nut. Use a large socket and socket wrench to rotate the nut and hence the engine in a clockwise direction. While watching the piston through the spark plug hole. The piston should move up and down. The piston is at TDC when it is at its highest point of travel.

To adjust valve clearance (if necessary), (Figure 4.9):

- Make sure the engine is at 60° to 80° F.
- Make sure that the spark plug wire is removed from the spark plug and out of the way.
- Remove the four screws attaching the valve cover.
- Loosen the rocker jam nut. Use a 10mm allen wrench to turn the pivot ball stud while checking clearance between the rocker arm and the valve stem with a feeler gauge. Correct clearance is 0.002-0.004 inch (0.05-0.1 mm).

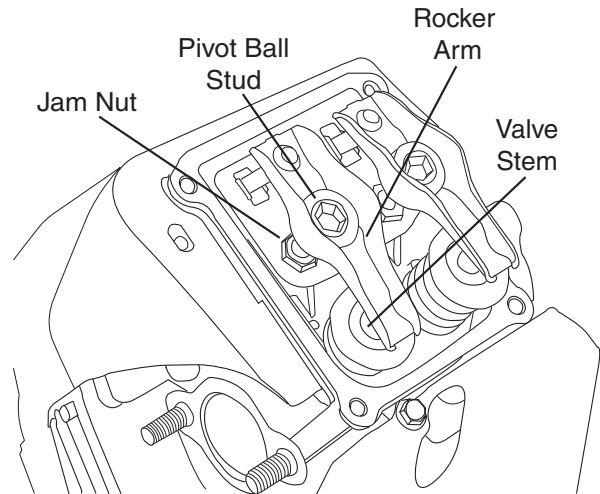
NOTE:

Hold the rocker arm jam nut in place as the pivot ball stud is turned.

When valve clearance is correct, hold the pivot ball stud in place with the allen wrench and tighten the rocker arm jam nut. Tighten the jam nut to 174 in/lbs. torque. After tightening the jam nut, recheck valve clearance to make sure it did not change.

- Install new valve cover gasket.
- Re-attach the valve cover.

Figure 4.9 - Valve Clearance Adjustment



NOTE:

Start all four screws before tightening or it will not be possible to get all the screws in place. Make sure the valve cover gasket is in place.

- Install spark plugs.
- Re-attach the spark plug wire to the spark plug.
- On the GT-530 and GT-990/999, repeat the process for the other cylinder.

4.8 COOLING SYSTEM

Air inlet and outlet openings in the generator compartment must be open and unobstructed for continued proper operation. This includes such obstructions as high grass, weeds, brush, leaves and snow.

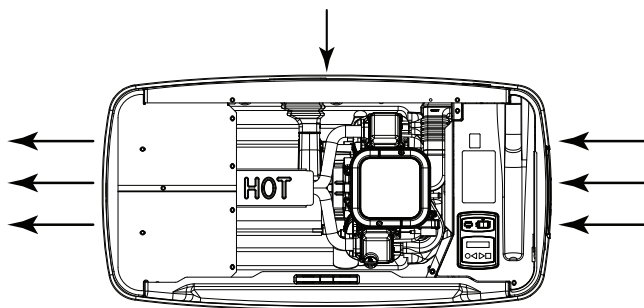
Without sufficient cooling and ventilating air flow, the engine/generator quickly overheats, which causes it to quickly shut down. (See Figure 4.10 for vent locations.)

Make sure the doors and roof are in place during operation as running the generator with them removed can effect cooling air movement.

! WARNING!

! The exhaust from this product gets extremely hot and remains hot after shutdown. High grass, weeds, brush, leaves, etc. must remain clear of the exhaust. Such materials may ignite and burn from the heat of the exhaust system.

Figure 4.10 – Cooling Vent Locations



4.9 ATTENTION AFTER SUBMERSION

If the generator has been submerged in water, it **MUST NOT** be started and operated. Following any submersion in water, have a Dealer thoroughly clean, dry and inspect the generator. If the structure (ex. home) has been flooded, it should be inspected by a certified electrician to ensure there won't be any electrical problems during generator operation or when utility is returned.

4.10 CORROSION PROTECTION

Periodically wash and wax the enclosure using automotive type products. Frequent washing is recommended in salt water/coastal areas. Spray engine linkages with a light oil such as WD-40.

4.11 OUT OF SERVICE PROCEDURE

4.11.1 REMOVAL FROM SERVICE

If the generator cannot be exercised every seven days, and will be out of service longer than 90 days, prepare the generator for storage as follows:

1. Start the engine and let it warm up.
2. Close the fuel shutoff valve in the fuel supply line and allow the unit to shut down.
3. Once the unit has shut down, switch to the OFF position.
4. Set the generator's main circuit breaker to its OFF (or OPEN) position.
5. Set the AUTO/OFF/MANUAL switch to OFF and turn off the utility power to the transfer switch. Remove the 7.5A fuse from the generator control panel. Disconnect the battery cables as outlined in "General Hazards".
6. While the engine is still warm from running, drain the oil completely. Refill the crankcase with oil. See "Engine Oil Recommendations".
7. Attach a tag to the engine indicating the viscosity and classification of the oil in the crankcase.
8. Remove the spark plug(s) and spray fogging agent into the spark plug(s) threaded openings. Reinstall and tighten the spark plug(s).
9. Remove the battery and store it in a cool, dry room on a wooden board. Never store the battery on any concrete or earthen floor.

10. Clean and wipe the entire generator.

4.11.2 RETURN TO SERVICE

To return the unit to service after storage, proceed as follows:

1. Verify that utility power is turned off and that the AUTO/OFF/MANUAL switch is set to OFF.
2. Check the tag on the engine for oil viscosity and classification. Verify that the correct recommended oil is used in the engine (see the Engine Oil Recommendations section). If necessary, drain and refill with the proper oil.
3. Check the state of the battery. Fill all cells of unsealed batteries to the proper level with distilled water. **DO NOT USE TAP WATER IN THE BATTERY.** Recharge the battery to 100 percent state of charge, or, if defective, replace the battery. See "Specifications," for type and size.
4. Clean and wipe the entire generator.
5. Make sure the 7.5A fuse is removed from the generator control panel. Reconnect the battery. Observe battery polarity. Damage may occur if the battery is connected incorrectly.
6. Open the fuel shutoff valve.
7. Insert the 7.5A fuse into the generator control panel. Start the unit by moving the AUTO/OFF/MANUAL switch to MANUAL. Allow the unit to warm up thoroughly.
8. Stop the unit by setting the AUTO/OFF/MANUAL switch to OFF.
9. Turn on the utility power to the transfer switch.
10. Set the AUTO/OFF/MANUAL switch to AUTO.
11. The generator is now ready for service.

NOTE:

If the battery was dead or disconnected, the exercise timer, current date and time must be reset.

4.11.3 ACCESSORIES

There are performance enhancing accessories available for the air-cooled generators.

- **Cold Weather Kits** are recommended in areas where temperatures regularly fall below 10° F (-12° C).
- **Scheduled Maintenance Kits** include all pieces necessary to perform maintenance on the generator along with oil recommendations.
- **Auxiliary Transfer Switch Lockout** enables any of the transfer switches to completely lock out one large electrical load by tying into its control system.
- **A Fascia Skirt Wrap** is standard on all 20kW units. It's available for all other current production air-cooled units. It snaps together to provide a smoothing, contoured look as well as rodent/insect protection.
- **The Remote Monitor System** is a wireless, indoor mounted, box that indicates generator run status and allows for exercise programming as well as provide maintenance reminders.
- **Touch-up Paint Kits** are very important to maintain the look and integrity of the generator enclosure. These kits include touch-up paint and instructions if the need should arise.

For more details on accessories, please contact a Dealer.

Maintenance

4.12 SERVICE SCHEDULE

ATTENTION: It is recommended that all service work be performed by the nearest Dealer.

SYSTEM/COMPONENT	PROCEDURE			FREQUENCY
X = Action R = Replace as Necessary * = Notify Dealer if Repair is Needed.	Inspect	Change	Clean	W = Weekly M = Monthly Y = Yearly
FUEL				
Fuel lines and connections*	X			M
LUBRICATION				
Oil level	X			M or 24 hours of continuous operation.
Oil		X		2Y or 200 hours of operation.**
Oil filter		X		2Y or 200 hours of operation.**
COOLING				
Enclosure louvers	X		X	W
BATTERY				
Remove corrosion, ensure dryness	X		X	M
Clean and tighten battery terminals	X		X	M
Check charge state	X	R		EVERY 6 M
Electrolyte level	X	R		EVERY 6 M
ENGINE AND MOUNTING				
Air cleaner	X	R		2Y or 200 hours
Spark plug(s)	X	R		2Y or 200 hours
GENERAL CONDITION				
Vibration, Noise, Leakage, Temperature*	X			M
COMPLETE TUNE-UP*	TO BE COMPLETED BY A DEALER			2Y or 200 hours
* Contact the nearest dealer for assistance if necessary.				
** Change oil and filter after first eight (8) hours of operation and then every 200 hours thereafter, or 2 years, whichever occurs first. Change sooner when operating under a heavy load or in a dusty or dirty environment or in high ambient temperatures.				

5.1 TROUBLESHOOTING GUIDE

Problem	Cause	Correction
The engine will not crank.	<ol style="list-style-type: none"> 1. Fuse blown. 2. Loose, corroded or defective battery cables. 3. Defective starter contactor. (8 kW) 4. Defective starter motor. 5. Dead Battery. 	<ol style="list-style-type: none"> 1. Correct short circuit condition, replace 7.5A fuse in generator control panel. 2. Tighten, clean or replace as necessary. 3. * 4. * 5. Charge or replace battery.
The engine cranks but will not start.	<ol style="list-style-type: none"> 1. Out of fuel. 2. Defective fuel solenoid (FS). 3. Open #14 wire from engine control board. 4. Fouled spark plug(s). 5. Valve lash out of adjustment. 6. Choke not operating. 	<ol style="list-style-type: none"> 1. Replenish fuel/Turn on fuel valve. 2. * 3. * 4. Clean, re-gap or replace plug(s). 5. Reset valve lash. 6. Verify choke plate moves freely.
The engine starts hard and runs rough.	<ol style="list-style-type: none"> 1. Air cleaner plugged or damaged. 2. Fouled spark plug(s). 3. Fuel pressure incorrect. 4. Fuel selector in wrong position. 5. Choke remains closed. 	<ol style="list-style-type: none"> 1. Check, replace air cleaner. 2. Clean, re-gap or replace plug(s). 3. Confirm fuel pressure to regulator is 10-12" water column (0.36-0.43 psi) for LP, and 5-7" water column (0.18-0.25 psi) for natural gas. 4. Move selector to correct position. 5. Verify choke plate moves freely.
The AUTO/OFF/MANUAL switch is set to OFF, but the engine continues to run.	<ol style="list-style-type: none"> 1. Defective switch. 2. AUTO/OFF/MANUAL switch wired incorrectly. 3. Defective control board. 	<ol style="list-style-type: none"> 1. * 2. * 3. *
There is no AC output from the generator.	<ol style="list-style-type: none"> 1. Main line circuit breaker is in the OFF (or OPEN) position. 2. Generator internal failure. 	<ol style="list-style-type: none"> 1. Reset circuit breaker to ON (or CLOSED). 2. *
There is no transfer to standby after utility source failure.	<ol style="list-style-type: none"> 1. Defective transfer switch coil. 2. Defective transfer relay. 3. Transfer relay circuit open. 4. Defective control logic board. 	<ol style="list-style-type: none"> 1. * 2. * 3. * 4. *
Unit consumes large amounts of oil.	<ol style="list-style-type: none"> 1. Engine over filled with oil. 2. Improper type or viscosity of oil. 3. Damaged gasket, seal or hose. 4. Engine breather defective. 	<ol style="list-style-type: none"> 1. Adjust oil to proper level. 2. See "Engine Oil Recommendations". 3. Check for oil leaks. 4. *

***Contact the nearest Dealer for assistance.**

6.1 MENU SYSTEM NAVIGATION

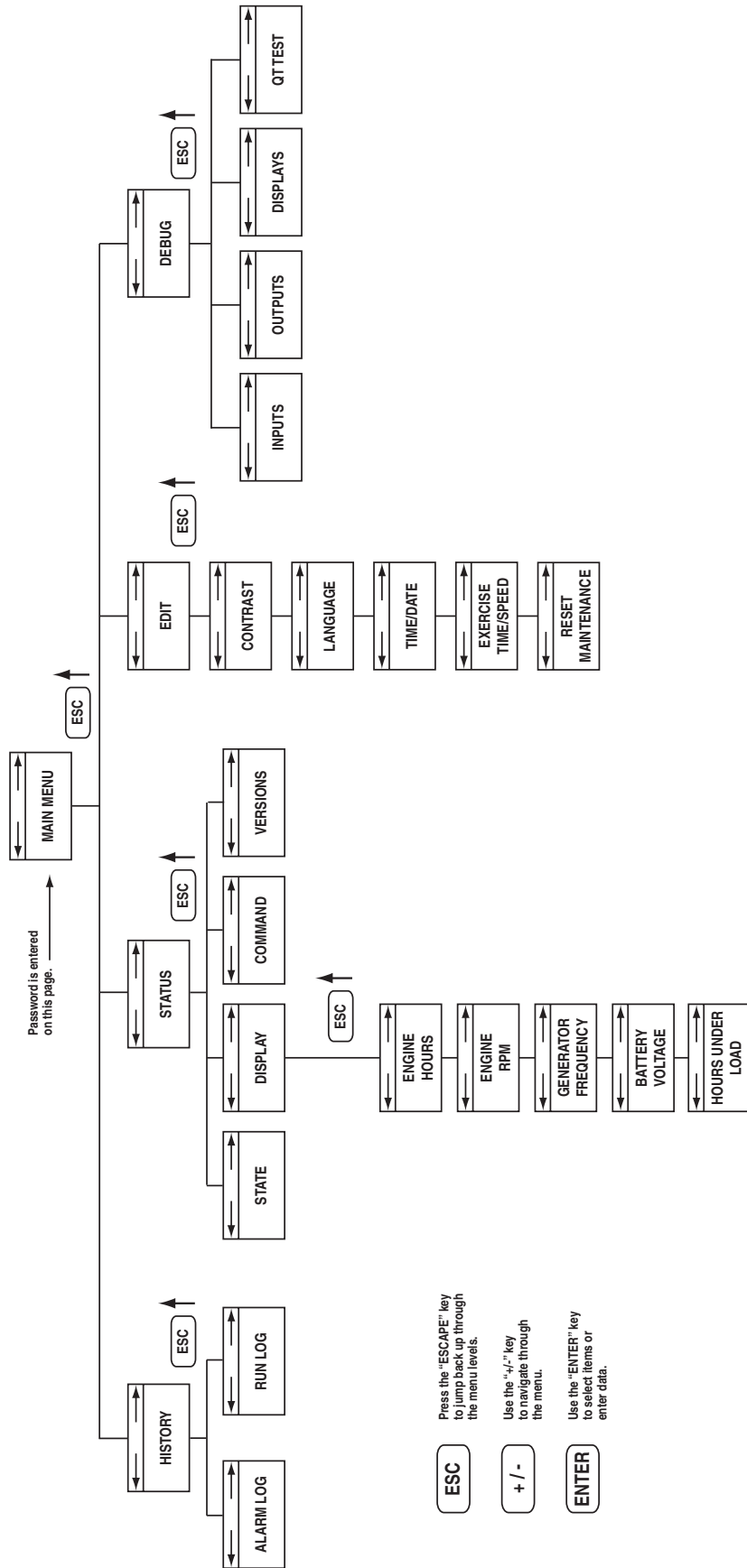
To get to the MENU, use the "Esc" key from any page. It may need to be pressed many times before getting to the menu page. The currently selected menu is displayed as a flashing word. Navigate to the menu required by using the +/- keys. When the menu required is flashing, press the ENTER key. Depending on the menu selected, there may be a list of choices presented. Use the same navigation method to select the the desired screen (refer to the Menu System diagram).

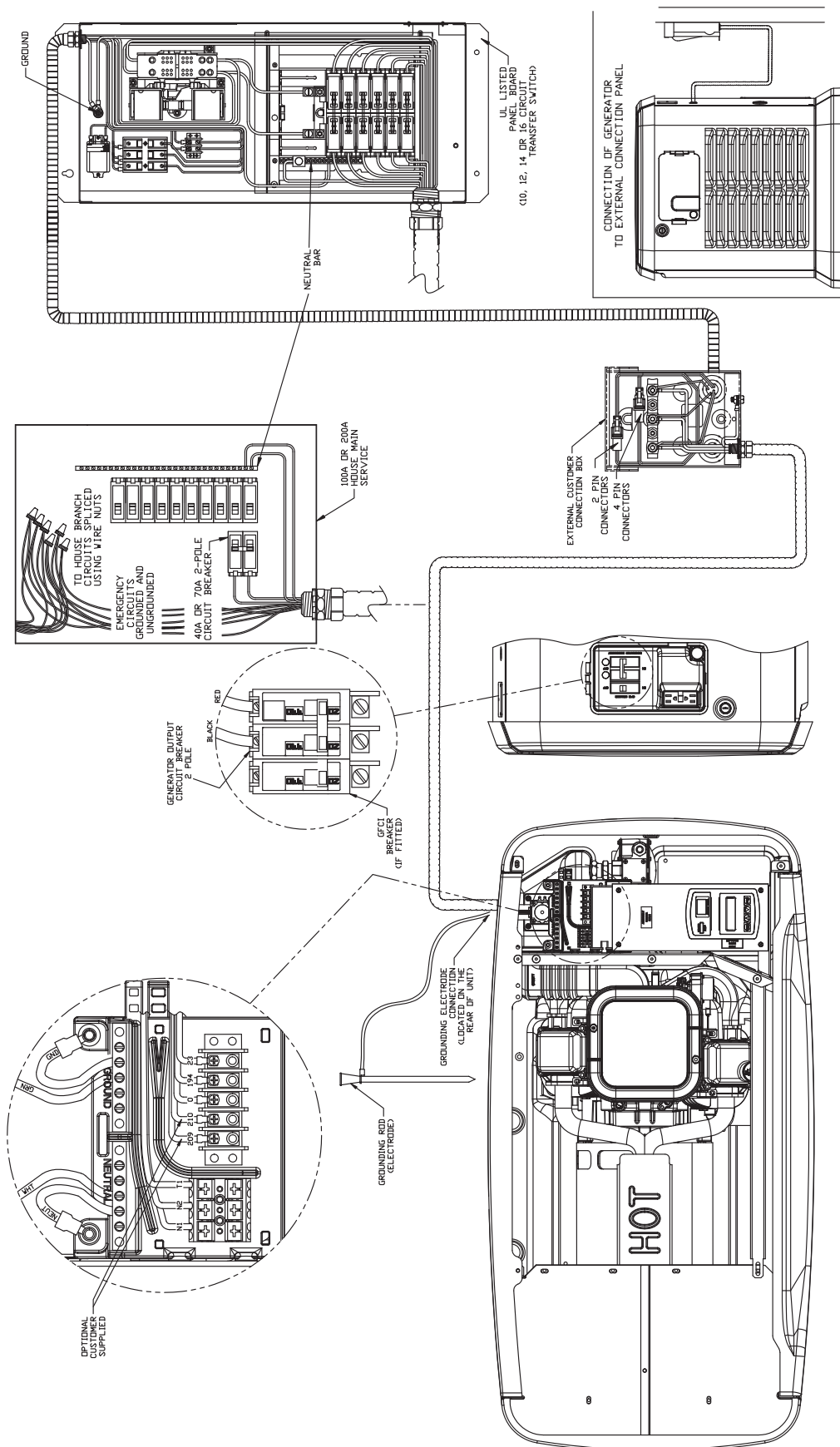
6.1.1 CHANGING SETTINGS (EDIT MENU)

To change a setting such as display contrast, go to the EDIT menu and use the +/- keys to navigate to the setting to change. Once this setting is displayed (e.g. Contrast), press the ENTER key to go into the edit mode. Use the +/- keys to change the setting, press the ENTER key to store the new setting.

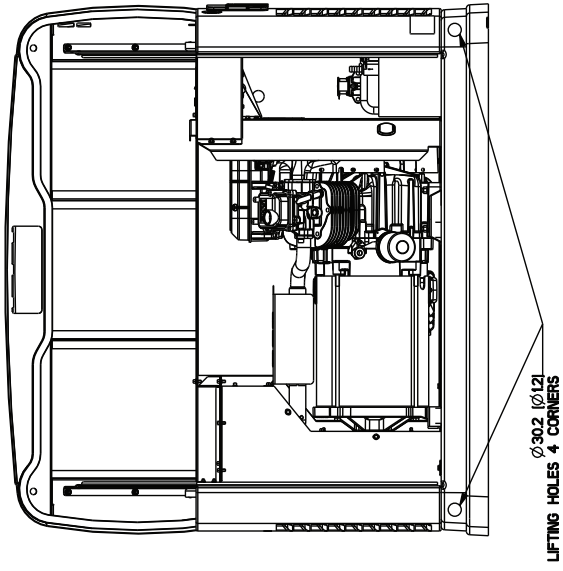
NOTE:

If the ENTER key is not pressed to save the new setting, it will only be saved temporarily. The next time the battery is disconnected, the setting will revert back to the old setting.

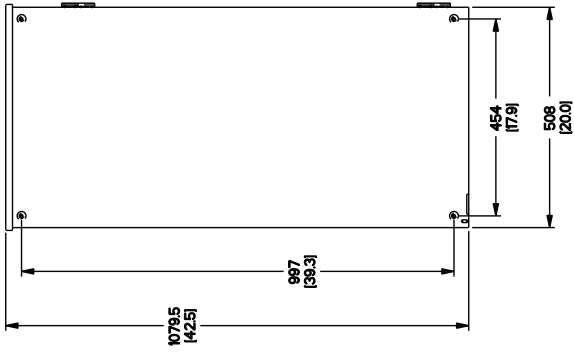




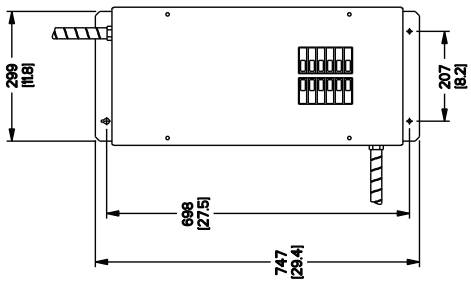
Installation Diagrams



Ø30.2 (Ø121)
LIFTING HOLES 4 CORNERS

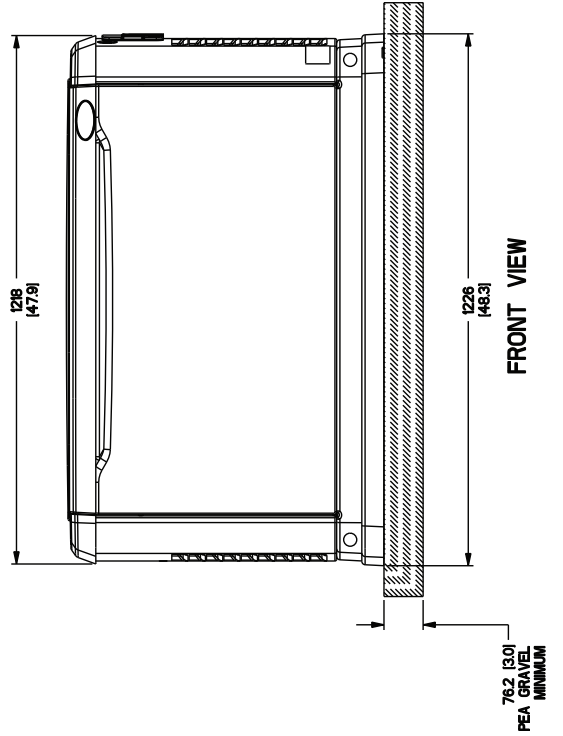


TRANSFER SWITCH
20KW
(IF SUPPLIED)

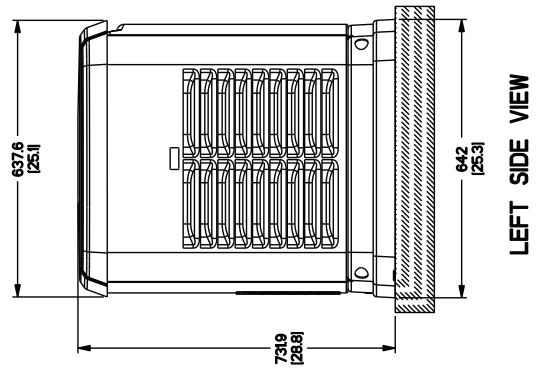


TRANSFER SWITCH
8KW - 17KW
(IF SUPPLIED)

"DO NOT LIFT BY ROOF"

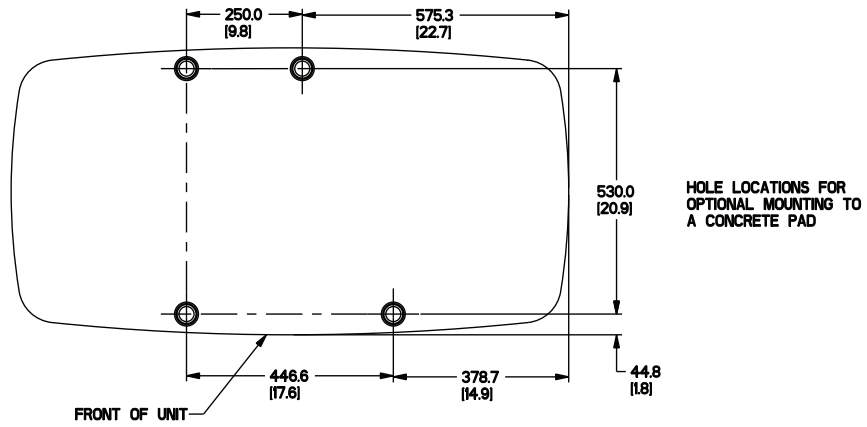
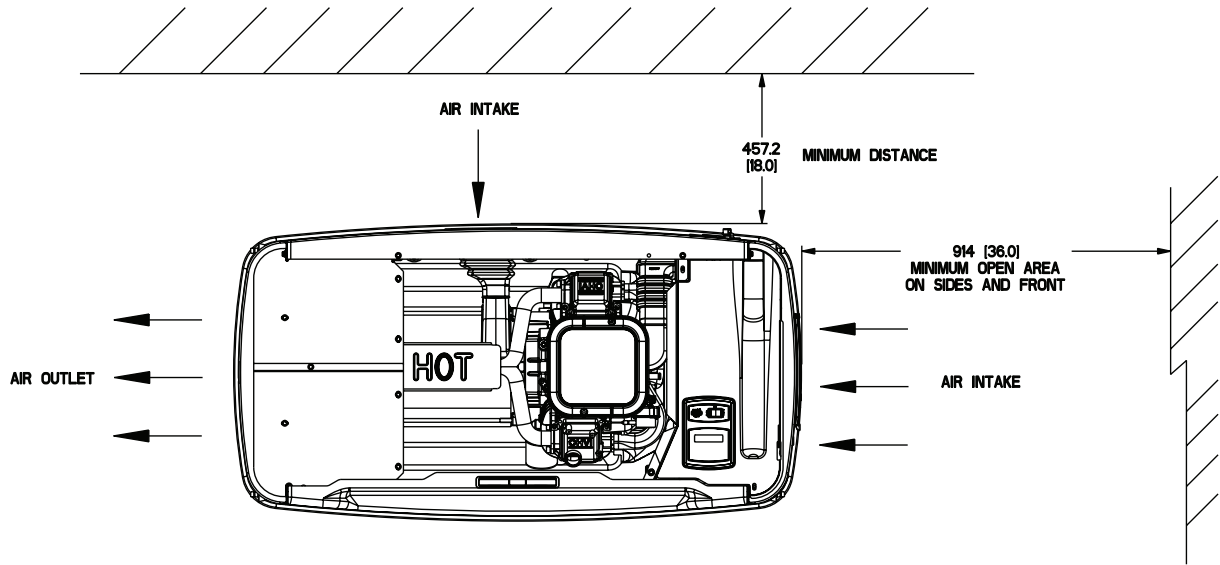


FRONT VIEW



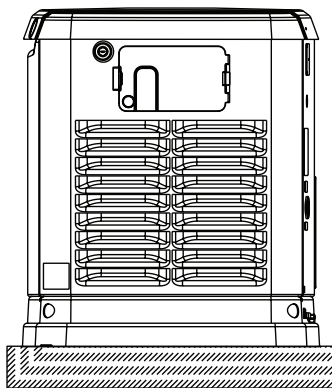
LEFT SIDE VIEW

Installation Diagrams

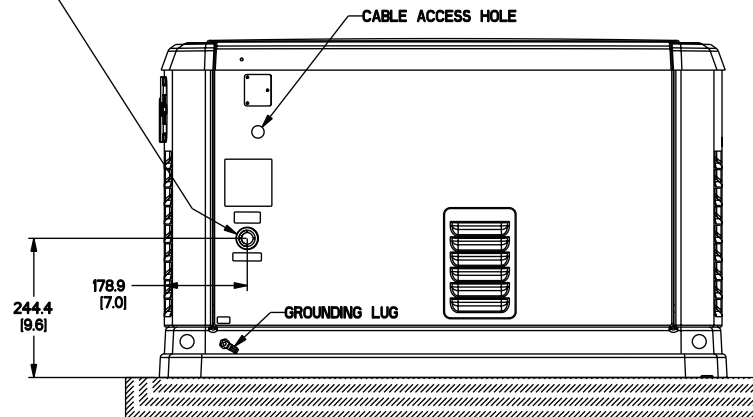


FUEL INLET - 12-20KW (1/2" NPT)
8 & 10KW (3/4" NPT) - USE SUPPLIED ADAPTER

REQUIRED FUEL PRESSURE: NATURAL GAS : 5-7" WATER COLUMN
LIQUID PROPANE (VAPOR) : 10-12" WATER COLUMN



RIGHT SIDE VIEW



REAR VIEW

••ALL DIMENSIONS IN:
MILLIMETERS (INCHES)

FOR GENERATORS 10KW AND BELOW

FEDERAL EMISSION CONTROL WARRANTY STATEMENT YOUR WARRANTY RIGHTS AND OBLIGATIONS

The United States Environmental Protection Agency (EPA) and Generac Power Systems, Inc. (Generac) are pleased to explain the Emission Control System warranty on your new 2008 and later equipment. New equipment that use small spark-ignited engines must be designed, built, and equipped to meet stringent anti-smog standards for the federal government. Generac will warrant the emission control system on your generator for the period of time listed below provided there has been no abuse, neglect, unapproved modification or improper maintenance of your equipment.

Your emission control system may include parts such as the: carburetor, ignition system, fuel system, catalytic converter, and other associated emission-related components (if equipped).

MANUFACTURER'S WARRANTY COVERAGE:

This emission control system is warranted for two years. If, during such warranty period, any emission-related part on your equipment is found to be defective in materials or workmanship, repairs or replacement will be performed by a Generac Authorized Warranty Service Dealer.

OWNER'S WARRANTY RESPONSIBILITIES:

As the generator owner, you are responsible for the completion of all required maintenance as listed in your factory supplied Owner's Manual. For warranty purposes, Generac recommends that you retain all receipts covering maintenance on your generator, but Generac cannot deny warranty solely due to the lack of receipts.

As the generator owner, you should be aware that Generac may deny any and/or all warranty coverage or responsibility if your generator, or a part/component thereof, has failed due to abuse, neglect, improper maintenance or unapproved modifications, or the use of counterfeit and/or "grey market" parts not made, supplied or approved by Generac.

You are responsible for contacting a Generac Authorized Warranty Dealer as soon as a problem occurs. The warranty repairs should be completed in a reasonable amount of time, not to exceed 30 days.

Warranty service can be arranged by contacting either your selling dealer or a Generac Authorized Warranty Service Dealer. To locate the Generac Authorized Warranty Service Dealer nearest you, call our toll free number:

1-800-333-1322

IMPORTANT NOTE: This warranty statement explains your rights and obligations under the Emission Control System Warranty (ECS Warranty), which is provided to you by Generac pursuant to federal law. See also the "Generac Limited Warranties for Generac Power Systems, Inc.," which is enclosed herewith on a separate sheet, also provided to you by Generac. Note that this warranty shall not apply to any incidental, consequential or indirect damages caused by defects in materials or workmanship or any delay in repair or replacement of the defective part(s). This warranty is in place of all other warranties, expressed or implied. Specifically, Generac makes no other warranties as to the merchantability or fitness for a particular purpose. Some states do not allow limitations on how long an implied warranty lasts, so the above limitation may not apply to you.

The ECS Warranty applies only to the emission control system of your new equipment. If there is any conflict in terms between the ECS Warranty and the Generac Warranty, the Generac Warranty shall apply. Both the ECS Warranty and the Generac Warranty describe important rights and obligations with respect to your new engine.

Warranty service can be performed only by a Generac Authorized Warranty Service Facility. When requesting warranty service, evidence must be presented showing the date of the sale to the original purchaser/owner.

If you have any questions regarding your warranty rights and responsibilities, you should contact Generac at the following address:

**ATTENTION WARRANTY DEPARTMENT
GENERAC POWER SYSTEMS, INC.
P.O. BOX 297 • WHITEWATER, WI 53190**

EMISSION CONTROL SYSTEM WARRANTY

Emission Control System Warranty (ECS warranty) for equipment using small spark-ignited engines:

- (a) **Applicability:** This warranty shall apply to equipment that uses small off-road engines. The ECS Warranty period shall begin on the date the new equipment is purchased by/delivered to its original, end-use purchaser/owner and shall continue for 24 consecutive months thereafter.
- (b) **General Emissions Warranty Coverage:** Generac warrants to the original, end-use purchaser/owner of the new engine or equipment and to each subsequent purchaser/owner that the ECS when installed was:
 - (1) Designed, built and equipped so as to conform with all applicable regulations; and
 - (2) Free from defects in materials and workmanship which cause the failure of a warranted part at any time during the ECS Warranty Period.
- (c) The warranty on emissions-related parts will be interpreted as follows:
 - (1) Any warranted part that is not scheduled for replacement as required maintenance in the Owner's Manual shall be warranted for the ECS Warranty Period. If any such part fails during the ECS Warranty Period, it shall be repaired or replaced by Generac according to Subsection (4) below. Any such part repaired or replaced under the ECS Warranty shall be warranted for the remainder of the ECS Warranty Period.
 - (2) Any warranted part that is scheduled only for regular inspection as specified in the Owner's Manual shall be warranted for the ECS Warranty Period. A statement in the Owner's Manual to the effect of "repair or replace as necessary" shall not reduce the ECS Warranty Period. Any such part repaired or replaced under the ECS Warranty shall be warranted for the remainder of the ECS Warranty Period.
 - (3) Any warranted part that is scheduled for replacement as required maintenance in the Owner's Manual shall be warranted for the period of time prior to first scheduled replacement point for that part. If the part fails prior to the first scheduled replacement, the part shall be repaired or replaced by Generac according to Subsection (4) below. Any such emissions-related part repaired or replaced under the ECS warranty shall be warranted for the remainder of the period prior to the first scheduled replacement point for that part.
 - (4) Repair or replacement of any warranted, emissions-related part under this ECS Warranty shall be performed at no charge to the owner at a Generac Authorized Warranty Service Facility.
 - (5) Notwithstanding the provisions of subsection (4) above, warranty services or repairs must be provided at Generac Authorized Service Facilities.
 - (6) When the engine is inspected by a Generac Authorized Warranty Service Facility, the purchaser/owner shall not be held responsible for diagnostic costs if the repair is deemed warrantable.
 - (7) Throughout the ECS Warranty Period, Generac shall maintain a supply of warranted emission-related parts sufficient to meet the expected demand for such parts.
 - (8) Any Generac authorized and approved emission-related replacement parts may be used in the performance of any ECS warranty maintenance or repairs and will be provided without charge to the purchaser/owner. Such use shall not reduce Generac ECS Warranty obligations.
 - (9) Unapproved, add-on, modified, counterfeit and/or "grey market" parts may not be used to modify or repair a Generac engine. Such use voids this ECS Warranty and shall be sufficient grounds for disallowing an ECS Warranty claim. Generac shall not be held liable hereunder for failures of any warranted parts of Generac equipment caused by the use of such an unapproved, add-on, modified, counterfeit and/or "grey market" part.

EMISSION RELATED PARTS MAY INCLUDE THE FOLLOWING (IF EQUIPPED):

- | | |
|--|--|
| <ul style="list-style-type: none"> 1) FUEL METERING SYSTEM <ul style="list-style-type: none"> A. CARBURETOR AND INTERNAL PARTS B. PRESSURE REGULATOR 2) AIR INDUCTION SYSTEM <ul style="list-style-type: none"> A. INTAKE MANIFOLD B. AIR FILTER 3) IGNITION SYSTEM <ul style="list-style-type: none"> A. SPARK PLUGS B. IGNITION COILS / MODULE | <ul style="list-style-type: none"> 4) AIR INJECTION SYSTEM <ul style="list-style-type: none"> A. PULSE AIR VALVE 5) EXHAUST SYSTEM <ul style="list-style-type: none"> A. CATALYST B. THERMAL REACTOR C. EXHAUST MANIFOLD |
|--|--|

Part 2

FOR GENERATORS 13KW AND ABOVE

United States Environmental Protection Agency Warranty Statement

Warranty Rights, Obligations and Coverage

The United States Environmental Protection Agency (EPA) and Generac Power Systems, Inc. (Generac), are pleased to explain the Emission Control System Warranty on your new stationary emergency engine. If during the warranty period, any emission control system or component on your engine is found defective in materials or workmanship Generac will repair your engine at no cost to you for diagnosis, replacement parts and labor provided it be done by a Generac Authorized Warranty Service Facility. Your emission control system may include parts such as the fuel metering, ignition, and exhaust systems and other related emission related components listed below. Generac will warrant the emissions control systems on your 2009 and later model year engines provided there has been no abuse, neglect, unapproved modification or improper maintenance of your engine. For engines less than 130 HP the warranty period is two years from the date of sale to the ultimate purchaser. For engines greater than or equal to 130 HP the warranty period is three year from the date of the engine being placed into service.

Purchaser's/Owner's Warranty Responsibilities

As the engine purchaser/owner you are responsible for the following. 1.) The engine must be installed and configured in accordance to the Generac's installation specifications. 2.) The completion of all maintenance requirements listed in your Owner's Manual. 3.) Any engine setting adjustment must be done in accordance and consistent with the instructions in the Owner's Manual. 4.) Any emission control system or component must be maintained and operated appropriately in order to ensure proper operation of the engine and control system to minimize emissions at all times.

Generac may deny any/or all Emission Control System Warranty coverage or responsibility of the engine, or an emission control system or component on your engine thereof, if it has failed due to abuse, neglect, unapproved modification or improper maintenance, or the use of counterfeit and/or 'gray market' parts not made, supplied or approved by Generac. Warranty service/scheduled maintenance can be arranged by contacting your selling dealer or a Generac Authorized Warranty Service dealer, 888-GENERAC (888-436-3722) or www.generac.com for the dealer nearest you. The purchaser/owner shall be responsible for any expenses or other charges incurred for service calls and/or transportation of the product to/from the inspection or repair facilities. The purchaser/owner shall be responsible for any and/or all damages or losses incurred while the engine is being transported/shipped for inspection or warranty repairs. Contact Generac Power Systems Inc. for additional Emission Control System Warranty related information, Generac Power Systems, Inc. P.O. Box 8, Waukesha, WI 53187, Phone 888-GENERAC (888-436-3722) or www.generac.com

Emission Related Parts Include the Following (if so equipped)

- | | |
|---|--|
| 1) Fuel Metering System | 3) Ignition System including |
| 1.1) Gasoline Carburetor assembly and internal components | a) Spark plug, b) Ignition module, |
| a) Fuel filter, b) Carburetor, c) Fuel Pump | c) Ignition coil, d) Spark plug wirers |
| 1.2) Carburetion assembly and its components | 4) Exhaust system |
| a) Fuel controller, b) Carburetor and its gaskets, | a) Catalyst assembly, b) Exhaust manifold, |
| c) Mixer and it gaskets, d) Primary gas regulator | c) Muffler, d) Exhaust pipe, e) Muffler gasket |
| e) Liquid vaporizer | 5) Crankcase Breather Assembly including |
| 1.3) Fuel Regulator | a) Breather connection tube, b) PCV valve |
| 2) Air Induction System including | 6) Oxygen Sensor |
| a) Intake pipe/manifold, b) Air cleaner | 7) Diagnostic Emission-Control System |

Part 1

United States Environmental Protection Agency Compliance Requirements

Purchaser's/Owner's Recordkeeping Responsibilities

The United States Environmental Protection Agency (EPA) and Generac Power Systems, Inc. (Generac), are pleased to explain your recordkeeping requirements for compliance with Subpart JJJJ – Standards of Performance for Stationary Spark Ignition Internal Combustion Engines as listed in the Electronic Code of Federal Regulations Title 40 Part 60. As the engine purchaser/owner who operates and maintains their certified emergency stationary engine and emission control system according to applicable emission related guidelines as specified in this Owner's Manual you are required to meet the following notification and recordkeeping requirements to demonstrate compliance. 1.) Maintain documentation that the engine is certified to meet emission standards. 2.) Recordkeeping of maintenance conducted. 3.) Recordkeeping of the provision allowing natural gas engines to operate using propane for a maximum of 100 hours per year as an alternate fuel solely during emergency operations provided the engine is not certified to operate on propane. 4.) Meet all compliance notifications submitted to the purchaser/owner and maintain all supporting documentation. 5.) Recordkeeping of hours of operation, including what classified the operation as emergency and how many hours are spent for non-emergency operation. For emergency engines greater than or equal to 130 HP, recordkeeping of hours of operation begins January 1, 2011. For emergency engines less than 130 HP, recordkeeping of hours of operation begins January 1, 2009; Engines are equipped with non-resettable hour meters to facilitate recordkeeping.

Specific Air Quality Management or Air Pollution Control Districts may have different and additional record keeping/ reporting requirements. Your permit to construct and/or operate the engine may be contingent upon compliance with those requirements. Check with your local Air Quality Management or Air Pollution Control District for specific requirements.

Emergency stationary internal combustion engines (ICE) may be operated for the purpose of maintenance checks and readiness testing, provided that the tests are recommended by Federal, State or local government, Generac, or the insurance company associated with the engine. Maintenance checks and readiness testing of such units is limited to 100 hours per year. There is no time limit on the use of emergency stationary ICE in emergency situations. The purchaser/owner may petition the Administrator for approval of additional hours to be used for maintenance checks and readiness testing, but a petition is not required if the owner maintains records indicating that Federal, State, or local standards require maintenance and testing of emergency ICE beyond 100 hours per year. Emergency stationary ICE may operate up to 50 hours per year in non-emergency situations, but those 50 hours are counted towards the 100 hours per year provided for maintenance and testing. The 50 hours per year for non-emergency situations cannot be used for peak shaving or to generate income for a facility to supply power to an electric grid or otherwise supply power as part of a financial arrangement with another entity. For purchaser/owner of emergency engines, any operation other than emergency operation, maintenance and testing, and operation in non-emergency situations for 50 hours per year, as permitted in this section is prohibited.

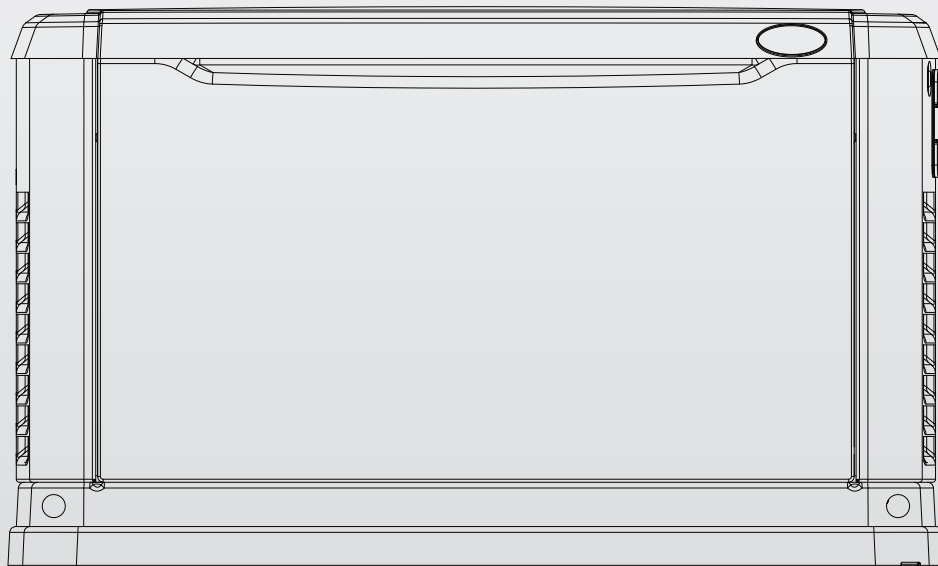
If you operate and maintain your certified emergency stationary SI internal combustion engine and emissions control systems in accordance to the specifications and guidelines in this Owner's Manual EPA will not require engine performance testing. If not, your engine will be considered non-certified and you must demonstrate compliance according to Subpart JJJJ – Standards of Performance for Stationary Spark Ignition Internal Combustion Engines as listed in the Electronic Code of Federal Regulations Title 40 Part 60.

Emission-Related Installation Instructions

Your certified emergency stationary engine has pre-set emission control systems or components that require no adjustment. Inspection and replacement of an emissions related component is required to be done so in accordance with the requirements cited in the United States Environmental Protection Agency Warranty Statement or can be arranged by contacting your selling dealer or a Generac Authorized Warranty Service dealer, 888-GENERAC (888-436-3722) or www.generac.com for the dealer nearest you. Failing to follow these instructions when installing a certified engine in a piece of nonroad equipment violates federal law 40 CFR 1068.105 (b), subject to fines or penalties as described in the Clean Air Act.

Part 2

Manual del propietario



Enfriado por aire de 8, 10, 13, 14, 16, 17 & 20kW
Generadores automáticos de respaldo

Tabla de contenidos

Introducción 43

Lea este manual completamente43

Reglas de seguridad 43

Contenido43

Operación y mantenimiento43

Cómo obtener servicio43

Índice de estándares45

Información general 46

1.1 Desempaque/inspección46

1.2 Sistemas de protección46

1.3 Requerimiento de NEC para interrupción de circuito
por falla de arco interruptor para dormitorios46

1.4 Información de emisiones47

1.5 El generador48

1.6 Especificaciones49

1.7 Listo para funcionar50

1.8 Requerimientos y recomendaciones de combustible50

1.9 Consumo de combustible50

1.10 Reconfiguración del sistema de combustible51

1.11 Ubicación52

1.12 Requerimientos de batería53

1.13 Instalación de la batería55

1.14 La batería55

1.15 Cargador de la batería56

Arranque luego de la instalación y ajustes 56

2.1 Activación del generador56

2.2 Antes del arranque inicial56

2.3 Revisar operación de interruptor de transferencia56

2.4 Revisión eléctrica58

2.5 Pruebas del generador bajo carga58

2.6 Revisión de la operación automática59

Operación 59

3.1 Interfaz del panel de control59

3.2 Operación de transferencia automática60

3.3 Secuencia de operación automática60

3.4 Operación de transferencia manual61

3.5 Compartimiento lateral62

3.6 Sistemas de protección63

Mantenimiento 64

4.1 Fusible64

4.2 Revisar el nivel de aceite de motor64

4.3 Cambio del aceite de motor65

4.4 Cambio del limpiador de aire del motor66

4.5 Bujía(s)67

4.6 Mantenimiento de la batería67

4.7 Ajuste de claridad de válvula GH-410/GT-530/990/99968

4.8 Sistema de refrigeración68

4.9 Atención luego de la inmersión69

4.10 Protección contra corrosión69

4.11 Procedimiento fuera de servicio69

4.12 Agenda de servicio70

Detección de fallas 71

5.1 Guía de detección de problemas71

Apéndice 72

6.1 Navegación en el sistema de menú72

Garantía 74

INTRODUCCIÓN

Gracias por comprar este generador compacto impulsado por motor, refrigerado por aire, de alto rendimiento. Está diseñado para proveer energía eléctrica en forma automática para operar cargas críticas durante una falla de la electricidad comercial.

Esta unidad está instalada de fábrica en una caja metálica para todo clima y **prevista exclusivamente para su instalación en exteriores**. Este generador operará usando ya sea propano líquido en vapor (LP) o gas natural (GN).

NOTA:

Este generador es adecuado para suministrar cargas residenciales típicas como motores de inducción (bombas, refrigeradores, aires acondicionados, chimeneas, etc), componentes electrónicos (computadoras, monitores, televisores, etc.), cargas de iluminación y microondas.

LEA ESTE MANUAL COMPLETAMENTE

Si alguna parte de este manual no se entiende bien, póngase en contacto con el concesionario más cercano para conocer los procedimientos de arranque, operación y servicio.

REGLAS DE SEGURIDAD

A lo largo de esta publicación, y en lo que respecta a las etiquetas y calcomanías fijadas en el generador, los bloques de PELIGRO, ADVERTENCIA, CUIDADO Y NOTA se usan para alertar al personal sobre instrucciones especiales sobre una operación en particular que puede ser peligrosa si se ejecuta en forma incorrecta o sin cuidado. Obsérvelas con cuidado. Sus definiciones son como sigue:

⚠ PELIGRO

INDICA UNA SITUACIÓN PELIGROSA O ACCIÓN QUE, SI NO SE EVITA, TRAERÁ COMO RESULTADO LA MUERTE O UN DAÑO SERIO.

⚠ ADVERTENCIA

Indica una situación peligrosa o acción que, si no se evita, podría traer como resultado la muerte o un daño serio.

⚠ CUIDADO


Indica una situación peligrosa o acción que, si no se evita, puede traer como resultado un daño menor o moderado.

NOTA:

Las notas contienen información adicional importante para un procedimiento y se les encontrará dentro del cuerpo de este manual.

Estas advertencias de seguridad no pueden eliminar los peligros que indican. El sentido común y un estricto cumplimiento de las instrucciones especiales cuando se realiza la acción o servicio son esenciales para evitar accidentes.

Cuatro símbolos de seguridad usados comúnmente acompañan los bloques de PELIGRO, ADVERTENCIA y CUIDADO. El tipo de información que cada uno indica es como sigue:

 Este símbolo señala importante información de seguridad que, si no se sigue, puede poner en peligro la seguridad personal y/o las propiedades de otros.

 Este símbolo indica un peligro potencial de explosión.

 Este símbolo indica un peligro potencial de incendio.

 Este símbolo indica un peligro potencial de choque eléctrico.

El operador es responsable del uso apropiado y seguro de este equipo. El fabricante recomienda encarecidamente que el operador lea este *Manual de Propietario* y entienda completamente todas las instrucciones antes de usar este equipo. El fabricante asimismo recomienda con igual firmeza el instruir a otros usuarios para arrancar y operar apropiadamente la unidad. Esto los prepara si necesitan operar el equipo en alguna emergencia.

CONTENIDO

Este manual contiene información pertinente al propietario de estos modelos:

- 7 kW NG, 8 kW LP, motor de un cilindro GH-410
- 9 kW NG, 10 kW LP, motor V-twin GH-530
- 13 kW NG, 13 kW LP, motor V-twin GH-990
- 13 kW NG, 14 kW LP, motor V-twin GH-990
- 16 kW NG, 16 kW LP, motor V-twin GH-990
- 16 kW NG, 17 kW LP, motor V-twin GH-990
- 18 kW NG, 20 kW LP, motor V-twin GH-999

OPERACIÓN Y MANTENIMIENTO

Es responsabilidad del operador el realizar todos los chequeos de seguridad, asegurarse de que se haya realizado adecuadamente todo el mantenimiento para una segura operación, y hacer revisar periódicamente el equipo por un concesionario. El normal mantenimiento y reemplazo de piezas son de responsabilidad del propietario/operador y, como tal, no se considera defectos de material ni mano de obra dentro de los términos de la garantía. Los hábitos individuales de operación y uso contribuyen a la necesidad de servicio de mantenimiento.

Un mantenimiento apropiado y el cuidado del generador aseguran un número mínimo de problemas y mantienen los gastos operativos al mínimo. Consulte a su concesionario para que lo ayude en el servicio y con los accesorios.

CÓMO OBTENER SERVICIO

Cuando el generador requiere servicio o repuestos, busque ayuda con el concesionario. Los técnicos de servicio están capacitados en fábrica y son capaces de manejar todas las necesidades de servicio.

Al ponerse en contacto con un concesionario respecto a repuestos y servicio, siempre proporcione el número de modelo y de serie de la unidad tal como está en la calcomanía de datos, ubicada en el generador. Vea la ubicación de la calcomanía en la sección de "El Generador".

Modelo No. _____ Serie No. _____

Muestra de etiqueta de datos

MODEL	<input type="text"/>
SERIAL	<input type="text"/>
VOLTS	<input type="text"/>
AMPS	<input type="text"/>
1 PH, 60 Hz, RPM 3600 RAINPROOF ENCLOSURE FITTED CLASS H INSULATION RATED AMBIENT TEMP - 25°C FOR STANDBY SERVICE NEUTRAL FLOATING MAX LOAD UNBALANCE-50%	
WHITEWATER, WIS MADE IN U.S.A.	

Instrucciones de seguridad importantes

! **GUARDE ESTAS INSTRUCCIONES** – El fabricante sugiere que estas reglas para la operación segura se copien y publiquen cerca del sitio de instalación de la unidad. Debe insistirse en la seguridad para todos los operadores y potenciales operadores de este equipo.

Estudie estas REGLAS DE SEGURIDAD con cuidado antes de instalar, operar o dar servicio a este equipo. Familiarícese con este *Manual del propietario* y con la unidad. El generador puede operar en forma segura, eficiente y confiable sólo si se le instala, se le opera y mantiene en forma apropiada. Muchos accidentes son causados por no seguir reglas o precauciones simples y fundamentales.

El fabricante no puede anticipar todas las posibles circunstancias que puedan involucrar peligros. Las advertencias en este manual y en las etiquetas y calcomanías fijadas en la unidad son, por tanto, no completamente inclusivas. Si se usa un procedimiento, método de trabajo o técnica de operación que el fabricante no recomienda específicamente, asegúrese de que sea seguro para los demás. Asimismo asegúrese que el procedimiento, método de trabajo o técnica de operación utilizada no vuelva inseguro al generador.

! PELIGRO

! **A despecho del muy seguro diseño de este generador, el operar este equipo en forma imprudente, con deficiente mantenimiento o en forma descuidada, puede causar posibles daños o la muerte. Permita sólo que personas responsables y capaces instalen, operen y den mantenimiento a este equipo.**

! **Estas máquinas generan voltajes potencialmente letales. Asegúrese de que se haya tomado todos los pasos para hacer la máquina segura antes de intentar trabajar en el generador.**

! **Partes del generador están girando y/o calientes durante la operación. Tenga mucho cuidado en las cercanías de los generadores en funcionamiento.**

! **La instalación debe siempre cumplir con los códigos, estándares, leyes y regulaciones aplicables.**

! **Un generador en funcionamiento expone al monóxido de carbono, un gas venenoso sin color ni aroma. La inhalación de monóxido de carbono puede causar dolor de cabeza, fatiga, mareos náuseas, vómitos, ataques o muerte.**

PELIGROS GENERALES

- Por razones de seguridad, el fabricante recomienda que a este equipo se le dé servicio, sea instalado y reparado por un concesionario de servicio u otro electricista calificado o un técnico de instalación competente que esté familiarizado con los códigos, estándares y regulaciones aplicables. El operador también debe cumplir estos códigos, estándares y regulaciones.
- Los humos del escape del motor contienen monóxido de carbono, que puede ser MORTAL. Este gas peligroso, si se aspira en concentraciones suficientes, puede hacerle perder la conciencia y causarle la muerte. NO altere ni agregue nada al sistema de escape ni haga nada que pueda volver inseguro al sistema o que no cumpla con los códigos y estándares aplicables.

- Instale una alarma de monóxido de carbono operada con baterías en los interiores, de acuerdo a las recomendaciones e instrucciones del fabricante.
- El flujo adecuado y sin obstrucciones de aire para ventilación y refrigeración es crítico para la correcta operación del generador. No altere la instalación ni permita que haya siquiera un bloqueo parcial de la provisión de ventilación, ya que esto puede afectar seriamente la operación segura del generador. **El generador DEBE ser instalado y operado sólo en exteriores.**
- Mantenga las manos, pies, ropa, etc. lejos de las correas de tracción, ventiladores y otras partes móviles o calientes. Nunca retire correa de tracción alguna o protección de ventilador mientras la unidad esté operando.
- Al trabajar con este equipo, manténgase alerta en todo momento. Nunca trabaje en el equipo cuando esté física o mentalmente fatigado.
- Inspeccione el generador con regularidad, y póngase en contacto con el concesionario más cercano si necesita repararlo o conseguir repuestos.
- Antes de realizar cualquier mantenimiento al generador, desconecte los cables de su batería para evitar un arranque accidental. Desconecte primero el cable del borne de la batería indicado como NEGATIVO, NEG; o (-) y luego retire el cable POSITIVO, POS o (+). Al reconectar los cables, conecte el cable POSITIVO primero, luego el cable NEGATIVO al final.
- Nunca use el generador ni alguna de sus partes como escalón. Pararse sobre la unidad puede tensar y romper partes, y puede traer como resultado condiciones peligrosas de operación como escape de gases, combustible o aceite.

PELIGROS DEL ESCAPE

- El escape del motor del generador contiene el MORTAL monóxido de carbono, un gas venenoso sin olor ni color. El inhalar el monóxido de carbono puede causar: mareos, dolor de cabeza, náuseas, espasmos musculares, vómitos, debilidad y somnolencia, incapacidad de pensar claramente, desvanecimientos, inconciencia e inclusive la muerte. Si usted experimenta cualquier síntoma de envenenamiento por monóxido de carbono, vaya a un lugar con aire fresco y busque atención médica inmediata.
- Nunca opere el generador con el vehículo dentro de algún garaje u otras áreas cerradas.

PELIGROS ELÉCTRICOS

- Todos los generadores cubiertos por este manual producen voltajes eléctricos peligrosos y pueden causar descargas eléctricas fatales. El servicio eléctrico doméstico entrega voltajes altos y peligrosos al interruptor de transferencia como lo hace el generador cuando está en operación. Evite el contacto con cables pelados, terminales conexiones, etc. mientras la unidad está funcionando. Asegúrese que todas las cubiertas, protecciones y barreras apropiadas se encuentren en su lugar y/o bloqueadas antes de operar el generador. Si es necesario trabajar alrededor de una unidad en operación, párese sobre una superficie seca y aislada para reducir el peligro de choque eléctrico.
- No manipule ningún tipo de dispositivo eléctrico mientras esté de pie sobre agua, con los pies descalzos o con las manos o pies húmedos. PUEDE HABER UNA DESCARGA ELÉCTRICA COMO RESULTADO.

- El Código Eléctrico Nacional (NEC) requiere que el marco y las partes externas que son conductores eléctricos estén conectadas a una conexión a tierra aprobada. Los códigos eléctricos locales pueden asimismo requerir una apropiada conexión a tierra del sistema eléctrico del generador.
- Luego de instalar este sistema de respaldo eléctrico doméstico, el generador puede arrancar en cualquier momento sin advertencia. Cuando esto ocurra, los circuitos de carga son transferidos a la fuente de energía de RESPALDO (generador). Para evitar daños posibles si ocurren tales arranques y transferencias, siempre coloque el interruptor de AUTO/OFF/MANUAL del generador en su posición OFF antes de trabajar en el equipo y retire los fusibles de 15A del panel de control del generador.
- En caso de un accidente causado por descarga eléctrica, apague inmediatamente la fuente de energía eléctrica. Si esto no es posible, intente liberar a la víctima del conductor vivo. EVITE EL CONTACTO DIRECTO CON LA VÍCTIMA. Use un implemento no conductor, como una soga seca o una tabla, para liberar a la víctima del conductor vivo. Si la víctima está inconsciente, aplique los primeros auxilios y consiga ayuda médica inmediatamente.
- Nunca use joyas al trabajar con este equipo. Las joyas pueden conducir electricidad y traer como resultado una descarga eléctrica, o puede quedar atrapada en los componentes móviles.

PELIGRO DE INCENDIO

- Para mayor seguridad contra incendios, el generador debe instalarse y mantenerse en forma apropiada. **La instalación debe siempre cumplir con los códigos, estándares, leyes y regulaciones aplicables.** Adhiérase estrictamente a los códigos nacionales, estatales y locales de electricidad y construcción. Cumpla con las regulaciones que la Administración de salud y seguridad ocupacional (OSHA) ha establecido. Asimismo asegúrese de que el generador sea instalado de acuerdo con las instrucciones y recomendaciones del fabricante. Luego de una instalación apropiada, no haga nada que pueda alterar una segura instalación ni hacer que la unidad no cumpla con los mencionados códigos, estándares, leyes y regulaciones.
- Tenga un extinguidor cerca al generador en todo momento. Los extinguidores marcados "ABC" por la Asociación nacional de protección contra incendios son los apropiados para usarse en los sistemas eléctricos de emergencia. Mantenga el extinguidor apropiadamente cargado y familiarícese con su uso. Consulte su departamento local de bomberos cualquier duda respecto a los extinguidores.

PELIGRO DE EXPLOSIÓN

- No fume alrededor del generador. Limpie cualquier derrame de combustible o aceite inmediatamente. Asegúrese de que no haya dejado materiales combustibles en el compartimiento del generador, en o cerca del generador, ya que pueden causar INCENDIOS y/o EXPLOSIONES. Mantenga el área circundante del generador limpia y libre de desperdicios.
- Los fluidos gaseosos como el gas natural y el gas propano líquido (GLP) son extremadamente explosivos. Instale el sistema de abastecimiento de combustible de acuerdo a los códigos aplicables para combustible y gas. Antes de colocar el sistema de respaldo eléctrico de respaldo en servicio, las líneas del sistema de combustible deben purgarse apropiadamente y buscar fugas de acuerdo al código aplicable. Luego de la instalación, inspeccione el sistema de combustible periódicamente en busca de fugas. No se permiten fugas.

ÍNDICE DE ESTÁNDARES

En ausencia de los estándares, códigos, regulaciones o leyes pertinentes, la información publicada listada abajo puede usarse como guía para la instalación de este equipo.

1. NFPA No. 37, STATIONARY COMBUSTION ENGINES AND GAS TURBINES, disponible en la National Fire Protection Association, 470 Atlantic Avenue, Boston, MA 02210.
2. NFPA No. 76A, ESSENTIAL ELECTRICAL SYSTEMS FOR HEALTH CARE FACILITIES, disponible igual que el Item 1.
3. NFPA No. 54, NATIONAL FUEL GAS CODE, disponible igual que el Item 1.
4. NFPA No. 58, AMERICAN NATIONAL STANDARD FOR STORAGE AND HANDLING OF LIQUEFIED PETROLEUM GAS, disponible igual que el Item 1.
5. NFPA No. 70, NFPA HANDBOOK OF NATIONAL ELECTRIC CODE, disponible igual que el Item 1.
6. Article X, NATIONAL BUILDING CODE, disponible en la American Insurance Association, 85 John Street, New York, N.Y. 10038.
7. AGRICULTURAL WIRING HANDBOOK, disponible en la Food and Energy Council, 909 University Avenue, Columbia, MO 65201.
8. ASAE EP-3634, INSTALLATION AND MAINTENANCE OF FARM STANDBY ELECTRICAL SYSTEMS, disponible en la American Society of Agricultural Engineers, 2950 Niles Road, St. Joseph, MI 49085.
9. NFPA No. 30, FLAMMABLE AND COMBUSTIBLE LIQUIDS CODE, disponible igual que el Item 1.

ADVERTENCIA PROPOSICIÓN 65 DE CALIFORNIA

El Estado de California sabe que el escape del motor y algunos de sus componentes causan cáncer, defectos de nacimiento y otros daños reproductivos.

ADVERTENCIA PROPOSICIÓN 65 DE CALIFORNIA

Este producto contiene o emite químicos que el Estado de California sabe que causan cáncer, defectos de nacimiento u otros daños reproductivos.

⚠ PELIGRO

⚠ Solo electricistas o contratistas calificados deberán intentar estas instalaciones, que deben cumplir estrictamente con los códigos estándares y regulaciones aplicables.

1.1 DESEMPAQUE/INSPECCIÓN

Luego del desempaque, inspeccione cuidadosamente si hay daños en el contenido.

- Este generador de respaldo está listo para su instalación con una almohadilla base pre montada y proporcionada de fábrica y tiene una caja protectora contra el clima que está diseñada para la instalación en **exteriores solamente**.
- Este generador de respaldo listado por la UL puede empacarse con un interruptor de transferencia automática con un centro de cargas incorporado. La combinación de interruptor de transferencia y centro de cargas está pre-cableada con un conductor de dos pies y 30 pies. Los interruptores de circuito para conexiones de circuito de emergencia están incluidos (si está equipado con ellos).
- Este interruptor de dos polos listado en la UL nominalmente es de 100 o 200 amperios AC a un máximo de 250 voltios. **El interruptor de transferencia de 100 Amp es para uso en interiores únicamente. El interruptor de transferencia de 200 Amp es para uso en exteriores/interiores (si está equipado con él).**

⚠ ADVERTENCIA

⚠ Si este generador se usa para energizar circuitos de carga eléctrica normalmente energizados por una fuente de energía de servicio público, el código requiere que se instale un interruptor de transferencia. El interruptor de transferencia debe aislar efectivamente el sistema eléctrico del sistema de distribución de energía pública cuando el generador está operando (NEC 700, 701 & 702). El no aislar un sistema eléctrico de esa manera traerá como resultado daños al generador y también puede causar daños o la muerte a los trabajadores del servicio público eléctrico debido a una realimentación de la energía eléctrica.

Si se nota alguna pérdida o daños el momento de la entrega, haga que la persona que entrega la carga tome nota de todos los daños en la guía de embarque o coloque su firma debajo del memo del consignatario sobre pérdida o daños.

Si se nota una pérdida o daño luego de la entrega, separe los materiales dañados y póngase en contacto con el transportista para los procedimientos de reclamo.

“Daño oculto” se entiende como el daño al contenido de un paquete que no se evidencia al momento de la entrega, pero se descubre luego.

Para abrir apropiadamente el techo, presione sobre el labio superior central y libere el pestillo. Si la presión no se aplica desde arriba, el techo puede parecer atascado. Siempre verifique que el cierre lateral esté abierto antes de intentar levantar el techo.

1.2 SISTEMAS DE PROTECCIÓN

A diferencia del motor de un automóvil, el generador puede que tenga que funcionar por largos periodos de tiempo sin operador presente para monitorear las condiciones del motor. Por esta razón, el motor está equipado con los siguientes sistemas que lo protegen contra condiciones potencialmente dañinas:

- | | |
|-----------------------------------|--------------------|
| 1. Sensor de bajo nivel de aceite | 6. Batería baja |
| 2. Sensor de alta temperatura | 7. Baja frecuencia |
| 3. Falla de arranque | 8. Bajo voltaje |
| 4. Exceso de velocidad | 9. Sobrevoltaje |
| 5. Senso de RPM | 10. Falla interna |

Existen lecturas sobre el panel de control para notificar al personal que na de estas fallas ha ocurrido. Existe un mensaje de estatus en la pantalla que muestra cuando todas las condiciones descritas en la sección “listo para funcionar” son verdaderas.

1.3 REQUERIMIENTO DE NEC PARA INTERRUPTOR DE CIRCUITO POR FALLA DE ARCO PARA DORMITORIOS

En 2001, el Código Eléctrico Nacional (MEC) presentó un requerimiento para una nueva construcción. Este nuevo requerimiento indica la necesidad de usar interruptores de circuito de falla de arco para proteger la rama completa del circuito que alimenta el dormitorio de una vivienda. El requerimiento del NEC se indica abajo.

1.3.1 SECCIÓN 210.12 PROTECCIÓN POR INTERRUPTOR DE CIRCUITO PARA FALLA DE ARCO

1. Definición: Un interruptor de circuito para falla de arco es un dispositivo cuyo propósito es proporcionar protección de los efectos de fallas de arco reconociendo las características únicas del arco y procediendo a desenergizar el circuito cuando se detecta una falla de arco.
2. Dormitorios de viviendas: Todos los circuitos ramales que suministran 125 voltios, con salidas de 12 y 20 amperios monofásicos instaladas en dormitorios de viviendas serán protegidas por un interruptor de circuito de falla de arco listado para proporcionar protección al ramal competo del circuito.

La Sección 210.12 requiere que se proporcione protección AFCI a los circuitos ramales que suministran salidas (receptáculos, iluminación, etc.) en dormitorios de viviendas. El requerimiento se limita a circuitos de 15 y 20 amperios de 125 voltios. No hay prohibición contra proporcionar protección AFCI en otros circuitos o en ubicaciones diferentes a los dormitorios. Debido a que los circuitos frecuentemente se comparten entre un dormitorio y otras áreas como armarios y pasillos, el proporcionar protección AFCI sobre el circuito completo cumpliría con la 210.12.

Si durante la instalación de un sistema de respaldo para la casa se toma la decisión de proporcionar energía de respaldo a un circuito ramal de dormitorio, el interruptor de circuito en el interruptor de transferencia deberá reemplazarse con un interruptor de circuito de falla de arco (AFCI).

Es muy importante que los interruptores sólo se reemplacen con otro similar. Por ejemplo, si se reemplaza un interruptor de 15A, DEBE ser reemplazado con un interruptor AFCI de 15 A. Del mismo modo, un interruptor de 20A DEBE ser reemplazado con un AFCI de 20A.

Estos interruptores AFCI están disponibles en la ferretería más cercana.

Item Siemens #	Descripción
Q115AF	15A polo único AFCI
Q120AF	20A polo único AFCI

1.4 INFORMACIÓN DE EMISIONES

La agencia de protección ambiental requiere que este generador cumpla con los estándares de emisión en el escape. Este generador está certificado para cumplir los niveles de emisión de EPA aplicables. Información adicional respecto a los requerimientos puestos por EPA a continuación:

El generador está certificado para usarse como motor estacionario para generación de energía de respaldo. Cualquier otro uso puede ser una violación de leyes federales y/o locales. Es importante que usted siga las especificaciones en la sección de mantenimiento para asegurar que su motor cumple con los estándares de emisión aplicables por la duración de la vida del motor. Este motor está certificado para operar con combustible de propano líquido y gas natural. El sistema de control de emisiones del generador consiste en lo siguiente:

- Sistema de medición de combustible
 - Ensamble del carburador/mezclador
 - Regulador de combustible
- Sistema de inducción de aire
 - Tubería/distribuidor de entrada
 - Limpiador de aire
- Sistema de ignición
 - Bujías
 - Módulo de ignición

El período de cumplimiento de emisiones mencionado en la etiqueta de cumplimiento de emisiones indica el número de horas de operación para las que el motor ha demostrado cumplir los requerimientos de emisión federales. Vea la tabla abajo para determinar el periodo de cumplimiento para el generador. El desplazamiento del generador está listado en la etiqueta de cumplimiento de emisiones.

Desplazamiento	Categoría	Período de cumplimiento
< 66 cc	A	300 horas
	B	125 horas
	C	50 horas
≥ 66 cc - < 225 cc	A	500 horas
	B	250 horas
	C	125 horas
≥ 225 cc	A	1000 horas
	B	500 horas
	C	250 horas

1.5 EL GENERADOR

Figura 1.1 – 8kW, Cilindro único, motor GH-410 (puerta retirada)

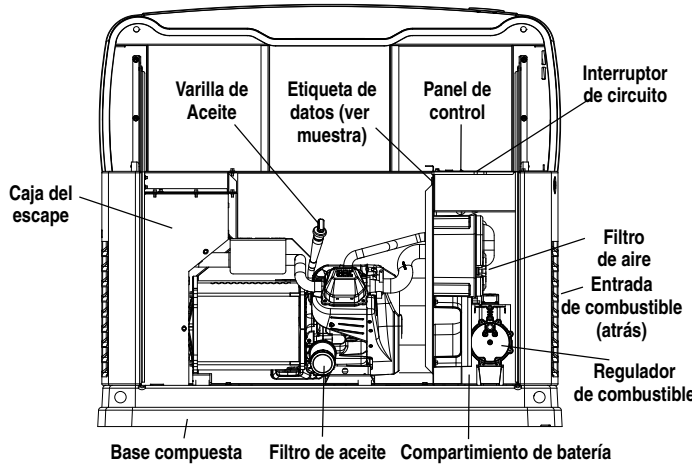


Figura 1.2 – 10kW, V-twin, motor GT-530 (puerta retirada)

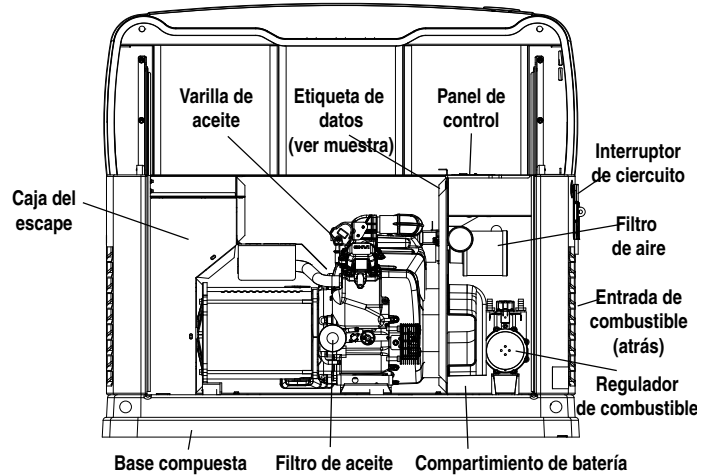
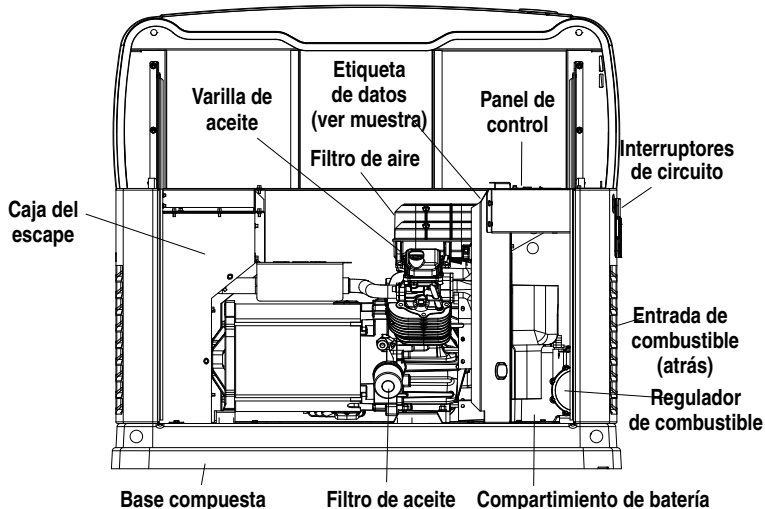


Figura 1.3 – 13, 14, 16, 17, y 20kW, motor V-twin, GT-990/GT-999 (puerta retirada)



Muestra de etiqueta de datos

MODEL	<input type="text"/>
SERIAL	<input type="text"/>
VOLTS	<input type="text"/>
AMPS	<input type="text"/>
1 PH, 60 Hz, RPM 3600	
RAINPROOF ENCLOSURE FITTED	
CLASS H INSULATION	
RATED AMBIENT TEMP - 25°C	
FOR STANDBY SERVICE	
NEUTRAL FLOATING	
MAX LOAD UNBALANCE-50%	
WHITEWATER, WIS MADE IN U.S.A.	

1.6 ESPECIFICACIONES

1.6.1 GENERADOR

Modelo	8kW	10kW	13kW	14kW	16kW	17kW	20kW
Voltaje nominal	240						
Corriente de carga máxima nominal (amps) a 240 voltios (LP)*	33.3	41.6	54.1	58.3	66.6	70.8	83.3
Interruptor principal de circuito	35 Amp	45 Amp	55 Amp	60 Amp	65 Amp	65 Amp	100 Amp
Circuitos** 50A, 240V	-	-	1	1	1	1	-
40A, 240V	-	1	1	1	1	1	-
30A, 240V	1	1	-	-	-	-	-
20A, 240V	1	-	1	1	1	1	-
20A, 120V	3	3	4	4	5	5	-
15A, 120V	3	5	4	4	5	5	-
Fase	1						
Número de polos del rotor	2						
Frecuencia nominal AC	60 Hz						
Requerimiento de batería	Grupo 26R, 12 Volts y 350 CCA Mínimo	Grupo 26R, 12 Volts y 525 CCA Mínimo					
Peso (unidad solamente en lbs.)	340	387	439	439	439	455/421	450
Caja	Acero	Acero	Acero	Acero	Acero	Acero/aluminio	Aluminio
Rango normal de operación	Esta unidad está probada de acuerdo a los estándares UL 2200 con una temperatura de operación de entre 20°F (-29°C) y 122°F (50°C). Para áreas donde las temperaturas caigan debajo de los 32°F (0°C) se recomienda un kit de clima frío. Cuando se le opera por encima de los 77°F (25°C) puede haber una disminución de la potencia del motor. (Por favor consulte la sección de especificaciones del motor).						
Estos generadores han sido calibrados de acuerdo a UL2200, Safety Standard for Stationary Engine Generator Assemblies; y CSA-C22.2 No. 100-04 Standard for Motors and Generators.							
* Los valores de gas natural dependerán del contenido de BTUs del combustible específico. Los desgastes típicos están entre 10-20% fuera del valor nominal de gas LP.							
** Los circuitos a moverse deben estar protegidos por un interruptor del mismo tamaño. Por ejemplo, un circuito de 15 amps en el panel principal debe ser un circuito de 15 amperios en el interruptor de transferencia.							

1.6.2 MOTOR

Modelo	8 kW	10 kW	13/14/16/17 kW	20 kW
Tipo de motor	GH-410	GT-530	GT-990	GT-999
Número de cilindros	1	2	2	2
Potencia nominal en caballos @ 3.600 rpm*	14.8	18	32	36
Desplazamiento	410cc	530cc	992cc	999cc
Bloque del cilindro	Aluminio con manga de hierro forjado			
Arreglo de válvulas	Válvulas elevadas			
Sistema de ignición	Estado sólido c/magneto			
Bujía recomendada	RC14YC	BPR6HS	RC14YC	RC12YC
Espaciamiento de la bujía	0.76 mm (0.762 mm)	0.76 mm (0.762 mm)	1.02 mm (1.016 mm)	0.76 mm (0.762 mm)
Razón de compresión	8.6:1	9.5:1	9.5:1	9.5:1
Arrancador	12 VCC			
Capacidad de aceite incluyendo filtro	Aprox. 1.5 Qts	Aprox. 1.7 Qts	Aprox. 1.9 Qts	Aprox. 1.9 Qts
Filtro del Aceite recomendado	Parte # 070185F			
Filtro de aire recomendado	Parte # 0G3332	Parte # 0E9581	Parte # 0C8127	Parte # 0G5894
RPM en operación	3,600			
* La potencia del motor está sujeta a, y limitada por, factores tales como contenido en BTUs del combustible, temperatura ambiental y altitud. La potencia del motor disminuye alrededor del 3.5% por cada 1000 pies sobre el nivel del mar, y también disminuirá alrededor del 1% por cada 6°C (10°F) por encima de los 16°C (60°F) de temperatura ambiente.				

1.7 LISTO PARA FUNCIONAR

El "listo para funcionar" en la pantalla está listo cuando todas las siguientes condiciones son verdaderas:

1. El interruptor AUTO/OFF/MANUAL está puesto en la posición de AUTO.
2. El voltaje de la red pública que se suministra a la unidad está siendo sentido por el PCB. Si el voltaje sentido de la red pública no está conectado a la unidad o si se encuentra debajo de aproximadamente 150-160 VAC, entonces el sistema mostrará el mensaje "no hay electricidad comercial presente". Esto indica que si el interruptor AUTO/OFF/MANUAL está colocado en la posición Auto, el generador arrancará.
3. No hay alarmas presentes, por ejemplo, baja presión de aceite, alta temperatura, etc.

1.8 REQUERIMIENTOS DE COMBUSTIBLE Y RECOMENDACIONES

Con gas LP, use sólo el sistema de entrega de vapor. Este tipo de sistema usa los vapores formados encima del combustible líquido en el tanque de almacenamiento.

El motor ha sido adaptado con un sistema de carburación de combustible que cumple las especificaciones de la 1997 California Air Resources Board para sistemas de combustible dual a prueba de aperturas. La unidad funcionará a gas natural o gas LP, pero ha sido configurado de fábrica para funcionar a gas natural. Si la necesidad de combustible primario se cambia a gas LP, el sistema de combustible necesita reconfigurarse. Las instrucciones para la reconfiguración del sistema de combustible se encuentran en la sección de reconfiguración de sistema de combustible.

Los combustibles recomendados deberán tener un contenido de BTU de al menos 1,000 BTUs por pie cúbico para gas natural, o al menos 2,520 BTUs por pie cúbico para gas LP. Pregunte al proveedor de combustible el contenido de BTUs del mismo.

La presión del combustible requerida para **gas natural es de cinco (5) pulgadas a siete (7) pulgadas de columna de agua (de 0.18 a 0.25 psi); y para propano líquido de 10 pulgadas a 12 pulgadas de columna de agua (de 0.36 a 0.43 psi).** El regulador primario para el suministro de propano **NO SE INCLUYE** con el generador.

NOTA:

Todo el dimensionamiento de las tuberías, construcción y disposición deben cumplir con la NFPA 54 para aplicaciones de gas natural y NFPA 58 para aplicaciones de propano líquido. Una vez que el generador está instalado, verifique que la presión de combustible NUNCA caiga debajo de cuatro (4) pulgadas de columna de agua para gas natural o 10 pulgadas de columna de agua para propano líquido.

Antes de la instalación del generador, el instalador deberá consultar a sus proveedores locales de combustible o al departamento de bomberos para revisar los códigos y regulaciones para una apropiada instalación. Los códigos locales obligarán a una correcta ruta de la tubería de línea de combustible gaseoso alrededor de jardines, arbustos y otros paisajes para evitar algún daño.

Se debe tener consideraciones especiales al instalar la unidad donde las condiciones locales incluyan inundaciones, tornados, huracanes, terremotos y suelos inestables en cuanto a la flexibilidad y fuerza de la tubería y sus conexiones.

Use un sellador de tubería aprobado o compuesto de juntas en todos los accesorios.

Todas las tuberías de combustible gaseoso instaladas deben ser purgadas y probadas contra fugas antes del arranque inicial de acuerdo con los códigos locales, estándares y regulaciones.

1.9 CONSUMO DE COMBUSTIBLE

Unidad	Gas nat.		Vapor de LP	
	1/2 carga	Carga completa	1/2 carga	Carga completa
7/8 kW	77	140	0.94/34	1.68/62
9/10 kW	102	156	1.25/46	1.93/70
13/13 kW	156	220	1.55/57	2.18/80
13/14 kW	156	220	1.56/58	2.30/84
16/16 kW	183	261	1.59/58	2.51/91
16/17 kW	183	261	1.61/59	2.57/94
18/20 kW	206	294	1.89/69	2.90/106

* El gas natural está en pies cúbicos por hora.

** LP está en galones por hora/pies cúbicos por hora.

*** Valores aproximados.

Verifique que el medidor de gas es capaz de proporcionar suficiente flujo de combustible para incluir aparatos domésticos.

1.9.1 REQUERIMIENTOS DE FLUJO DE BTU - GAS NATURAL

Flujo de BTU requerido para cada unidad en base a 1000 BTUs por pie cúbico.

- 7kW — 140,000 BTU/Hora
- 9kW — 156,000 BTU/Hora
- 13kW — 220,000 BTU/Hora
- 16kW — 261,000 BTU/Hora
- 18kW — 294,000 BTU/Hora

⚠ PELIGRO



Los fluidos gaseosos como el gas natural y el gas propano líquido (GLP) son altamente explosivos. Aun la más ligera chispa puede encender tales combustibles y causar una explosión. No se permiten fugas de combustible. El gas natural, que es más ligero que el aire, tiende a juntarse en áreas altas. El gas LP es más pesado que el aire y tiende a descender en áreas bajas.

NOTA:

Se debe instalar un mínimo de una válvula de cierre manual aprobada en la línea de suministro de combustible gaseoso. La válvula debe ser fácilmente accesible. Los códigos locales determinan la ubicación apropiada.

1.10 RECONFIGURACIÓN DEL SISTEMA DE COMBUSTIBLE

1.10.1 MOTOR DE 8 KW, 410CC

Para reconfigurar el sistema de combustible de GN a GLP, siga los siguientes pasos (Figura 1.4).

NOTA:

El regulador primario para el suministro de propano NO SE INCLUYE con el generador. SE DEBE SUMINISTRAR una presión de 10 a 12 pulgadas de columna de agua (0.36 a 0.43 psi) a la entrada de combustible del generador.

1. Apague el suministro principal del gas (si está conectado).
2. Abra el techo y retire la puerta.
3. Retire la batería (si está instalada).
4. Tome el manubrio T de plástico selector de combustible en la bolsa plástica suministrada con el generador.
5. Ubique la perilla selectora en la cubierta de la caja de aire, detrás de la puerta del filtro de aire amarillo y el bulto de energía. La unidad viene de fábrica en posición de gas natural. Agarrando el manubrio en T, inserte el extremo del pasador en el agujero en la perilla selectora y tire hacia afuera para vencer la presión del resorte y luego gire en sentido horario 90 grados y deje que el selector retorne una vez alineado con la posición de LP.
6. Guarde esta herramienta con el manual del propietario.
7. Instale la batería, la puerta y cierre el techo (tapa).
8. Invierta el proceso para convertir de regreso a gas natural.

Figura 1.4 – Selector de combustible



NOTA:

Use un sellador o compuesto para juntas de tuberías aprobado en todos los accesorios para reducir la probabilidad de fugas.

1.10.2 MOTORES DE 10, 13 14, 16, 17 Y 20KW, V-TWIN

Para reconfigurar el sistema de combustible de GN a GLP, siga los siguientes pasos.

NOTA:

El regulador primario para el suministro de propano NO SE INCLUYE con el generador. SE DEBE SUMINISTRAR una presión de 10 a 12 pulgadas de columna de agua (0.36 a 0.43 psi) a la entrada de combustible del generador.

1. Abra el techo (tapa).
 2. **Para unidades de 10kW:** Suelte la abrazadera y deslice hacia atrás la manguera de ingreso de aire.
 - Deslice el selector de combustible en el carburador hacia afuera y atrás de la caja (Figuras 1.5 y 1.6).
 - Regrese la manguera de entrada y ajuste la abrazadera en forma segura.
- Para unidades de 13, 14, 16, 17 y 20kW:** retire la cubierta del limpiador de aire.
- Deslice la palanca selectora hacia afuera y atrás de la caja (Figuras 1,7 y 1,8).
 - Regrese la cubierta del limpiador de aire y ajuste los dos tornillos.

Figura 1.5 - 10kW, GT-530 (manguera de entrada deslizada atrás)

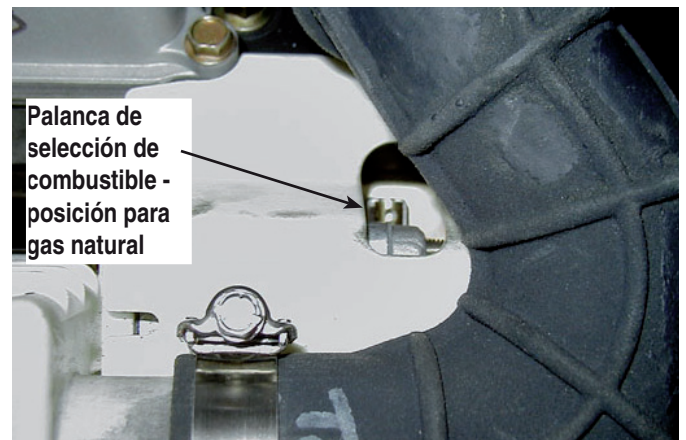
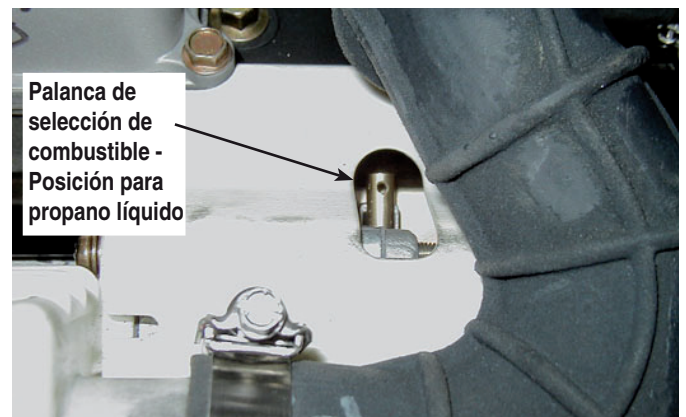


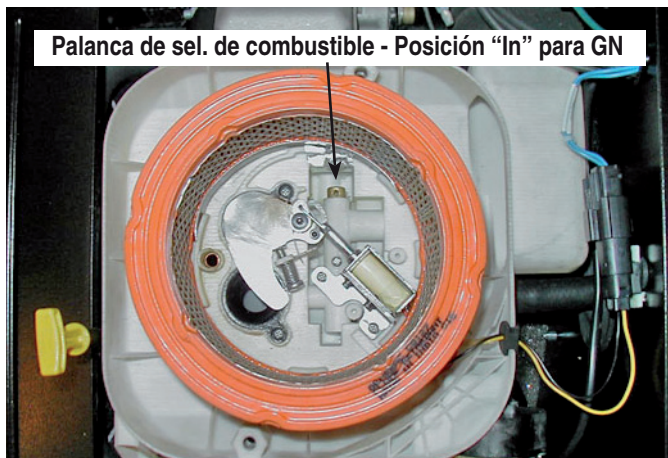
Figura 1.6 - 10kW, GT-530 (manguera de entrada deslizada atrás)



Información General

3. Cierre el techo (tapa).
4. Invierta el proceso para convertir de regreso a gas natural.

**Figura 1.7 - 13, 14, 16, 17, y 20kW,
GT-990/GT-999 (cubierta de caja de aire retirada)**



**Figura 1.8 - 13, 14, 16, 17, y 20kW,
GT-990/GT-999 (cubierta de caja de aire retirada)**



- Evite que los gases del escape ingresen a un área confinada a través de ventanas, puertas, ventiladores, espacios de arrastre u otras aberturas (Figura 1.9).
- Es altamente recomendado que se instale detectores de monóxido de carbono en interiores de acuerdo a las instrucciones y recomendaciones del fabricante.
- El generador debe ser montado en forma segura según los códigos aplicables y las especificaciones del fabricante. **NO altere ni agregue nada al sistema de escape ni haga nada que pueda volver inseguro al sistema de escape o que no cumpla con los códigos y estándares aplicables.**

1.11.1 GENERADOR

Instale el generador en su caja protectora, **en exteriores**, donde haya siempre disponible adecuada refrigeración y aire de ventilación (Figure 1.9). Considere estos factores:

- La instalación del generador **debe cumplir estrictamente con los estándares NFPA 37, NFPA 54, NFPA 58, y NFPA 70.**
- Instale la unidad donde las aberturas de entrada y salida no se vean obstruidas por hojas, césped, nieve, etc. Si los vientos prevalecientes causan movimientos, considere el uso de un cortavientos para proteger la unidad.
- Instale el generador en cierta altura donde los niveles de agua no lo alcancen ni lo pongan en peligro.
- Deje suficiente espacio a los lados del generador para mantenimiento y servicio. Esta unidad debe instalarse de acuerdo con los estándares aplicables actuales NFPA 37 y NFPA 70 así como cualquier otro código federal, estatal y local sobre distancias mínimas desde otras estructuras. **NO instale bajo plataformas de madera o estructuras a menos que haya al menos cuatro (4) pies de claridad sobre el generador, tres (3) pies de claridad a los lados y al frente y 18 pulgadas de claridad en la parte trasera.**
- Instale la unidad donde no exista flujo de descarga de canaletas de lluvia, tejados, irrigación de paisajes, regaderas o sumideros que mojen la unidad o su cubierta, incluyendo las aberturas de entrada y salida.
- Instale la unidad donde los servicios no se vean afectados u obstruidos, incluyendo servicios disimulados, subterráneos o cubiertos como los eléctricos, de combustibles, teléfonos, aire acondicionado o irrigación.
- Donde los vientos fuertes soplen en una dirección, coloque el generador con la entrada de aire en dirección a los vientos.
- Instale el generador lo más cerca posible a la fuente de combustible, para reducir la longitud de los tubos.
- Instale el generador lo más cerca posible del interruptor de transferencia. **RECUERDE QUE LAS LEYES O CÓDIGOS PUEDEN REGULAR LA DISTANCIA Y UBICACIÓN.**
- El equipo debe instalarse en una superficie nivelada. El marco base debe estar nivelado dentro de dos (2) pulgadas alrededor.

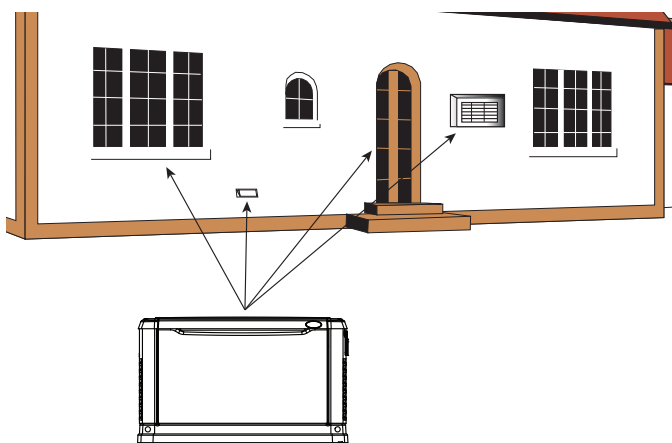
1.11 UBICACIÓN

⚠ PELIGRO

- ⚠ Los humos del escape del motor contienen monóxido de carbono, que puede ser MORTAL. Este gas peligroso, si se aspira en concentraciones suficientes, puede hacerle perder la conciencia y causarle la muerte. Este generador debe instalarse en forma apropiada, en cumplimiento estricto de los estándares y códigos aplicables. Luego de la instalación, no haga nada que pueda volver el sistema inseguro, o que no cumpla con tales códigos y estándares. Opere el generador en exteriores SOLAMENTE.**

- El generador se coloca típicamente sobre gravilla o piedra chancada. Revise los códigos locales si se necesita bloques de concreto. Si se requiere una base de bloque de concreto, se debe seguir todos los códigos federales, estatales y locales. Se debe dar atención especial al bloque base de concreto que deberá exceder la longitud y ancho del generador por un mínimo de 6 (seis) pulgadas (0.152 metros) a todos lados.

Figura 1.9 – Claridades del generador



1.11.2 NUEVAS GUÍAS DE INSTALACIÓN PARA GENERADORES ESTACIONARIOS ENFRIADOS POR AIRE DE 8, 10, 13, 14, 16, 17 Y 20 KW.

La National Fire Protection Association tiene un estándar para la instalación y uso de motores de combustión estacionarios. Ese estándar es el NFPA 37 y sus requerimientos limitan el espacio de un generador cerrado de una estructura o pared (Figura 1.10).

NFPA 37, Sección 4.1.4, Motores ubicados en exteriores. Los motores y sus cajas a prueba del clima si se provee, que se instalan en exteriores, deberán ubicarse al menos a 5 pies de las aberturas en paredes y al menos 5 pies de las estructuras que tienen paredes combustibles. No se requerirá una separación mínima donde existan las siguientes condiciones:

1. La pared adyacente de la estructura tiene una resistencia al fuego de al menos una hora.
2. La caja a prueba de clima está construida de materiales no combustibles y se ha demostrado que un incendio dentro de la caja no encenderá los materiales combustibles fuera de la caja.

Anexo A — Material explicativo

A4.1.4 (2) Los medios para demostrar cumplimiento son a través de una prueba de fuego a escala completa o por procedimientos de cálculo.

Debido a los espacios frecuentemente limitados disponibles para la instalación, se ha hecho aparente que la excepción (2) sería beneficioso para muchas instalaciones residenciales y comerciales. Con ello en mente, el fabricante contrató un laboratorio de pruebas independiente para llevar a cabo pruebas de fuego a escala completa para asegurar que la caja no encenderá materiales combustibles fuera de la caja.

El criterio era determinar el peor caso de escenario de incendio dentro del generador y determinar la vulnerabilidad al fuego de los ítems fuera de la caja del motor e diferentes distancias. La caja está construida de materiales no combustibles y los resultados y conclusiones del laboratorio independiente de pruebas indicaron que cualquier fuego dentro de la caja del generador no supondrá ningún riesgo de ignición a combustible o estructuras cercanas, con o sin respuesta de personal de servicio contra incendios.

En base a estas pruebas y los requerimientos de NFPA 37 Sec 4.1.4, las guías para la instalación de los generadores listadas arriba se cambian a 18 pulgadas (457 mm) desde el lado trasero del generador a una pared o edificio estacionario. Para un adecuado mantenimiento y claridad de flujo de aire, el área encima del generador deberá estar al menos a 4 pies, con un mínimo de 3 pies al frente y extremos de la caja. Esto incluirá árboles, arbustos y vegetación que pudiera obstruir el flujo de aire. Vea el diagrama al reverso de esta página y el dibujo de instalación dentro del manual del propietario para mayores detalles.

El escape del generador contiene gases MORTALES de monóxido de carbono. Este peligroso gas puede causar pérdida de conciencia o la muerte. No coloque la unidad cerca de ventanas, puertas, entradas de aire fresco (chimeneas, etc) ni ninguna abertura en el edificio o estructura, incluyendo ventanas y puertas de un garaje cercano.

1.11.3 INTERRUPTOR DE TRANSFERENCIA (si se incluye)

1.11.3.1 Unidades de 8, 10, 13, 14, 16, 17 y 20kW (si está equipado)

El interruptor de transferencia que puede haberse entregado dentro de la caja con el generador de **8, 10, 13, 14, 16, o 17 kW** está cerrado en una caja **NEMA1 (sólo para interiores)**. El interruptor de transferencia que puede haberse entregado con el generador de **20kW** está cerrado en una caja **NEMA 3R (para interiores y exteriores)**.

- Instale el interruptor de transferencia en interiores sobre una estructura de soporte firme.
- Para evitar la distorsión del interruptor, nivélelo si es necesario. Esto puede hacerse colocando arandelas entre la caja del interruptor y la superficie de montaje.
- Nunca instale el interruptor en lugares donde pueda gotear agua o cualquier sustancia corrosiva sobre la caja.
- Proteja el interruptor en todo momento contra la humedad excesiva, polvo, suciedad, pelusas, polvo de construcción y vapores corrosivos.

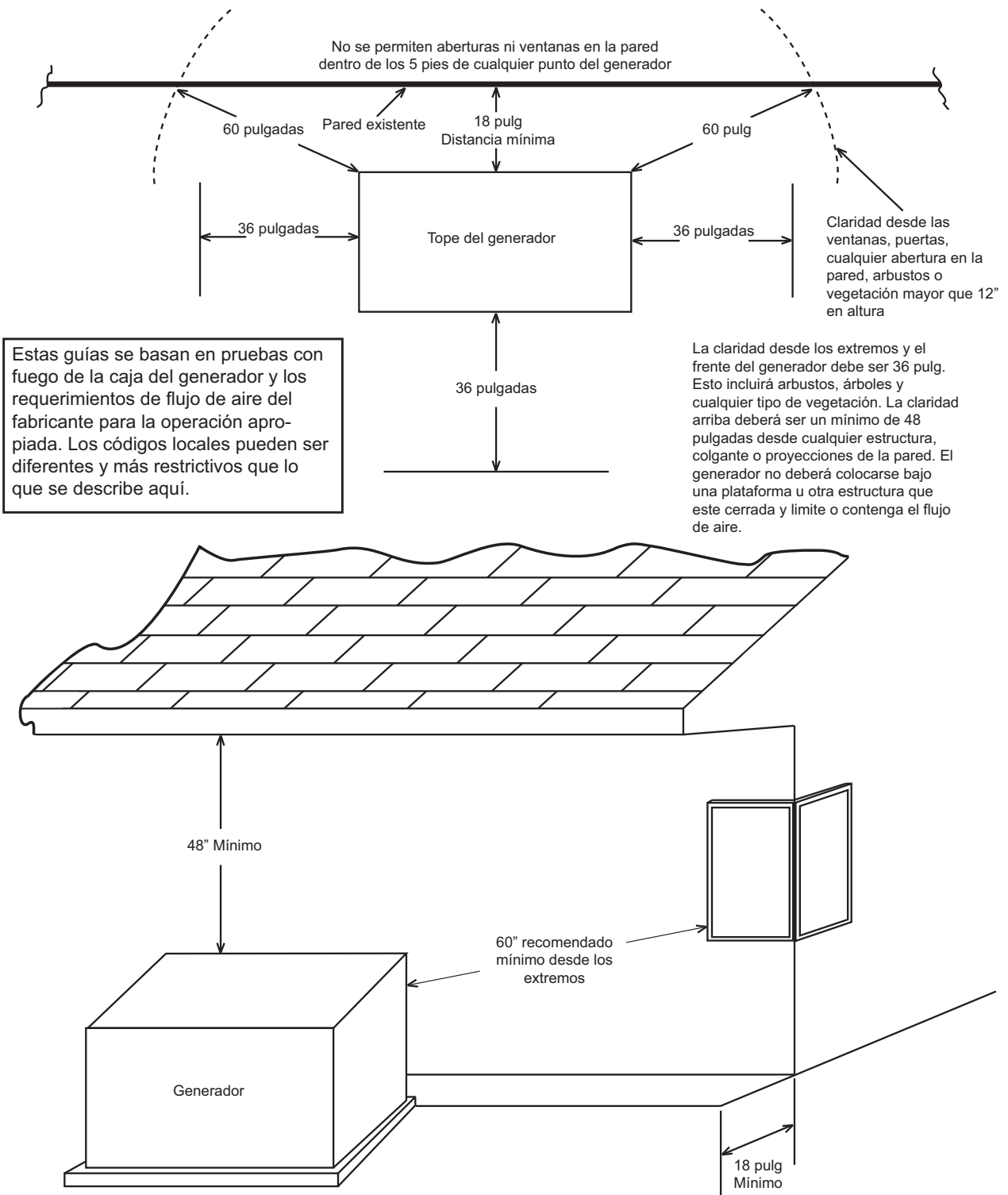
⚠ ADVERTENCIA

⚠ Si el interruptor AUTO/OFF/MANUAL no está en la posición OFF, el generador puede arrancar tan pronto como se conecten los cables de la batería. Si la fuente de energía pública no está apagada, puede ocurrir chisporroteo en los postes de la batería y causar una explosión.

1.12 REQUERIMIENTOS DE BATERÍA

Consulte en la sección de especificaciones el tamaño y valores correctos de la batería.

Figura 1.10 – Guías de instalación



Este dibujo sustituye a las instrucciones de instalación en todas las instalaciones refrigeradas por aire y los manuales de propietario con fechas anteriores al 26 de mayo de 2007.

1.13 INSTALACIÓN DE LA BATERÍA

Llene la batería con el fluido electrolítico apropiado si es necesario y tenga la batería totalmente cargada antes de instalarla.

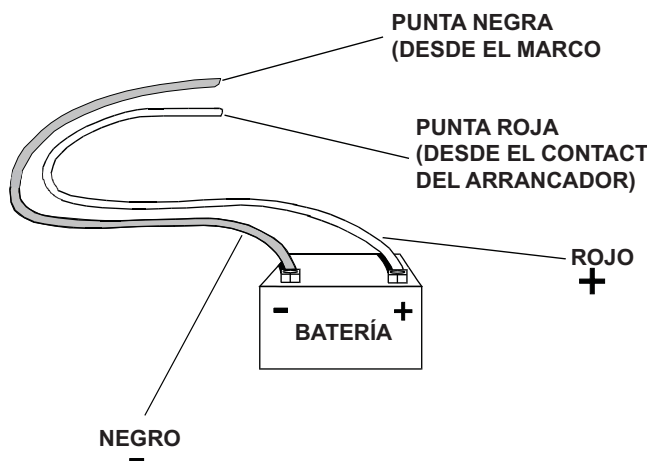
Antes de instalar y conectar la batería, complete los siguientes pasos:

1. Ponga el interruptor de AUTO/OFF/MANUAL del generador en OFF.
2. Apague la energía pública del interruptor de transferencia.
3. Retire el fusible de 7.5A del panel de control del generador.

Los cables de batería se conectan en fábrica al generador (Figura 1.10). Conecte los cables a los bornes de la batería como sigue:

4. Conecte el cable rojo de la batería (desde el contactor del arrancador) al borne de la batería indicado con un signo positivo, POS o (+).
5. Conecte el cable negro de la batería (desde la tierra del marco) al borne de la batería indicado con un signo negativo, NEG o (-).

Figura 1.10 – Conexiones de cable de la batería



NOTA:

Deberá usarse grasa dieléctrica sobre los bornes de la batería para ayudar a evitar la corrosión.

NOTA:

Puede haber daños si las conexiones de la batería se hacen al revés.

NOTA:

En áreas donde las temperaturas regularmente caen debajo de 10° F (-12° C) se recomienda que se instale un calentador de batería tipo almohadilla para ayudar al arranque en clima frío.

1.14 LA BATERÍA

⚠ PELIGRO

⚠ No arroje la batería al fuego. La batería puede explosionar.

⚠ Una batería presenta un riesgo de choque eléctrico y una gran corriente de cortocircuito. Las siguientes precauciones serán observadas al trabajar con baterías:

- Retire el fusible de 7.5A del panel de control del generador.
- Sáquese los relojes, anillos y otros objetos de metal;
- Use herramientas con manubrios aislados;
- Use guantes y botas de goma;
- No deje herramientas ni partes metálicas encima de la batería; y
- Desconecte la fuente de carga antes de conectar o desconectar los terminales de la batería.

⚠ ADVERTENCIA

⚠ No abra ni mutile la batería. El electrolítico liberado es dañino para la piel y ojos y es tóxico.

⚠ El electrolito es ácido sulfúrico diluido que es dañino para la piel y los ojos. Es conductor eléctrico y corrosivo.


Se debe observar los siguientes procedimientos:


- Usar protección de ojos completa y ropa protectora;
- Donde haya contacto del electrolito con la piel, láve inmediatamente con agua.
- Donde haya contacto del electrolito con los ojos, enjague completa e inmediatamente con agua y busque atención médica; y
- El electrolito derramado debe lavarse con un agente neutralizador de ácido. Una práctica común es usar una solución de 1 libra (1/2 kilo) de bicarbonato de sodio en 1 galón (4 litros) de agua. La solución de bicarbonato de sodio se debe añadir hasta que la evidencia de la reacción (espuma) haya cesado. El líquido resultante debe enjuagarse con agua y el área deberá secarse.

⚠ Las baterías de plomo-ácido presentan riesgo de fuego porque generan gas hidrógeno. Se debe seguir los siguientes procedimientos:

- NO FUME cerca de la batería;
- NO haga fuego ni chispas en el área de la batería; y
- Descargue la electricidad estática del cuerpo antes de tocar la batería, tocando primero una superficie metálica conectada a tierra.

Arranque luego de la instalación y ajustes

 **Asegúrese que el interruptor AUTO/OFF/MANUAL se encuentre en la posición de OFF antes de conectar los cables de la batería. Si el interruptor se coloca a AUTO o MANUAL, el generador puede arrancar tan pronto como se conectan los cables de batería.**

 **Asegúrese de que el suministro público de electricidad esté apagado y que el fusible de 7.5A esté fuera del panel de control del generador, ya que puede ocurrir una chispa en los bornes de la batería ya que los cables están juntos y causar una explosión.**

El servicio de la batería deberá ser realizado o supervisado por personal que conozca de baterías y las precauciones requeridas. Mantenga al personal no autorizado lejos de las baterías.

Consulte en la sección de especificaciones el tamaño y valores correctos al reemplazar la batería. Estos procedimientos deben realizarse a intervalos especificados en la "Agenda de servicio". Se usa un sistema de tierra negativa. Las conexiones de la batería se muestran en los diagramas de cableado. Asegúrese que la batería esté correctamente conectada y los terminales estén ajustados. Observe la polaridad de la batería al conectarla al generador.

1.15 CARGADOR DE BATERÍAS

NOTA:

El cargador de baterías está integrado en el módulo de control en todos los modelos.

Opera como "cargador inteligente" que asegura que la salida es continuamente optimizada para promover la máxima vida de la batería y que los niveles de carga estén en condiciones seguras. El usuario puede monitorear el voltaje de la batería y la carga de corriente en modos "aumentar" y "flotar" en la pantalla LCD del controlador.

NOTA:

Hay una advertencia en la pantalla LCD cuando la batería necesita servicio.

2.1 ACTIVACIÓN DEL GENERADOR

Cuando se aplica la energía de la batería al generador durante el proceso de instalación, el controlador se iluminará. Sin embargo, el generador aún necesita activarse antes de que funcione automáticamente en el caso de un apagón eléctrico.

La activación del generador es un proceso simple de un solo paso que es guiado por los requerimientos de la pantalla del controlador. Una vez que el producto está activado, la pantalla del controlador no lo pedirá nuevamente, aún si se desconecta la batería del generador.

Luego de obtener su código de activación, por favor complete los siguientes pasos en el panel de control del generador en la cartilla de activación.

2.2 ANTES DEL ARRANQUE INICIAL

NOTA:

Estas unidades han funcionado y han sido probadas en la fábrica antes de ser embarcadas y no requieren ningún tipo de entrada forzada.

NOTA:

Esta unidad viene llena con aceite de fábrica. Revise el nivel de aceite y agregue la cantidad apropiada si es necesario.

Antes de arrancar, complete lo siguiente:

1. Fije el interruptor principal del circuito en su posición OFF (o en OPEN).
2. Ponga el interruptor de AUTO/OFF/MANUAL en la posición OFF.
3. Apague todos los interruptores en el centro de cargas de la caja de transferencia (T1 y T2).
4. Apague todas las cargas conectadas a los terminales T1 y T2 del interruptor de transferencia.
5. Revise el nivel de aceite en el cárter del motor, y si es necesario, llene hasta que la varilla marque FULL con el aceite recomendado. No llene por encima de la marca FULL.
6. Revise el suministro de combustible. Las líneas de combustible gaseoso deben haber sido purgadas en forma apropiada y sin fugas comprobadas de acuerdo con los códigos aplicables de gas combustible. Todas las válvulas de cierre en las líneas de abastecimiento de combustible deben estar abiertas.

Sólo durante el arranque inicial, el generador puede exceder el número normal de intentos de arranque y experimentar una falla de sobre-arranque (ver la sección de "sobre-arranque") Esto se debe al aire acumulado en el sistema de combustible durante la instalación. Reinicie el tablero de control y reinicie hasta dos veces más si es necesario. Si la unidad no arranca, contacte a su concesionario local.


⚠ CUIDADO

 **Nunca opere el motor con el nivel de aceite por debajo de la marga "Add" (agregar) de la varilla. Esto puede dañar el motor.**





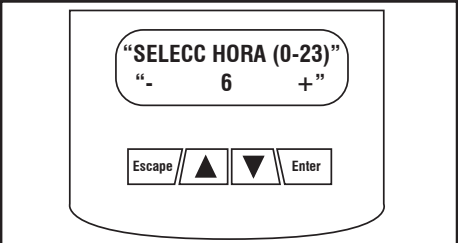
2.3 REVISE LA OPERACIÓN DEL INTERRUPTOR DE TRANSFERENCIA

Consulte los procedimientos en la sección "Operación de transferencia manual" del manual de propietario.

⚠ PELIGRO

 **No intente una operación manual del interruptor de transferencia hasta que todos los suministros de voltaje al interruptor de transferencia hayan sido positivamente apagados. El no apagar todas las fuentes de voltaje traerá como resultado un choque eléctrico extremadamente peligroso y posiblemente fatal.**

CARTILLA DE ACTIVACIÓN

ELEGIR IDIOMA		DETECCIÓN DE FALLAS
<p>La pantalla dice:</p> 	<p>Use las teclas de FLECHA para llegar al idioma deseado. Presione ENTER para seleccionar.</p>	<p>Si se elige el idioma incorrecto, se le puede cambiar posteriormente usando el menú de "edición".</p>
<p>La pantalla dice:</p> 	<p>Presione ENTER para empezar el proceso de activación.</p>	<p>Si se presiona ESCAPE en lugar de ENTER, su generador sólo funcionará en modo manual (para propósitos de prueba) y se mostrará NO ACTIVADO. Necesitará reconectar la batería y empezar con el Paso 1.</p>
<p>La pantalla dice:</p> 	<p>Si no tiene su código de activación, vaya a www.activate.com o llame al 1-888-9ACTIVATE (922-8482). Si ya tiene su código de activación, espere de 3 a 5 segundos la siguiente pantalla.</p>	
INGRESAR CÓDIGO DE ACTIVACIÓN (contraseña)		DETECCIÓN DE FALLAS
<p>La pantalla dice:</p> 	<p>Use las teclas de FLECHA para navegar y encontrar el primer número de su código de activación. Presione ENTER para seleccionar. Repita este paso hasta que todos los dígitos hayan sido ingresados. Use ESCAPE para corregir los dígitos anteriores.</p>	
<p>La pantalla dice:</p> 	<p>La activación está completa cuando todos los dígitos se hayan ingresado arriba y su pantalla muestra esto. Siga los pedidos del controlador para seguir configurando la función de tiempo. Consulte su manual del propietario si tiene preguntas.</p>	<p>¿Qué sucede si aparece "contraseña errada, intente nuevamente"? Reingrese el código de activación. Si un segundo intento es infructuoso, revise el número contra el código entregado en activategen.com. Si es correcto y el generador no lo acepta, póngase en contacto con el 1-888-9ACTIVATE (922-8482).</p>

2.4 REVISIONES ELÉCTRICAS

Complete los chequeos eléctricos de esta manera:

1. Fije el interruptor principal del circuito en su posición OFF (o en OPEN).
2. Ponga el interruptor de AUTO/OFF/MANUAL en la posición OFF.
3. Apague todos los interruptores en el centro de cargas de la caja de transferencia (T1 y T2).
4. Encienda el suministro de energía pública al interruptor de transferencia usando los medios provistos (como un interruptor de línea principal pública).

⚠ PELIGRO

⚠ El interruptor de transferencia está ahora eléctricamente “caliente”. El contacto con partes “Calientes” puede traer como resultado un choque eléctrico extremadamente peligroso y posiblemente fatal. Proceda con cuidado.

5. Use un voltímetro AC exacto para revisar la fuente de energía pública a través de los terminales del interruptor de transferencia N1 y N2. El voltaje nominal de línea a línea deberá ser 240 volts AC.
6. Revise el voltaje de la fuente de energía pública a través de los terminales N1 y la oreja neutral del interruptor de transferencia, luego a través del terminal N2 y el neutro. El voltaje nominal de línea a neutro deberá ser 120 volts AC.
7. Cuando esté seguro de que el voltaje de la fuente de energía pública sea compatible con los valores del interruptor de transferencia y el circuito de carga, apague la fuente de energía pública al interruptor de transferencia.
8. En el panel del generador, coloque el interruptor de Auto/Off/Manual en MANUAL. El motor deberá arrancar.
9. Deje calentar al motor por alrededor de cinco minutos para dejar estabilizar las temperaturas internas. Luego, fije el interruptor principal del circuito en su posición ON (o cerrado).

⚠ PELIGRO

⚠ ¡Proceda con cuidado! El voltaje del generador ahora es proporcionado al interruptor de transferencia. El contacto con las partes vivas del interruptor de transferencia traerá como resultado un choque eléctrico peligroso y posiblemente fatal.

10. Conecte un voltímetro AC exacto y un frecuencímetro a través de las orejas terminales E1 y E2 del interruptor de transferencia. El voltaje deberá ser 250-254 voltios a una frecuencia de 59,5-60,5 Hertz.
11. Conecte las puntas de prueba del voltímetro AC a través de las orejas terminales E1 y neutro, luego a través de E2 y neutro. En ambos casos, la lectura de voltaje deberá ser de 125-127 Voltios AC.
12. Fije el interruptor principal del circuito en su posición OFF (o en OPEN). Deje el motor correr sin carga por unos minutos para estabilizar las temperaturas internas del motor del generador.
13. Ponga el interruptor de AUTO/OFF/MANUAL en la posición OFF. El motor debería apagarse.

NOTA:

Es importante no proceder hasta que sea seguro que el voltaje AC del generador y la frecuencia son las correctas y están dentro de los límites indicados.

2.5 PRUEBAS DEL GENERADOR BAJO CARGA

Para probar el generador con cargas eléctricas aplicadas, proceda como sigue:

1. Fije el interruptor principal del circuito en su posición OFF (o en OPEN).
2. Apague todos los interruptores en el centro de cargas de la caja de transferencia (T1 y T2).
3. Ponga el interruptor de AUTO/OFF/MANUAL en la posición OFF.
4. Apague el suministro de energía pública al interruptor de transferencia usando los medios provistos (como un interruptor de línea principal pública).

⚠ ADVERTENCIA

⚠ No intente una operación manual del interruptor de transferencia hasta que todos los suministros de voltaje al interruptor de transferencia hayan sido positivamente apagados. El no apagar todas las fuentes de voltaje traerá como resultado un choque eléctrico extremadamente peligroso y posiblemente fatal.

5. Coloque manualmente el interruptor de transferencia en la posición STAND BY, es decir los terminales de carga conectados a los terminales E1/E2 del generador. La palanca de operación del interruptor de transferencia deberá estar abajo.
6. Ponga el interruptor de AUTO/OFF/MANUAL en la posición MANUAL. El motor deberá arrancar inmediatamente.
7. Deje que el motor se estabilice y caliente por unos minutos.
8. Fije el interruptor principal del circuito en su posición ON (o en CLOSED). Las cargas ahora están energizadas por el generador de respaldo.
9. Encienda el centro de cargas del interruptor de transferencia (T1 y T2).
10. Conecte un voltímetro AC exacto y un frecuencímetro a través de las orejas terminales E1 y E2.
 - El voltaje deberá ser mayor a 240 voltios y la frecuencia deberá ser de 60 Hz.
11. Deje el generador funcionando a plena carga por 20 o 30 minutos. Escuche si hay ruidos inusuales, vibraciones u otras indicaciones de operación anormal. Revise si hay fugas de aceite, evidencia de sobrecalentamiento, etc.
12. Cuando la prueba con carga esté completa, apague las cargas eléctricas.
13. Fije el interruptor principal del circuito en su posición OFF (o en OPEN).
14. Deje funcionar al motor sin carga por unos minutos.
15. Ponga el interruptor de AUTO/OFF/MANUAL en la posición OFF. El motor debería apagarse.

2.6 REVISANDO LA OPERACIÓN AUTOMÁTICA

Para revisar la apropiada operación automática del sistema, proceda como sigue:

1. Fije el interruptor principal del circuito en su posición OFF (o en OPEN).
2. Revise que el interruptor de AUTO/OFF/MANUAL se encuentre en la posición OFF.
3. Apague el suministro de energía pública al interruptor de transferencia usando los medios provistos (como un interruptor de línea principal pública).
4. Coloque manualmente el interruptor de transferencia en la posición UTILITY, es decir los terminales de carga conectados al lado de la fuente de energía pública.
5. Encienda el suministro de energía pública al interruptor de transferencia usando los medios provistos (como un interruptor de línea principal pública).
6. Fije el interruptor principal del circuito en su posición ON (o en CLOSED).
7. Ponga el interruptor de AUTO/OFF/MANUAL en la posición AUTO. El sistema está ahora listo para operación automática.
8. Apague la energía pública del interruptor de transferencia.

Con el interruptor de AUTO/OFF/MANUAL en AUTO, el motor deberá arrancar cuando la fuente de energía pública se apaga luego de un retardo de 10 segundos. Luego del arranque, el interruptor de transferencia deberá conectar los circuitos de carga al lado de respaldo luego de un retardo de 5 segundos. Deje al sistema ir a través de su secuencia automática de operación.

Con el generador funcionando y las cargas energizadas por la salida AC del generador, encienda la fuente de energía pública al interruptor de transferencia. Puede ocurrir lo siguiente:

- Luego de 15 segundos, el interruptor deberá transferir las cargas de regreso al suministro público de energía.
- Luego de un minuto después de la retransferencia, el motor deberá apagarse.

3.1 INTERFAZ DEL PANEL DE CONTROL

3.1.1 USO DEL INTERRUPTOR AUTO/OFF/MANUAL (FIGURA 3.1)

⚠ ADVERTENCIA

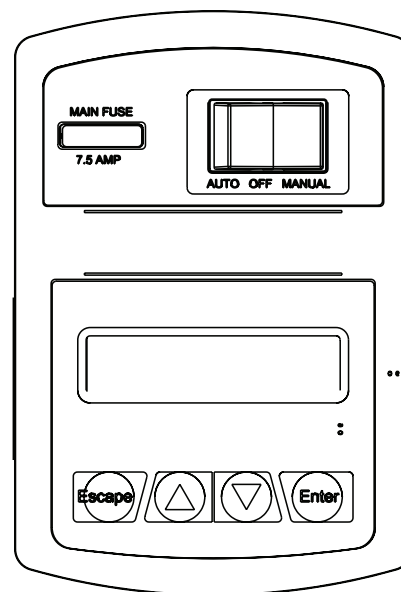
Con el interruptor colocado en AUTO, el motor puede arrancar en cualquier momento sin advertencia. Tal arranque automático ocurre cuando el voltaje de la fuente de energía pública cae por debajo de un nivel predeterminado o durante el ciclo de ejercicio normal. Para evitar un posible daño que puede ser causado por tales arranques repentinos, siempre coloque el interruptor en OFF y retire los fusibles antes de trabajar o estar cerca del generador o del interruptor de transferencia. Luego coloque una etiqueta de “NO OPERAR” sobre el panel del generador y sobre el interruptor de transferencia.

1. Posición AUTO – Seleccionar este interruptor activa la operación totalmente automática del sistema. También permite a la unidad arrancar automáticamente y ejercitar el motor cada siete días con los ajustes del temporizador de ejercicios (ver la sección de configuración del temporizador de ejercicios).
2. Posición “OFF” – Esta posición del interruptor apaga el motor. Esta posición también evita la operación automática.
3. Posición “manual” – Coloque el interruptor en MANUAL para arrancar el motor. La transferencia a la energía de respaldo no ocurrirá a menos que haya una falla del servicio público.

3.1.2 FIJANDO EL TEMPORIZADOR DE EJERCICIOS

Este generador está equipado con un temporizador de ejercicios. Una vez fijado, el generador arrancará y se ejercitará cada siete días, en el día de la semana y la hora especificada. Durante este periodo de ejercicio, la unidad funciona aproximadamente 12 minutos y luego se apaga. La transferencia de cargas a la salida del generador no ocurre durante el ciclo de ejercicios a menos que se pierda la energía pública.

Figura 3.1 – Panel de control del generador de 8/10/13/14/16/17 y 20kW



ASISTENTE DE INSTALACIÓN

Característica de prueba propia del sistema de interconexión (siga las instrucciones en pantalla)

Al encendido, este controlador realizará un auto examen que revisará la presencia de voltaje de la red pública en los circuitos CC. Esto se hace para evitar daños si el instalador conecta por error los cables de sensado de energía de la red pública AC al bloque terminal CC. Si se deflexiona el voltaje de la red pública, el controlador mostrará una advertencia y bloqueará el generador, evitando daños al controlador. Debe retirarse la energía al controlador para apagar esta advertencia.

El voltaje de la red pública debe encenderse y estar presente en los terminales N1 y N2 dentro del panel de control del generador para que se realice y apruebe este examen.

NOTA:

IEL DAÑO CAUSADO POR MAL CABLEADO DE LOS CABLES DE INTERNCONEXIÓN NO ES CUBIERTO POR LA GARANTÍA!

Este examen se realizará cada vez que el controlador se enciende.

En el primer arranque del generador, la interfaz de pantalla empezará el asistente de instalación. El asistente pedirá al usuario fijar los ajustes mínimos para operar. Estos ajustes son simples: Fecha/hora actual y día/hora de ejercicio. Los intervalos de mantenimiento serán inicializados cuando se ingresa la hora del ejercicio (Figura 3.1).

Los ajustes de ejercicio se pueden cambiar en cualquier momento con el menú "EDIT" (ver Apéndice, "Sistema del menú").

Si la batería de 12 voltios está desconectada y el fusible retirado, el asistente de instalación operará a la restauración de la energía. La única diferencia es que la pantalla sólo pedirá al cliente la fecha y hora actual.

SI EL INSTALADOR PRUEBA AL GENERADOR ANTES DE LA INSTALACIÓN, PRESIONE LA TECLA "ENTER" PARA EVITAR CONFIGURAR LA HORA DE EJERCICIO. ESTO ASEGURARÁ QUE CUANDO EL CLIENTE ENERGICE LA UNIDAD, TODAVÍA SE LE PEDIRÁ INGRESAR UNA HORA DE EJERCICIO.

NOTA:

El ejercitador sólo funcionará en modo AUTO y no funcionará a menos que se realice este procedimiento. La fecha/hora actual necesitará reiniciarse cada vez que la batería de 12 voltios se desconecte y luego se reconecte, y/o cuando el fusible se saque.

Ejercicio de baja velocidad

Las unidades de 17 y 20 Kw funcionarán a 2,400 rpm.

Menús de interfaz de pantalla

La pantalla LCD está organizada como se detalla abajo:

- La página de "Inicio", esta página es la página predeterminada que se mostrará si no se presionan teclas por 30 segundos. Esta página normalmente muestra el mensaje de estatus actual y la fecha y hora actuales. La alarma y/o advertencia activa de más alta prioridad se enviará automáticamente a esta página así como destellará la luz de fondo cuando tal evento se detecte. En caso de múltiples alarmas o advertencias, sólo se mostrará el primer mensaje. Para borrar una alarma o advertencia, vea la sección de sistemas de protección - borrar alarma.
- La luz trasera de la pantalla normalmente está apagada. Si el usuario presiona cualquier tecla, la luz trasera se encenderá automáticamente y permanecerá encendida por 30 segundos luego de que se presione la última tecla.
- La página de "Menú principal" permitirá al usuario navegar a todas las otras páginas o sub-menús usando las teclas izquierda/derecha y Enter. A esta página puede accederse en cualquier momento con varias presiones de la tecla Escape dedicada. Cada presión de la tecla Escape lo lleva de regreso al menú previo hasta que se alcance el menú principal. Esta página muestra las siguientes opciones: HISTORIA, ESTATUS, EDITAR Y DEPURAR. (Vea el apéndice - "Sistema de menú").

3.2 OPERACIÓN DE TRANSFERENCIA AUTOMÁTICA

Para seleccionar la operación automática, haga lo siguiente:

1. Asegúrese de que los contactos principales del interruptor de transferencia estén en su posición de UTILITY (servicio público), es decir las cargas conectadas a la energía pública (Figura 3.1).
2. Asegúrese que haya un suministro normal de energía PÚBLICA a las orejas del interruptor de transferencia N1 y N2 (consulte la sección de datos eléctricos).
3. Ponga el interruptor de AUTO/OFF/MANUAL del generador en AUTO.
4. Fije el interruptor principal del circuito en su posición ON (o en CLOSED).

Con los pasos precedentes completos, el generador arrancará automáticamente cuando el voltaje de la energía pública cae debajo de un nivel predeterminado. Luego de que arranca la unidad, las cargas se transfieren a la fuente de energía de respaldo. Consulte la sección de Secuencia de operación automática.

3.3 SECUENCIA DE OPERACIÓN AUTOMÁTICA

3.3.1 FALLA DE SERVICIO PÚBLICO

Condiciones iniciales: Generador en Auto, listo para funcionar, carga suministrada por la fuente de energía pública. Cuando el servicio público falla (por debajo del 60% del nominal), se inicia un retardo de interrupción de línea de 10 segundos (opcionalmente programable sólo en los modelos de 17 y 20 kW). Si el servicio público no se restaura cuando el tiempo expira, el motor arrancará. Una vez arrancado, se inicia un temporizador de 5 segundos para calentamiento del motor. Cuando el temporizador de calentamiento expira, el control transferirá la carga al generador. Si se restaura el servicio eléctrico público (por encima del 80% del valor nominal) en cualquier momento desde la iniciación del arranque del motor hasta que el generador esté listo para aceptar carga (y el tiempo de calentamiento de 5 segundos no se ha completado), el controlador completará el ciclo de arranque y llevará al generador a su ciclo normal de enfriamiento, sin embargo, la carga permanecerá en el servicio público.

3.3.2 ARRANQUE

El sistema controlará el ciclo de arranque así: 16 segundos de arranque, siete (7) segundos descanso, 16 segundos de arranque, siete (7) segundos de descanso, seguidos por tres (3) ciclos adicionales de siete (7) segundos de arranque seguidos por siete (7) segundos de descanso.

Operación del choke

1. Los motores de 990/999cc tienen un choke eléctrico en la caja de aire que se controla automáticamente por el tablero de control electrónico.
2. Los motores de 530cc tienen un choke eléctrico en la manguera de ingreso de aire del panel divisor que se controla automáticamente por el tablero de control electrónico.
3. Los motores de 410cc tienen un choke eléctrico detrás de la caja de aire que se controla automáticamente por el tablero de control electrónico.

Falla de arranque

Esto se define como cualquiera de las siguientes ocurrencias durante el arranque:

1. No se alcanza la soltura del arranque durante el ciclo de arranque especificado. La soltura del arrancador se define como cuatro (4) ciclos a 1,000 RPM.
2. Se alcanza la soltura del arranque, pero no se alcanza las 2200 RPM en 15 segundos. En este caso el tablero de control irá a un ciclo de descanso por siete (7) segundos, luego continuará el resto del ciclo de arranque.

Durante un ciclo de descanso las salidas de combustible y arranque son de-energizadas y la salida del magneto hace corto a tierra.

Condiciones de arranque

Las siguientes notas se aplican durante el ciclo de arranque.

1. El motor del arrancador no engancha dentro de los cinco (5) segundos del apagado del motor.
2. La salida de combustible no está energizada con el arrancador.
3. Las salidas del arrancador y el magneto serán energizadas juntas.
4. Una vez que el arrancador está energizado, el tablero de control empezará a buscar la rotación del motor. Si no ve una señal RPM dentro de tres (3) segundos se apagará y se enganchará como pérdida de sensor RPM.
5. Una vez que el tablero de control ve una señal RPM, energizará el solenoide de combustible, abrirá el acelerador y continuará la secuencia de arranque.
6. El motor arrancador se desenganchará cuando la velocidad alcanza la soltura del arrancador.
7. Si el generador no alcanza los 2200 RPM dentro de los 15 segundos, ocurrirá un ciclo de re-arranque.
8. Si el motor deja de cambiar entre soltura de arrancador y 2200 RPM, el tablero irá a un ciclo de descanso por siete (7) segundos y luego re-arrancará (si existen ciclos adicionales de arranque).
9. Una vez arrancado, el generador esperará un período antes de empezar a monitorear la presión de aceite y su temperatura (consulte los tiempos de espera en la sección de mensajes de alarma).
10. Durante el arranque manual, si el interruptor de Modo se mueve de la posición Manual, el arranque se detiene inmediatamente.
11. Durante el modo Auto, si el servicio público regresa, el ciclo de arranque NO aborta, sino continúa hasta que se completa. Una vez que el motor arranca, funcionará por un minuto, y luego se apagará.

3.3.3 TRANSFERENCIA DE CARGA

La transferencia de carga cuando el generador está funcionando depende del modo de operación como sigue:

1. Manual
 - No transferirá al generador si el servicio público está presente.
 - Transferirá al generador si el servicio público falla (debajo del 65% del nominal por 10 segundos consecutivos).
 - Transferirá de regreso cuando el servicio público regresa por 15 segundos consecutivos. El motor continuará funcionando hasta que salga del modo Manual.

2. Automático
 - Arrancará y funcionará si el servicio público falla por 10 segundos consecutivos.
 - Inicialmente un temporizador de calentamiento del motor, de 5 segundos.
 - No transferirá si el servicio público regresa.
 - No transferirá al generador si el servicio público aun no está presente.
 - Transferirá de regreso al servicio público una vez que este retorne (por encima del 75% del nominal) por 15 segundos.
 - Transferirá de regreso al servicio público si el generador se apaga por cualquier razón (como que el interruptor esté en posición OFF), o exista una alarma de apagado.
 - Luego de la transferencia, se apagará el motor luego de un minuto de tiempo de enfriamiento.
3. Ejercicio
 - No ejercerá si el generador está ya funcionando ya sea en modo Auto o Manual.
 - Durante el ejercicio, el controlador sólo transferirá si el servicio público falla durante el ejercicio por 10 segundos, y cambiará a modo Auto.

3.3.4 SERVICIO PÚBLICO RESTAURADO

Condición inicial: Generador suministrando energía a la carga del cliente. Cuando el servicio público regresa (por encima del 80% del nominal), se iniciará un temporizador de 15 segundos de regreso al servicio público. Al finalizar este temporizador, si el suministro público está aún presente y es aceptable, el control transferirá la carga de regreso al servicio público y hará funcionar el motor en un periodo de enfriamiento de un minuto y luego se apagará. Si el suministro público falla por tres segundos durante este periodo de enfriamiento, el control transferirá la carga de regreso al generador y continuará funcionando mientras monitorea el retorno del servicio público.

3.4 OPERACIÓN DE TRANSFERENCIA MANUAL

3.4.1 TRANSFERENCIA A LA FUENTE DE ENERGÍA DEL GENERADOR

Para arrancar el generador y activar el interruptor de transferencia manualmente, proceda como sigue:

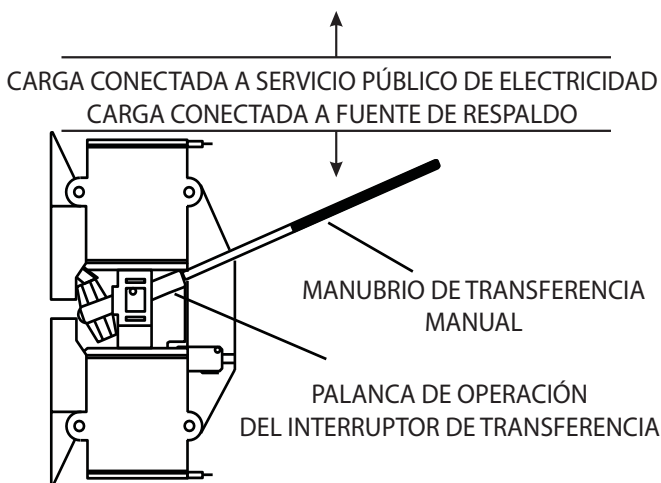
1. Ponga el interruptor de AUTO/OFF/MANUAL en la posición OFF.
2. Fije el interruptor principal del circuito en su posición OFF (o en OPEN).
3. Apague el suministro de energía pública al interruptor de transferencia usando los medios provistos (como un interruptor de línea principal pública).

⚠ PELIGRO

⚠ No intente activar el interruptor de transferencia manualmente hasta que todos los suministros de voltaje al interruptor hayan sido positivamente apagados. El no apagar todas las fuentes de voltaje puede traer como resultado un choque eléctrico extremadamente peligroso y posiblemente fatal.

4. Use el manubrio de transferencia manual dentro del interruptor de transferencia para mover los contactos principales a su posición de STANDBY, es decir las cargas conectadas a la fuente de energía de respaldo (Figura 3.3).

Figura 3.3 – Operación manual del interruptor de transferencia



5. Para arrancar el motor, ponga el interruptor de AUTO/OFF/MANUAL en MANUAL.
6. Deje que el motor se estabilice y caliente por unos minutos.
7. Fije el interruptor principal del circuito en su posición ON (o en CLOSED). La fuente de energía de respaldo ahora energiza las cargas.

3.4.2 TRANSFERENCIA DE REGRESO AL SERVICIO ELÉCTRICO PÚBLICO

Cuando se ha restaurado el servicio público, transfiera de regreso a esa fuente y apague el generador. Esto se logra como sigue:

1. Fije el interruptor principal del circuito en su posición OFF (o en OPEN).
2. Haga funcionar por un minuto o dos sin carga para estabilizar las temperaturas internas.
3. Ponga el interruptor de AUTO/OFF/MANUAL del generador en la posición OFF (o en OPEN). El motor debería apagarse.
4. Revise que la energía pública al interruptor de transferencia se encuentre apagada.

⚠ PELIGRO

⚡ No intente activar el interruptor de transferencia manualmente hasta que todos los suministros de voltaje al interruptor hayan sido positivamente apagados. El no apagar todas las fuentes de voltaje puede traer como resultado un choque eléctrico extremadamente peligroso y posiblemente fatal.

5. Use el manubrio de transferencia manual dentro del interruptor de transferencia para mover los contactos principales a su posición de UTILITY (servicio público), es decir las cargas conectadas a la fuente de energía pública (Figura 3.2).
6. Encienda la energía pública al interruptor de transferencia usando los medios provistos.
7. Coloque el sistema en operación automática como se indica en la sección Operación de transferencia automática.

3.5 COMPARTIMIENTO LATERAL (FIGURAS 3.4 Y 3.5)

Los códigos locales pueden requerir que este compartimiento esté cerrado. Se proporciona un pestillo para que el propietario pueda asegurar el compartimiento con su propio candado. Revise los códigos locales en su área.

3.5.1 INTERRUPTOR PRINCIPAL DEL CIRCUITO

Este es un interruptor de dos polos con valores de acuerdo a la sección de Especificaciones.

3.5.2 LUCES EXTERIORES DE LISTO

- La luz LED verde de 'Listo' se enciende cuando el servicio público está presente y el interruptor está en AUTO indicando que el generador está listo y cuando el generador está funcionando.
- La luz del LED rojo de 'Alarma' se enciende cuando el generador está apagado o se detecta una falla. (Ver la sección de sistemas de protección).
- Luz de LED amarillo de 'Mantenimiento' (Ver la sección de sistemas de protección.)

3.5.3 SALIDA DE 120 VAC GFCI E INTERRUPTOR DE 15 AMP (16, 17 Y 20 KW SOLAMENTE)

Estos modelos están equipados con una toma GFCI externa de 15 amperios y 120 voltios que está ubicada en un compartimiento a la derecha del generador (Figura 1.3).

Cuando el generador está funcionando, en ausencia del servicio público, esta toma también se puede usar para energizar ítems fuera de su hogar como luces o herramientas de potencia. Esta toma puede también usarse cuando la energía pública está presente haciendo funcionar el generador en modo manual. Esta toma no proporciona energía si el generador no está funcionando. Esta toma está protegida por un interruptor de circuito de 15 amperios en el mismo compartimiento que la salida. (No usar cuando el generador está funcionando en modo de ejercicio).

Figura 3.4 – Compartimiento lateral



Figura 3.5 – Compartimiento lateral abierto

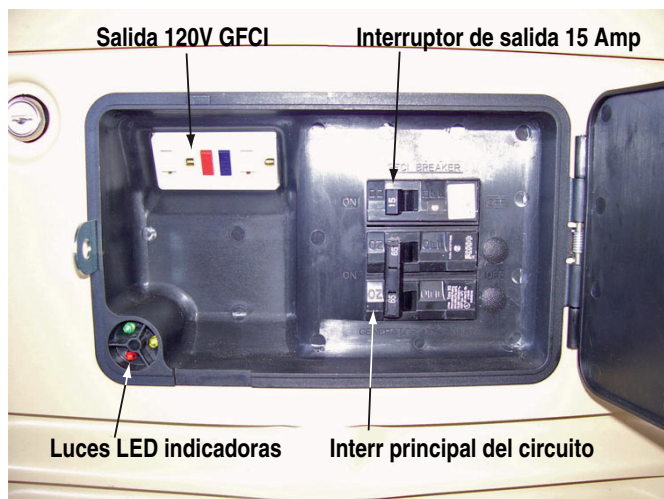
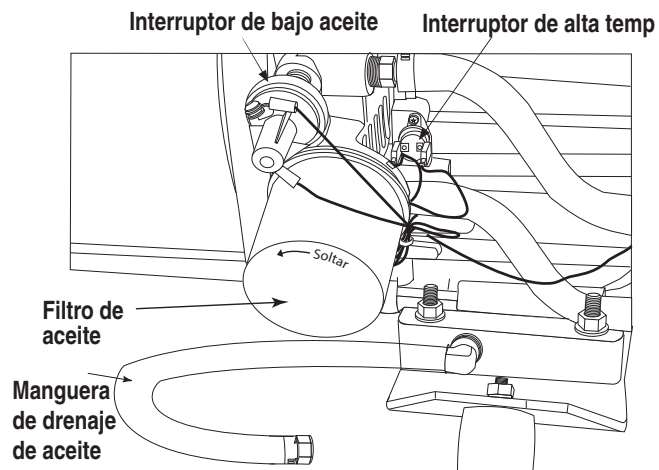


Figura 3.6 – Baja presión de aceite e interruptores de alta temperatura



3.6 SISTEMAS DE PROTECCIÓN

3.6.1 ALARMAS

Prioridad más alta (pestillo) mostrada en el panel de control y el LED rojo externo. Tienen que anularse antes de que el mensaje de alarma se vaya. El registro de alarma registra cada ocurrencia (ver Apéndice - “Sistema de menú”).

Baja presión de aceite (alarma de apagado)

Un retraso de cinco segundos en el arranque y 7 segundos una vez que el motor está funcionando.

Este interruptor (Figura 3.6) tiene contactos normalmente cerrados que se mantienen abiertos por la presión de aceite de motor durante la operación. Si la presión de aceite cae debajo del rango de los 5 PSI, los contactos del interruptor se cierran y el motor se apaga. La unidad no se reiniciará hasta que se verifique el nivel de aceite.

Alta temperatura del motor (alarma de apagado – Auto reinicio)

Un retardo de 10 segundos al arranque y un segundo antes del apagado, Auto reinicio cuando la condición se apaga y reinicia el motor si hay una señal válida de arranque presente.

Los contactos del interruptor (Figura 3.6) se cierran si la temperatura excede aproximadamente 144° C (293° F), iniciando un apagado del motor. Una vez que la temperatura del aceite cae a un nivel seguro, los contactos del interruptor se abren otra vez.

Sobrearranque (alarma de apagado)

Esto ocurre si el motor no ha arrancado dentro del ciclo específico de arranque. (Ver sección “arranque”)

NOTA:

La manguera de drenaje de aceite puede estar ruteada en la dirección opuesta como se muestra en la figura.

Sobrevelocidad (alarma de apagado)

4320 RPM por tres (3) segundos o 4500 RPM inmediatamente. Esta característica protege al generador del daño apagándolo si ocurre que funciona más rápido que el límite predeterminado. Esta protección también evita que el generador suministre una salida que pudiera dañar potencialmente aparatos conectados al circuito del generador. Contacte al concesionario más cercano si ocurre una falla.

Pérdida de sentido de RPM (alarma de apagado)

Durante el arranque, si el tablero de control no ve una señal válida de RPM dentro de tres segundos, se apagará y bloqueará en la pérdida de sentido RPM. Mientras el motor está funcionando, si la señal RPM se pierde por un segundo, el tablero de control apagará el motor, espere 15 segundos y vuelva a arrancar el motor. Si no hay señal RPM detectada dentro de los primeros 3 segundos del arranque, el tablero de control apagará el motor y se enganchará como pérdida de sentido RPM. Si se detecta la señal RPM, el motor arrancará y funcionará normalmente. Si consiguientemente la señal RPM se pierde nuevamente, el tablero de control tratará una vez más de arrancar antes de engancharse y mostrar el mensaje de falla de sensor RPM.

Baja frecuencia (alarma de apagado)

Luego del arranque, si el generador permanece con baja frecuencia por más de 30 segundos, se apagará. El ajuste de baja frecuencia es 50 Hz.

Falla interna (alarma de apagado)

Esta alarma no puede apagarse, llame al concesionario de servicio.

Bajo voltaje (alarma de apagado)

Si el voltaje del generador cae por debajo de 60% del nominal por más de cinco (5) segundos, se apaga.

Sobrevoltaje (alarma de apagado)

Si el voltaje del generador se eleva por encima del 110% del nominal por más de tres (3) segundos, se emitirá una alarma y la unidad se apagará.

Si el voltaje del generador se eleva por encima del 130% del nominal por más de tres (0.2) segundos, se emitirá una alarma y la unidad se apagará.

Cancelar Alarma

Apague la alarma colocando el interruptor de AUTO/OFF/MANUAL en la posición OFF. Presione la tecla ENTER para desenganchar la falla activa y apagar el correspondiente mensaje de alarma.

3.6.2 ADVERTENCIAS

Segunda prioridad (sin pestillo) mostrada en el panel de control y el LED amarillo externo (sólo V-twins). Las advertencias se apagan automáticamente cuando la condición monitoreada se aleja. Las advertencias se registran en el registro de alarmas. Las advertencias no pueden hacer que el motor se apague.

Batería baja

El tablero de control monitorea el voltaje de la batería y muestra una advertencia si este cae por debajo de 11.9 voltios por un minuto. La advertencia se apaga automáticamente si el voltaje de la batería se eleva encima de los 12.4 voltios. El voltaje de la batería no se monitorea durante el ciclo de arranque.

Error de ejercicio

Si el periodo de ejercicio se corrompe, se mostrará un mensaje de advertencia. Este mensaje sólo se apagará cuando el periodo de ejercicio se reinicie.

3.6.3 ALERTAS DE MANTENIMIENTO

Tercera prioridad

Mensaje de mantenimiento

Cuando el periodo de mantenimiento expire, se mostrará un mensaje de advertencia. La alerta se puede reiniciar presionando la tecla Enter, que hará que se le pida al usuario confirmar la acción. El reinicio apagará la alerta y reiniciará los contadores de mantenimiento para todas las condiciones anunciadas. El registro de historial guardará la alerta. El contador de mantenimiento no se acumulará sin energía de la batería. Una vez que la energía de la batería se restablezca, se mostrará un pedido para fijar el tiempo. Los contadores de mantenimiento serán ajustados a una nueva fecha y hora.

NOTA:

Ya que la mayoría de alertas de mantenimiento ocurrirán al mismo tiempo (la mayoría tiene intervalos de dos años), sólo uno aparecerá en la pantalla al mismo tiempo. Una vez que la primera alerta se haya apagado, la siguiente alerta activa se mostrará.

4.1 FUSIBLE

El fusible de 7.5 amp en el panel de control protege el circuito de control DC contra sobrecargas (Figuras 3.1 y 3.2). Este fusible está cableado en serie con la punta de salida de la batería al panel. Si este elemento fusible está abierto el motor no podrá arrancar. Reemplace este fusible sólo con un fusible de reemplazo idéntico de 7.5 amperios. Siempre que este fusible se saque o reemplace, el temporizador del ejercicio debe reiniciarse.

4.2 REVISAR EL NIVEL DE ACEITE DEL MOTOR

Vea en la sección de especificaciones las capacidades de aceite. Vea los aceites recomendados en la sección de Recomendaciones de aceite de motor.

Cuando los apagones hacen que se necesite el generador por periodos extensos de tiempo, el nivel de aceite debe revisarse diariamente.

Para revisar el nivel de aceite del motor, proceda como sigue (Figuras 4.1, 4.2 y 4.3):

1. Si el generador está funcionando durante un apagón, primero apague todas las cargas asociadas que funcionan en la residencia. Segundo, gire el interruptor de circuito principal del generador a la posición OFF.
2. Mueva el interruptor de AUTO/OFF/MANUAL en la posición OFF.
3. Retire la varilla y séquela con un trapo limpio.
4. Inserte completamente la varilla, luego retirela otra vez. El nivel de aceite deberá estar en la marca "Full" (lleno). Si es necesario, agregue aceite hasta la marca "Full" solamente. NO LLENE POR ENCIMA DE LA MARCA "FULL".
5. Instale la varilla.
6. Vuelva a poner el interruptor de AUTO/OFF/MANUAL en su posición original.
7. Si el generador estuvo funcionando durante un apagón, gire primero el interruptor principal del circuito de regreso a la posición ON. Segundo, encienda las cargas necesarias de la residencia.

▲CUIDADO

▲ **Nunca opere el motor con el nivel de aceite por debajo de la marga "Add" (agregar) de la varilla. Esto puede dañar el motor.**

Figura 4.1 — Varilla de aceite y llenado, 8kW

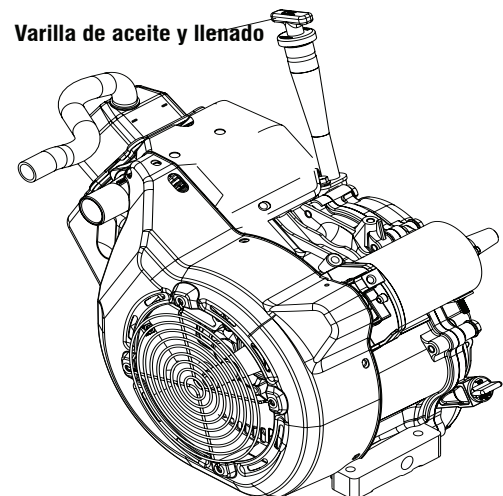
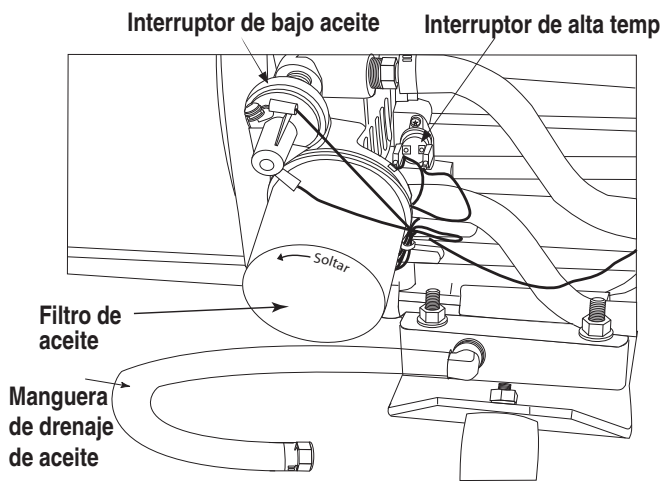


Figura 4.4 – Manguera de drenaje de aceite y filtro



4.4 CAMBIO DEL LIMPIADOR DE AIRE DEL MOTOR

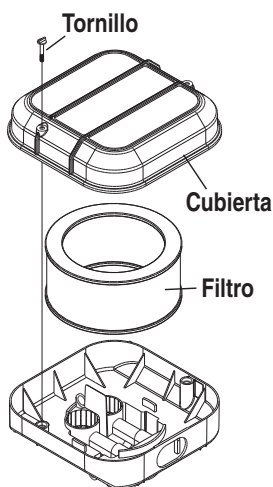
4.4.1 GENERADORES DE 13, 14, 16, 17 Y 20KW

Vea la ubicación del limpiador de aire en la sección “El generador”. Utilice los siguientes procedimientos (Figura 4.5):

1. Levante el techo y retire la puerta.
2. Gire los dos tornillos en sentido antihorario para soltarlos.
3. Retire la cubierta y el filtro de aire.
4. Limpie el polvo y los residuos dentro de la caja de aire y alrededor de los bordes.
5. Instale el nuevo limpiador de aire en la caja de aire.
6. Instale la cubierta. Gire los dos tornillos de cubierta en sentido horario para ajustar.

Vea en la sección de Agenda de servicio el mantenimiento del limpiador de aire. Vea el número de parte del reemplazo del filtro de aire en la sección de Especificaciones.

**Figura 4.5 — 13, 14, 16, 17 y 20kW
Limpiador de aire del motor**

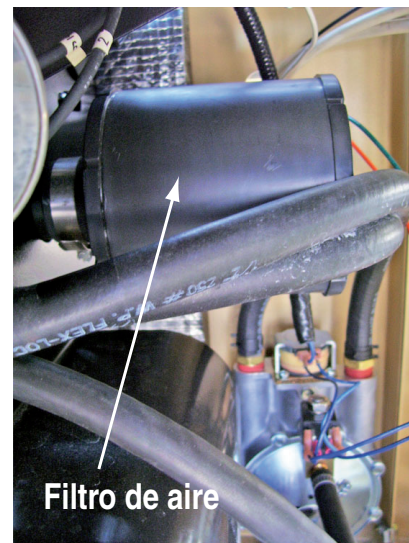


4.4.2 GENERADORES DE 10KW

Vea la ubicación del limpiador de aire en la sección “El generador”. Utilice el siguiente procedimiento (Figura 4,6):

1. Levante el techo y retire la puerta.
2. Gire la abrazadera sin fin en sentido antihorario para soltarla.
3. Tire el filtro antiguo fuera del panel divisor.
4. Limpie el polvo o residuos del panel.
5. Instale el nuevo limpiador de aire en el lugar.
6. Gire la abrazadera sin fin en sentido horario para ajustarla.
7. Vuelva a colocar la puerta y el techo.

Figura 4.6 — Limpiador de aire del motor de 10kW

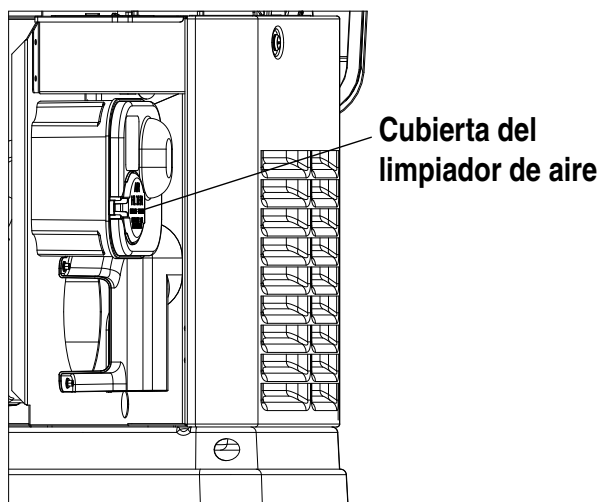


4.4.3 GENERADOR DE 8 KW

Ver la sección de “El Generador” para ubicar la caja de aire. Use los siguientes procedimientos para reemplazar el filtro de aire sucio dentro de la caja de aire (Figura 4.7).

1. Levante el techo y retire la puerta.
2. Empuje hacia atrás en el pestillo de la puerta de acceso del filtro de aire amarillo para abrirla.
3. Tire hacia afuera el filtro de aire antiguo y descarte en forma apropiada.
4. Instale el nuevo filtro, el extremo abierto primero dentro de la caja de aire.
5. Cierre la puerta amarilla y presione hasta cerrar.
6. Reemplace la puerta y cierre el techo en forma segura.

Figura 4.7 — Limpiador de aire del motor de 8kW

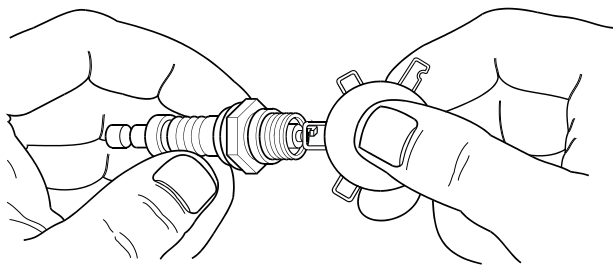


4.5 BUJIA(S)

Vuelva a colocar la tapa de la bujía o reemplace la bujía si es necesario. Vea los requerimientos de mantenimiento en la sección de agenda de servicio.

1. Limpie el área alrededor de la base de la bujía para sacar el polvo y la suciedad del motor.
2. Retire la bujía y revise su condición. Reemplace la bujía si está usada o es imposible volverla a usar. Vea la inspección recomendada en la sección de agenda de servicio. Limpie usando un cepillo de alambre y un solvente comercial. No golpee la bujía al limpiarla.
3. Revise el espacio de la bujía usando un calibrador. Ajuste el espacio a 0.76 mm (0.030 pulg) para 8, 10 y 20kW; y 1.02 mm (0.040 pulg) para 13, 14, 16 y 17kW doblando con cuidado el electrodo de tierra (Figura 4.8).

Figura 4.8 – Fijando el espacio de la bujía



4.6 MANTENIMIENTO DE LA BATERÍA

La batería deberá inspeccionarse según la sección "Agenda de servicio". El siguiente procedimiento deberá seguirse en la inspección:

1. Inspeccione los bornes de la batería, su ajuste y si hay corrosión. Ajuste y limpie si es necesario.
2. Revise el nivel de fluido de la batería en las batería no selladas y, si es necesario, rellene con agua destilada solamente. No use agua corriente en las baterías.
3. Haga revisar el estado de la carga y la condición. Esto deberá hacerse con un hidrómetro para baterías de automóviles.

⚠ PELIGRO

⚠ No arroje la batería al fuego. La batería puede explotar.

⚡ Una batería presenta un riesgo de choque eléctrico y una gran corriente de cortocircuito. Las siguientes precauciones serán observadas al trabajar con baterías:

- Retire el fusible de 7.5A del panel de control del generador.
- Retire los relojes, anillos y otros objetos metálicos;
- Use herramientas con manubrios aislados;
- Use guantes y botas de goma;
- No deje herramientas ni partes metálicas encima de la batería ni
- Desconecte la fuente de carga antes de conectar o desconectar los terminales de la batería.

⚠ ADVERTENCIA

⚠ No abra ni mutile la batería. El electrolítico liberado es dañino para la piel y ojos y es tóxico.

⚠ El electrolito es ácido sulfúrico diluido que es dañino para la piel y los ojos. Es conductor eléctrico y corrosivo. Se debe observar los siguientes procedimientos:

- Use protección completa para los ojos y ropa protectora;
- Donde hubo contacto del electrolito con la piel, lave inmediatamente con agua;
- Donde haya contacto del electrolito con los ojos, enjuague completa e inmediatamente con agua y busque atención médica; y
- El electrolito derramado debe lavarse con un agente neutralizador de ácido. Una práctica común es usar una solución de 1 libra (1/2 kilo) de bicarbonato de sodio en 1 galón (4 litros) de agua. La solución de bicarbonato de sodio se debe añadir hasta que la evidencia de la reacción (espuma) haya cesado. El líquido resultante debe enjuagarse con agua y el área deberá secarse.

⚠ Las baterías de plomo-ácido presentan riesgo de fuego porque generan gas hidrógeno. Se debe seguir los siguientes procedimientos:

Mantenimiento

- **NO FUME cerca de la batería;**
- **NO haga fuego ni chispas en el área de la batería y**
- **Descargue la electricidad estática del cuerpo antes de tocar la batería, tocando primero una superficie metálica conectada a tierra.**

⚠ Asegúrese que el interruptor AUTO/OFF/MANUAL se encuentre en la posición de OFF antes de conectar los cables de la batería. Si el interruptor se coloca a AUTO o MANUAL, el generador puede arrancar tan pronto como se conectan los cables de batería.

⚠ Asegúrese de que el suministro público de electricidad esté apagado y que el fusible de 7.5A esté fuera del panel de control del generador, ya que puede ocurrir una chispa en los bornes de la batería ya que los cables están juntos y causar una explosión.

4.7 AJUSTANDO LA CLARIDAD DE LA VÁLVULA ING GH-410/GT-530/990/999

Luego de las primeras 6 horas de operación, revise la claridad de la válvula en el motor y ajústela si es necesario.

Importante: Si se siente incómodo al hacer este procedimiento o no tiene las herramientas apropiadas, por favor contacte al concesionario para solicitar ayuda. Este es un paso muy importante para asegurar la mayor vida de su motor.

Para revisar la claridad de la válvula:

- El motor deberá estar frío antes de revisarlo. Si la claridad de la válvula es 0.002" - 0.004" (0.05 - 0.1mm), no es necesario el ajuste.
- Retire los cables de la bujía y coloque los cables lejos de sus conexiones.
- Retire las bujías.
- Asegúrese de que el pistón esté en el centro muerto (TDC o Top Dead Center) de su recorrido de compresión (ambas válvulas cerradas). Para colocar el pistón en TDC, retire la pantalla de la toma de ingreso al frente del motor para tener acceso a la tuerca del volante. Use un dado grande y una llave de dados para girar la tuerca y el motor en sentido horario. Mientras mira el pistón a través del agujero de la bujía. El pistón deberá moverse de arriba a abajo. El pistón está en TDC cuando está en su más alto punto de recorrido.

Para ajustar la claridad de la válvula (si es necesario), (Figura 4.9):

- Asegúrese de que el motor esté a 60° - 80° F.
- Asegúrese de que el cable de la bujía se haya retirado de esta y esté lejos.
- Retire los cuatro tornillos que unen la cubierta de la válvula.
- Suelte la contratuerca del brazo inestable. Utilice una llave allen de 10mm para girar el taco de bola pivote mientras revisa la claridad entre el brazo inestable y el vástago de la válvula con un calibrador graduador. La claridad correcta es de 0.002-0.004 pulgadas (0.05-0.1 mm).

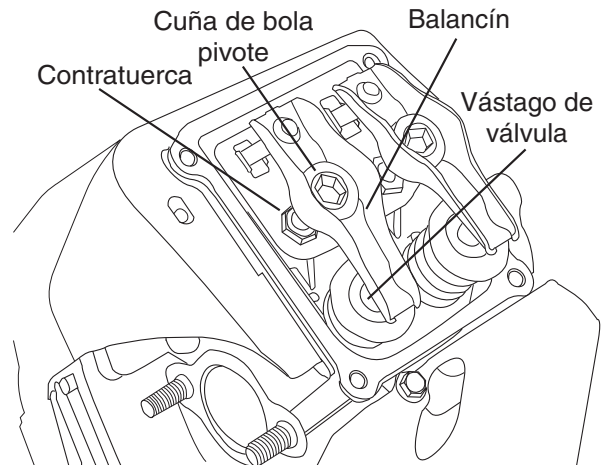
NOTA:

Sostenga la contratuerca del brazo inestable en su lugar mientras se gira el taco de bola pivote.

Cuando la claridad de la válvula sea la correcta, sostenga el taco de bola pivote en su lugar con una llave allen y ajuste la contratuerca del brazo inestable. Ajuste la contratuerca a un torque de 174 pulg-lib. Luego de ajustar la contratuerca, vuelva a revisar la claridad de la válvula para asegurarse de que no cambie.

- Instale una nueva junta de cubierta de la válvula.
- Vuelva a unir la cubierta de la válvula.

Figura 4.9 - Ajuste de claridad de la válvula



NOTA:

Empiece a ajustar los cuatro tornillos antes del ajuste final o no será posible poner a todos los tornillos en su lugar. Asegúrese de que la junta de la cubierta de la válvula esté en su lugar.

- Instale las bujías.
- Vuelva a unir el cable de bujía a esta.
- En el GT-530 y GT-990/999, repita el proceso para el otro cilindro.

4.8 SISTEMA DE ENFRIAMIENTO

Las aberturas de entrada y salida en el compartimento del generador deben estar abiertas y sin obstrucciones para una operación continua apropiada. Esto incluye obstrucciones como césped alto, malahierba, arbustos, hojas y nieve.

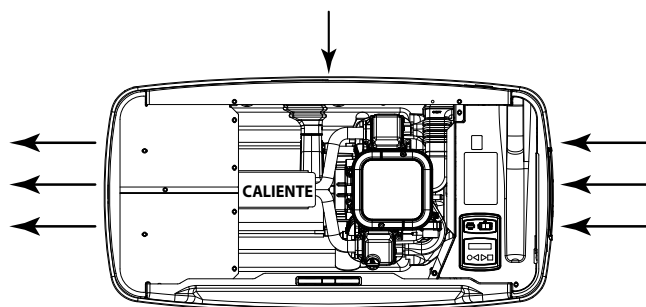
Sin suficiente enfriamiento y aire de ventilación, el motor/generador se sobrecalienta rápidamente, lo que hace que se apague. (Vea las ubicaciones de los respiraderos en la Figura 4.10).

Asegúrese que las puertas y el techo estén en su lugar durante la operación ya que hacer funcionar el generador sin ellas puede afectar el movimiento del aire de enfriamiento.

⚠ ADVERTENCIA

⚠ El escape de este producto se calienta en extremo y permanece caliente luego del apagado. El césped alto, la malahierba, arbustos, hojas, etc deben permanecer lejos del escape. Tales materiales pueden encenderse y quemarse por el calor del sistema de escape.

Figura 4.10 – Respiraderos de enfriamiento



4.9 ATENCIÓN LUEGO DE LA SUMERSIÓN

Si el generador ha sido sumergido en agua, **NO DEBE** arrancarse ni operarse. Luego de sumergirse en agua, haga que el concesionario lo limpie completamente y lo inspeccione. Si la estructura (o la casa) ha sufrido una inundación, deberá inspeccionarla un electricista certificado para asegurarse que no habrá problemas eléctricos durante la operación del generador o cuando regrese la electricidad pública.

4.10 PROTECCIÓN CONTRA CORROSIÓN

Lave y encere periódicamente la caja usando productos para automóviles. Se recomienda un lavado frecuente en lugares costeros y de abundante sal. Pulverice los enlaces del motor con un aceite ligero como el WD-40.

4.11 PROCEDIMIENTO FUERA DE SERVICIO

4.11.1 RETIRO DEL SERVICIO

Si el generador no puede ejercitarse siete días y va a estar fuera de servicio por un plazo de 90 días, prepare el generador para su almacenamiento como sigue:

1. Arranque el motor y déjelo calentar.
2. Cierre la válvula de cierre en la línea de suministro de combustible y deje que la unidad se apague.
3. Una vez que la unidad se ha apagado, cambie a la posición OFF.
4. Fije el interruptor principal del circuito en su posición OFF (o en OPEN).
5. Fije el interruptor AUTO/OFF/MANUAL en OFF y apague la energía de la red pública al interruptor de transferencia. Retire el fusible de 7.5A del panel de control del generador. Desconecte los cables de la batería como se describe en "Peligros generales".
6. Mientras el motor está todavía caliente por el funcionamiento, drene completamente el aceite. Rellene el cárter con aceite. Ver "Recomendaciones de aceite de motor".
7. Coloque una etiqueta en el motor indicando la viscosidad y clasificación del aceite en el cárter.
8. Retire la bujía y pulverice un agente empañador en las aberturas roscadas de la(s) bujía(s). Reinstale y ajuste la(s) bujía(s).
9. Retire la batería y almacénela en un lugar fresco y seco en una caja de madera. Nunca almacene la batería sobre piso de concreto o tierra.

10. Limpie el generador completo.

4.11.2 RETORNO AL SERVICIO

Para regresar la unidad al servicio luego del almacenamiento, proceda como sigue:

1. Verifique que la unidad esté apagada y que el interruptor de AUTO/OFF/MANUAL esté colocado en OFF.
2. Revise la etiqueta del motor, la viscosidad del aceite y su clasificación. Verifique que se use el aceite recomendado correcto en el motor (vea la sección de Recomendaciones de aceite del motor). Si es necesario, drene y rellene con el aceite apropiado.
3. Revise el estado de la batería. Llene todas las celdas de las baterías no selladas hasta el nivel apropiado con agua destilada. **NO USE AGUA CORRIENTE EN LA BATERÍA.** Recargue la batería al 100 por ciento de su estado de carga o en su defecto, reemplácela. Vea el tamaño y tipo en "Especificaciones".
4. Limpie el generador completo.
5. Asegúrese que se retire el fusible de 7.5A del panel de control del generador. Reconecte la batería. Observe la polaridad de la batería. Puede haber daños si la batería se conecta incorrectamente.
6. Abra la válvula de cierre.
7. Inserte el fusible de 7.5A al panel de control del generador. Arranque la unidad moviendo el interruptor de AUTO/OFF/MANUAL a MANUAL. Deje calentar la unidad completamente.
8. Deténgala colocando el interruptor de AUTO/OFF/MANUAL en la posición OFF.
9. Encienda la energía pública a interruptor de transferencia.
10. Ponga el interruptor de AUTO/OFF/MANUAL en la posición AUTO.
11. El generador está ahora listo para el servicio.

NOTA:

Si la batería estaba muerta o desconectada, el temporizador de ejercicio, la fecha y hora actual deben ser reiniciados.

4.11.3 ACCESORIOS

Tenemos accesorios disponibles para mejorar el rendimiento de los generadores enfriados por aire.

- **Kits para climas fríos** se recomiendan en áreas donde las temperaturas regularmente caen por debajo de 10° F (-12° C).
- **Kits de mantenimiento programado** incluyen todas las piezas necesarias para realizar el mantenimiento del generador junto con recomendaciones para el aceite.
- **Bloqueo de interruptor de transferencia auxiliar** permite a cualquiera de los interruptores de transferencia bloquear completamente una carga eléctrica grande con su sistema de control.
- **Una cubierta tipo faldón** es estándar en todas las unidades de 20kW. Está disponible para todas las otras unidades enfriadas por aire de producción actual. Se une para proporcionar una apariencia contorneada así como protección contra roedores e insectos.
- **El sistema de monitor remoto** es una caja inalámbrica montada en interiores que indica el estatus de funcionamiento del generador y permite el programa de ejercicios así como proporciona recordatorios de mantenimiento.
- **Kits de retoque de pintura** son muy importantes para conservar la apariencia e integridad de la caja del generador. Estos kits incluyen pintura para retoques e instrucciones si se necesitara.

Para mayores detalles sobre los accesorios, por favor contacte al concesionario.

4.12 AGENDA DE MANTENIMIENTO

ATENCIÓN: Se recomienda que todo trabajo de servicio sea realizado por el concesionario más cercano.

SISTEMA/COMPONENTE	PROCEDIMIENTO			FRECUENCIA
X = Acción R = Reemplazar si es necesario * = Notificar al concesionario si se necesita reparación.	Inspeccionar	Cambiar	Limpiar	S = Semanal M = Mensual Y = Anual
COMBUSTIBLE				
Líneas de combustible y conexiones*	X			M
LUBRICACIÓN				
Nivel de aceite	X			M o 24 horas de operación continua.
Aceite		X		2Y o 200 horas de operación.**
Filtro del Aceite		X		2Y o 200 horas de operación.**
ENFRIAMIENTO				
Persianas de la caja	X		X	S
BATERÍA				
Retire la corrosión, asegurar sequedad	X		X	M
Limpie y ajuste los terminales de la batería	X		X	M
Revise el estado de la carga	X	R		CADA 6M
Nivel del electrolito	X	R		CADA 6M
MOTOR Y MONTAJE				
Limpiador de aire	X	R		2Y o 200 horas
Bujía(s)	X	R		2Y o 200 horas
CONDICIÓN GENERAL				
Vibración, ruido, fugas, temperatura*	X			M
AFINAMIENTO COMPLETO*	A SER COMPLETADO POR UN CONCESIONARIO			2Y o 200 horas
* Contacte al concesionario más cercano si necesita ayuda.				
** Cambie el aceite y el filtro luego de las primeras ocho (8) horas de operación y luego cada 200 horas desde ahí, o 2 años, lo que ocurra primero. Cambie más pronto cuando se opera bajo cargas pesadas o en un ambiente polvoriendo o sucio o en altas temperaturas ambientales.				

5.1 GUÍA DE DETECCIÓN DE PROBLEMAS

Problema	Causa	Corrección
El motor no enciende.	<ol style="list-style-type: none"> 1. Fusible volado. 2. Suetos, corrodidos o defectuosos cables de batería 3. Contactor de arranque defectuoso. (8 kW) 4. Motor de arranque defectuoso. 5. Batería muerta. 	<ol style="list-style-type: none"> 1. Corrija la condición de cortocircuito, reemplace el fusible de 7.5A en el panel de control del generador. 2. Ajuste, limpie o reemplace los si es necesario. 3. * 4. * 5. Cargue o reemplace la batería.
El motor intenta arrancar, pero no arranca.	<ol style="list-style-type: none"> 1. Sin combustible 2. Solenoide de combustible defectuoso (FS). 3. Abra el cable #14 del tablero de control del motor. 4. Bujía(s) obstruida(s). 5. Holgura de la válvula fuera de ajuste. 6. Choke no opera. 	<ol style="list-style-type: none"> 1. Llene combustible/gire la válvula de combustible. 2. * 3. * 4. Limpie, calibre o reemplace la(s) bujía(s). 5. Ajuste la holgura de la válvula. 6. Ve a que la placa del choke se mueva con libertad.
El motor arranca con dificultad y funciona con brusquedad.	<ol style="list-style-type: none"> 1. Limpiador de aire tapado o está dañado. 2. Bujía(s) obstruida(s). 3. Incorrecta presión de combustible. 4. Selector de combustible en la posición incorrecta. 5. El choke permanece cerrado. 	<ol style="list-style-type: none"> 1. Revise, reemplace el limpiador de aire. 2. Limpie, calibre o reemplace la(s) bujía(s). 3. Confirme que la presión de combustible al regulador sea de 10-12" de columna de agua (0.36-0.43 psi) para GLP, y 5-7" de columna de agua (0.18-0.25 psi) para gas natural. 4. Mueva el selector a la posición correcta. 5. Verifique que la placa del choke se mueva con libertad.
AUTO/OFF/MANUAL interruptor puesto en OFF, pero el motor continúa funcionando.	<ol style="list-style-type: none"> 1. Interruptor defectuoso. 2. Interruptor AUTO/OFF/MANUAL Cableado incorrectamente. 3. Tablero de control defectuoso. 	<ol style="list-style-type: none"> 1. * 2. * 3. *
No hay salida AC del generador.	<ol style="list-style-type: none"> 1. El interruptor de circuito de la línea principal está en la posición OFF (o en OPEN). 2. Falla interna del generador. 	<ol style="list-style-type: none"> 1. Reinicie el interruptor del circuito a ON (o CLOSED). 2. *
No hay transferencia a respaldo luego que la red pública falla de fuente.	<ol style="list-style-type: none"> 1. Bobina de interruptor de transferencia defectuoso. 2. Relé de transferencia defectuoso. 3. Circuito de relé de transferencia abierto. 4. Tablero lógico de control defectuoso. 	<ol style="list-style-type: none"> 1. * 2. * 3. * 4. *
La unidad consume grandes cantidades de aceite.	<ol style="list-style-type: none"> 1. Motor sobrecargado de aceite. 2. Tipo o viscosidad de aceite inapropiado. 3. Junta, sello o manguera dañadas 4. Respirador del motor defectuoso. 	<ol style="list-style-type: none"> 1. Ajuste el aceite al nivel apropiado. 2. Ver "Recomendaciones de aceite de motor". 3. Revise si hay fugas de aceite. 4. *

***Contacte al concesionario más cercano si necesita ayuda.**

6.1 NAVEGACIÓN DEL SISTEMA DE MENÚ

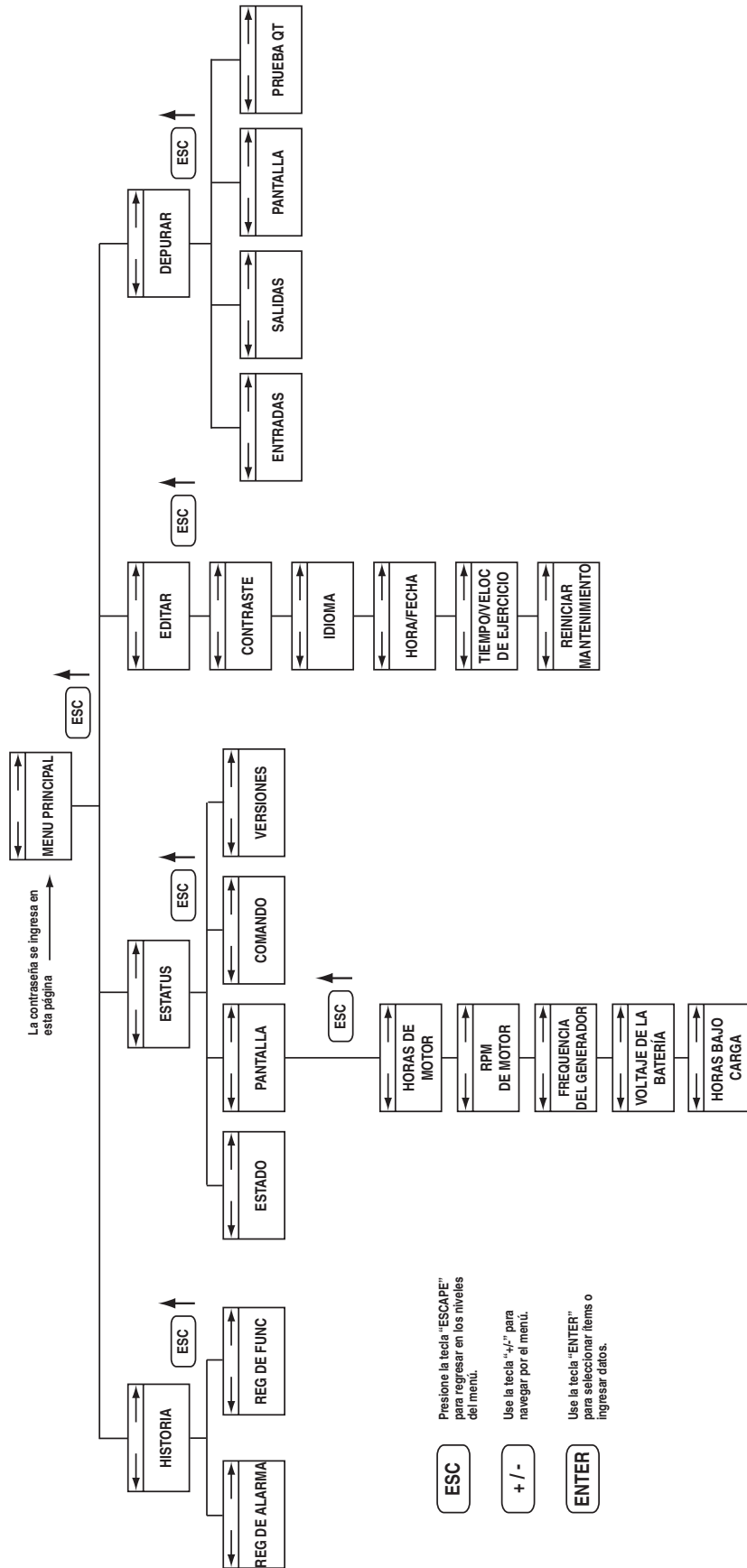
Para ir al MENU, use la tecla "Esc" desde cualquier página. Es posible que se necesite presionar varias veces antes de llegar a la página del menú. El menú actualmente seleccionado se muestra como una palabra que destella. Navegue al menú requerido usando las teclas +/- . Cuando el menú requerido está destellando, presione la tecla ENTER. Dependiendo del menú seleccionado, puede haber una lista de opciones presentadas. Use el mismo método de navegación para seleccionar la pantalla deseada (consulte el diagrama de Sistema de menú).

6.1.1 CAMBIO DE AJUSTES (MENÚ DE EDICIÓN)

Para cambiar un ajuste como el contraste de la pantalla, vaya al menú EDIT y use las teclas +/- para navegar al ajuste que se cambiará. Una vez que el ajuste se muestre, (por ej. contraste), presione la tecla ENTER para ir al modo de edición. Use las teclas +/- para cambiar el ajuste, presione la tecla ENTER para almacenar el nuevo ajuste.

NOTA:

Si no se presiona la tecla ENTER para grabar el nuevo ajuste, sólo se guardará temporalmente. La siguiente vez que la batería se desconecte, el ajuste revertirá al su valor anterior.



PARA GENERADORES DE 10 KW Y MENOS

DECLARACIÓN DE GARANTÍA DE CONTROL DE EMISIONES SUS DERECHOS Y OBLIGACIONES DE GARANTÍA

La Agencia de protección ambiental de los Estados Unidos (EPA) y Generac Power Systems, Inc. (Generac) se complacen en explicar la garantía del sistema de control de emisiones para su nuevo equipo del año 2008 o posterior. equipo nuevo que use motores pequeños de chispa deben estar diseñados, contruidos y equipados para cumplir estándares anti-smog muy exigentes para el gobierno federal. Generac garantizará los sistemas de emisión en su motor por el periodo de tiempo listado abajo siempre que no haya abuso, negligencia, modificación o mantenimiento inapropiado de su equipo.

Su sistema de control de emisión puede incluir partes como: carburador, sistema de ignición, sistema de combustible, convertidor catalítico, y otros componentes asociados relacionados a la emisión (si los tuviera).

COBERTURA DE LA GARANTÍA DEL FABRICANTE:

Este sistema de control de emisión está garantizado por dos años. Si durante este periodo de garantía se encuentra que cualquier parte relacionada a las emisiones está defectuosa en materiales o mano de obra, se efectuará las reparaciones o el intercambio por parte de un concesionario de servicio autorizado de Generac.

RESPONSABILIDADES DE GARANTÍA DEL PROPIETARIO:

Como propietario del generador, usted es responsable de completar todos los mantenimientos requeridos tal como se lista en el manual del propietario proporcionado por la fábrica. Para propósitos de garantía, Generac recomienda que usted conserve todos los recibos que cubren el mantenimiento de su generador, pero Generac no puede rehusar la garantía sólo debido a la falta de recibos.

Como propietario del generador, usted deberá ser consciente de que Generac puede negar cualquier y/o todas las coberturas y responsabilidades de la garantía si su generador, o una parte o componente del mismo, ha fallado debido al abuso, negligencia, mantenimiento inapropiado o modificaciones no aprobadas, o el uso de repuestos falsos o del mercado negro no fabricados, suministrados o aprobados por Generac.

Usted es responsable de contactar a un concesionario autorizado de garantía de Generac tan pronto se presente el problema. Las reparaciones de garantía deberán completarse en un tiempo razonable, sin exceder los 30 días.

El servicio de garantía puede arreglarse contactando ya sea a su concesionario de venta o a un concesionario de servicio de garantía autorizado de Generac. Para ubicar al concesionario de servicio de garantía autorizado de Generac más cercano a usted, llame a nuestro número gratuito.

1-800-333-1322

NOTA IMPORTANTE: Esta declaración de garantía explica sus derechos y obligaciones bajo la Garantía del sistema de control de emisiones (ECS Warranty), que Generac le proporciona Generac siguiendo las leyes federales. También vea "Garantías limitadas de Generac para los sistemas de potencia de Generac, Inc." que se adjunta a este manual en una hoja separada, también proporcionada a usted por Generac. Tenga en cuenta que esta garantía no se aplicará a ningún daño incidental, consecuencial o indirecto causado por defectos en los materiales y mano de obra, o cualquier retraso en reparar o reemplazar las partes defectuosas. Esta garantía reemplaza a todas las otras garantías, expresas o implícitas. Específicamente, Generac no ofrece otras garantías como de mercantilidad o adecuación a un uso particular. Algunos estados no permiten limitaciones en cuánto dura una garantía implícita, de modo que la limitación expresada arriba puede no aplicarse a usted.

La garantía ECS se aplica sólo al sistema de control de emisiones de su nuevo equipo. Si hay algún conflicto en términos entre la garantía ECS y la garantía de Generac, se aplicará la de Generac. Ambas garantías describen derechos y obligaciones importantes respecto a su nuevo motor.

El servicio de garantía puede ser realizado sólo por un servicio de garantía autorizado de Generac. Cuando se requiera servicio de garantía, se debe presentar evidencia que muestre la fecha de venta al comprador/propietario original.

Si usted tuviera alguna pregunta respecto a sus derechos y responsabilidades de garantía, deberá ponerse en contacto con Generac en la siguiente dirección:

**ATENCIÓN DEPARTAMENTO DE GARANTÍAS
GENERAC POWER SYSTEMS, INC.
P.O. BOX 297 • WHITEWATER, WI 53190**

GARANTÍA DEL SISTEMA DE CONTROL DE EMISIONES

Garantía de sistema de control de emisiones (garantía ECS) para equipo que usa motores pequeños de chispa.

- (a) Aplicabilidad: Esta garantía se aplica a equipo que utiliza motores pequeños para fuera de pista. El periodo de garantía ECS empezará en la fecha en que el equipo nuevo es comprado por o entregado a su propietario/comprador final original y continuará por los siguientes 24 meses consecutivos.
- (b) Cobertura general de la garantía de emisiones: Generac garantiza al propietario/comprador final original del motor o equipamiento nuevo y a cada subsiguiente comprador/propietario que el ECS cuando se instaló estuvo:
 - (1) Diseñado, construido y equipado para cumplir con todas las regulaciones aplicables; y
 - (2) Libre de defectos en materiales y mano de obra que cause la falla de una parte garantizada en cualquier momento durante el periodo de garantía ECS.
- (c) La garantía sobre partes relacionadas a la emisión se interpretarán como sigue:
 - (1) Cualquier parte garantizada que no esté programada para reemplazo como mantenimiento requerido en el Manual del propietario será garantizada en el periodo de garantía ECS. Si fallara cualquier parte durante el periodo de garantía ECS, deberá ser reparado o reemplazado por Generac de acuerdo a la Subsección (4) más abajo. Cualquier parte así reparada o reemplazada bajo la garantía ECS deberá ser garantizada por el resto del periodo de garantía ECS.
 - (2) Cualquier parte garantizada que esté programada sólo para inspección regular como se especifica en el Manual del propietario será garantizada en el periodo de garantía ECS. Una declaración en el manual del propietario a efecto de “reparar o reemplazar según sea necesario” no reducirá el periodo de garantía ECS. Cualquier parte así reparada o reemplazada bajo la garantía ECS deberá ser garantizada por el resto del periodo de garantía ECS.
 - (3) Cualquier parte garantizada que esté programada para reemplazo según lo requiera el mantenimiento en el Manual del Propietario deberá ser garantizado por el periodo de tiempo antes del primer punto de reemplazo programado para esa parte. Si la parte falla antes del primer reemplazo programado, la parte será reparada o reemplazada por Generac de acuerdo a la Subsección (4) más abajo. Cualquier parte relacionada a las emisiones así reparada o reemplazada bajo la garantía ECS será garantizada por el resto del periodo antes del primer punto de reemplazo programado para aquella parte.
 - (4) La reparación o reemplazo de cualquier parte garantizada relacionada a las emisiones bajo esta garantía ECS deberá realizarse sin costo alguno para el propietario en un centro de servicio de garantía autorizado por Generac.
 - (5) No obstante las disposiciones de la subsección (4) arriba indicadas, los servicios o reparaciones por garantía deben ser proporcionados en una instalación de servicio autorizada por Generac.
 - (6) Cuando el motor sea inspeccionado por un centro de servicio de garantía autorizado de Generac, el propietario/comprador no será responsable de los costos de diagnóstico si la reparación se considera dentro de la garantía.
 - (7) A lo largo del periodo de garantía ECS, Generac mantendrá un suministro de partes garantizadas relacionadas a las emisiones suficiente para cumplir la demanda esperada para tales repuestos.
 - (8) Cualquier repuesto relacionado a la emisión autorizado y aprobado por Generac puede usarse en la ejecución de cualquier reparación o mantenimiento de garantía ECS y se proporcionará sin costo al comprador/propietario. Dicho uso no reducirá las obligaciones de garantía ECS de Generac.
 - (9) Los repuestos no aprobados, añadidos, modificados, falsos y/o del mercado negro no se pueden usar para modificar o reparar un motor Generac. Dicho uso invalida esta garantía ECS y será base suficiente para no aceptar un reclamo por garantía ECS. Generac no podrá ser declarado responsable por fallas de cualquier parte garantizada de un equipo Generac causadas por el uso de tales repuestos no aprobados, añadidos, modificados, falsos y/o del mercado negro.

LAS PARTES RELACIONADAS A LA EMISIÓN PUEDEN INCLUIR LO SIGUIENTE (SI SE TIENE):

- | | |
|---|---|
| <ul style="list-style-type: none"> 1) SISTEMA DE MEDICIÓN DE COMBUSTIBLE <ul style="list-style-type: none"> A. CARBURADOR Y PARTES INTERNAS B. REGULADOR DE PRESIÓN 2) SISTEMA DE INDUCCIÓN DE AIRE <ul style="list-style-type: none"> A. DISTRIBUIDOR DE ENTRADA B. FILTRO DE AIRE 3) SISTEMA DE IGNICIÓN <ul style="list-style-type: none"> A. BUJÍAS B. BOBINAS/MÓDULO DE IGNICIÓN | <ul style="list-style-type: none"> 4) SISTEMA DE INYECCIÓN DE AIRE <ul style="list-style-type: none"> A. VÁLVULA DE AIRE DE PULSO 5) SISTEMA DE ESCAPE <ul style="list-style-type: none"> A. CATALIZADOR B. REACTOR TÉRMICO C. DISTRIBUIDOR DE ESCAPE |
|---|---|

PARA GENERADORES DE 13 KW Y MÁS

Declaración de garantía de la Agencia de Protección Ambiental de los Estados Unidos

Derechos de garantía, obligaciones y cobertura

La Agencia de protección ambiental de los Estados Unidos (EPA) y Generac Power Systems, Inc. (Generac) se complacen en explicar la garantía del sistema de control de emisiones para su nuevo motor estacionario de emergencia. Si durante el periodo de garantía se encuentra defectuoso algún sistema de control de emisión o componente en materiales o manufactura, Generac reparará su motor sin costo para usted por el diagnóstico, reemplazo de repuestos, y mano de obra siempre que se haga en una instalación de servicio de garantía autorizada por Generac. Su sistema de control de emisión puede incluir partes como la medición de combustible, sistemas de arranque y escape y otros componentes relativos a la emisión que están listados abajo. Generac garantizará los sistemas de emisión en su motor del año 2009 y posterior siempre que no hayan sufrido abuso, negligencia, modificación o mantenimiento inapropiado de su motor. Para motores menores a 130 HP. el periodo de garantía es de dos años desde la fecha de venta al comprador final. Para motores mayores o iguales a 130 HP el periodo de garantía es tres años de la fecha en que el motor fue puesto en servicio.

Responsabilidades de la garantía del comprador/propietario

Como comprador/propietario del motor usted es responsable de lo siguiente. 1.) El motor debe ser instalado y configurado de acuerdo con las especificaciones de instalación de Generac. 2.) Completar todos los requerimientos de mantenimiento listados en su manual de propietario. 3.) Cualquier configuración del motor debe hacerse de acuerdo y en consistencia con las instrucciones del manual del propietario. 4.) Cualquier sistema de control de emisión o componente debe mantenerse y operarse apropiadamente con el fin de asegurar la operación apropiada del motor y el sistema de control para minimizar las emisiones en todo momento.

Generac puede negar cualquiera o todas las coberturas de la garantía del sistema de control de emisión o responsabilidad del motor o un sistema de control de emisión o componente de su motor, si ha fallado debido a abuso, negligencia, modificación no aprobada o mantenimiento inapropiado o el uso de partes falsas o del mercado negro no fabricadas, suministradas o aprobadas por Generac. El mantenimiento programado o el servicio de garantía pueden arreglarse contactando al representante de ventas o un servicio de garantía autorizado de Generac, al 888-GENERAC (888-436-3722) o a www.generac.com para conocer el representante más cercano a usted. El comprador/propietario será responsable de cualquier gasto y otros cobros que se incurra por llamadas de servicio y/o transporte del producto desde/hasta las instalaciones de inspección o reparación. El comprador/propietario será responsable por cualquier daño o pérdida incurridos mientras el motor está siendo transportado para inspección o reparaciones de garantía. Contacte a Generac Power Systems Inc. para mayor información relacionada con la garantía de sistemas de control de emisión, Generac Power Systems, Inc. P.O. Box 8, Waukesha, WI 53187, Teléfono 888-GENERAC (888-436-3722) o www.generac.com

Las partes relacionadas con la emisión incluyen lo siguiente (si está equipado)

- | | |
|--|---|
| 1) Sistema de medición de combustible | 3) Sistema de arranque incluido. |
| 1.1) Unidad de carburador de gasolina y componentes internos | a) Bujía, b) Módulo de arranque, |
| a) Filtro de combust, b) Carburador, c) Bomba de combustible | c) Bobina de arranque, d) Cables de bujía |
| 1.2) Unidad de carburación y sus componentes | 4) Sistema de escape |
| a) Controlador de combustible, b) Carburador y sus juntas, | a) Unidad de catalizador, b) Distribuidor de escape, |
| c) Mezclador y sus juntas, d) Regulador primario de gas | c) Silenciador, d) Tubería de escape, e) Junta de silenciador |
| e) Vaporizador de líquido | 5) Unidad de respirador de cárter que incluye: |
| 1.3) Regulador de combustible | a) Tubo de conexión de respiradero, b) Válvula de PCV |
| 2) Sistema de inducción de aire, que incluye: | 6) Sensor de oxígeno |
| a) Tubería/distribuidor de entrada, b) Limpiador de aire | 7) Sistema de control - emisión de diagnóstico |

Requerimientos de cumplimiento de la Agencia de Protección Ambiental de los Estados Unidos

Responsabilidades de archivamiento del comprador/propietario

La agencia de protección ambiental de los Estados Unidos (EPA) y Generac Power Systems, Inc. (Generac), se complacen en explicarle sus requerimientos en archivamiento para el cumplimiento de los estándares de rendimiento - Subparte JJJ para motores de combustión interna estacionarios de ignición por bujía tal como se lista en el Código electrónico de las regulaciones federales titulo 40 parte 60. Como propietario/comprador del motor y quien opera y mantiene su motor estacionario de emergencia certificado y sistema de control de emisiones de acuerdo a las guías relativas a las emisiones aplicable tal como se especifica en este manual de propietario, se requiere que usted cumpla las siguientes notificaciones y requerimientos de archivamiento para demostrar el cumplimiento. 1.) Conservar la documentación de que el motor está certificado para cumplir con los estándares de emisión. 2.) Archivamiento de material conducido. 3.) Archivamiento de la disposición de permite que los motores de gas natural operen usando propano para un máximo de 100 horas por año como combustible alternativo sólo durante las operaciones de emergencia siempre que el motor no esté certificado para operar con propano. 4.) Cumplir todas las notificaciones de cumplimiento enviadas al propietario/comprador y conservar toda la documentación probatoria. 5.) Archivar las horas de operación, incluyendo lo que clasificó la operación como emergencia y cuántas horas se gastó en operaciones no de emergencia. Para motores de emergencia mayores o iguales a 130 HP, el archivamiento de horas de operación empieza el 1º de Enero de 2011. Para motores de emergencia menores a 130 HP, el archivamiento de horas de operación empieza el 1º de Enero de 2009; los motores están equipados con medidores de horas no reseteables para facilitar el archivamiento.

Administraciones específicas de calidad de aire o distritos de control de polución de aire pueden tener requerimientos de reporte o de archivamiento adicionales y diferentes. Su permiso para construir y/u operar el motor puede estar sujeto al cumplimiento de tales requerimientos. Consulte con su administración local de calidad de aire o distrito de control de polución de aire los requerimientos específicos.

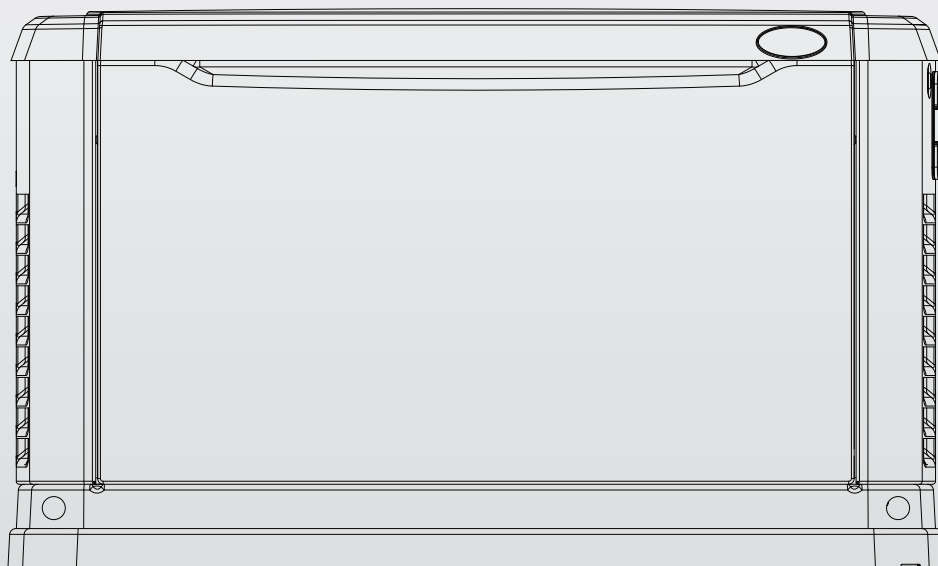
Los motores de combustión interna estacionarios de emergencia (ICE) pueden ser operados para revisiones de mantenimiento y pruebas de presteza, siempre que las pruebas sean recomendadas por el gobierno local, estatal o federal, Generac o la compañía de seguros asociada con el motor. Las revisiones de mantenimiento y pruebas de presteza de tales unidades se limita a 100 horas por año. No hay límite de tiempo en el uso de los ICE estacionarios de emergencia en situaciones de emergencia. El comprador/propietario puede solicitar al administrador la aprobación de horas adicionales a usarse para las revisiones de mantenimiento y pruebas de presteza, pero no se requiere solicitud si el propietario conserva registros que indiquen que los estándares locales, estatales o federales requieren el mantenimiento y pruebas de los ICE de emergencia más allá de las 100 horas por año. Los ICE estacionarios de emergencia pueden operar hasta 50 horas por año en situaciones de no emergencia, pero esas 50 horas se cuentan hacia las 100 horas por año proporcionadas para mantenimiento y pruebas. Las 50 horas por año para situaciones de no emergencia no se pueden usar para suprimir picos ni generar ingresos para que una instalación suministre energía a una grilla eléctrica o de otro modo suministre energía como parte de un arreglo financiero con otra entidad. Para el comprador/propietario de motores de emergencia, cualquier operación diferente a aquella de emergencia, mantenimiento y pruebas, y operación en situaciones de no emergencia por 50 horas por año, como se permite en esta sección, está prohibida.

Si usted opera y mantiene su motor de combustión interna SI estacionario de emergencia certificado y sistemas de control de emisiones de acuerdo con las especificaciones y guías en este manual del propietario, la EPA no requerirá pruebas de rendimiento del motor. Si no es así, su motor será considerado no certificado y usted debe demostrar el cumplimiento de acuerdo a la subparte JJJ - estándares de rendimiento para motores de combustión interna de arranque por bujía estacionarios tal como se lista en el Código eléctrico de regulaciones federales, titulo 40, parte 50.

Instrucciones de instalación relativas a las emisiones

Su motor estacionario de emergencia certificado tiene sistemas de control de emisiones prefijados o componentes que no requieren ajustes. La inspección y reemplazo de un componente relacionado con la emisión es necesario hacerlo de acuerdo a los requerimientos citados en la declaración de gatantía de la agencia de protección ambiental de los Estados Unidos o se pueden arreglar contactando a su concesionario o al servicio autorizado de garantía de Generac al 888-GENERAC (888-436-3722) o puede buscar en www.generac.com al concesionario más cercano a usted. El no seguir estas instrucciones al instalar un motor certificado en un motor no vial viola la ley federal 40 CFR 1068.105 (b), sujeta a multas o penalidades como se describe en el acta de aire limpio.

Manuel d'entretien



**Générateurs de secours
automatiques refroidis à l'air de
8, 10, 13, 14, 16, 17 et 20 kW**

Table des matières

Introduction	81	Fonctionnement.....	97
Lire attentivement ce manuel	81	3.1 Interface du panneau de commande	97
Règles de sécurité	81	3.2 Fonctionnement automatique du transfert	98
Contenu	81	3.3 Séquence de fonctionnement automatique	98
Fonctionnement et maintenance.....	81	3.4 Fonctionnement manuel du transfert.....	99
Comment obtenir l'entretien	81	3.5 Compartiment latéral.....	100
Index des normes.....	83	3.6 Systèmes de protection.....	101
Informations générales.....	84	Maintenance	102
1.1 Déballage/ inspection	84	4.1 Fusible	102
1.2 Systèmes de protection.....	84	4.2 Vérification du niveau d'huile du moteur	102
1.3 Exigence du NEC en matière de disjoncteur d'interruption de circuit de défaut d'arc pour les pièces habitables	84	4.3 Changement de l'huile du moteur	103
1.4 Informations relatives aux émissions	85	4.4 Changement du filtre à air du moteur	104
1.5 Le générateur	86	4.5 Bougie(s) d'allumage.....	105
1.6 Caractéristiques techniques	87	4.6 Entretien de la batterie	105
1.7 Prêt à fonctionner.....	88	4.7 Réglage du jeu des soupapes GH-410/GT-530/990/999.....	106
1.8 Exigences et recommandations en termes de carburant.....	88	4.8 Système de refroidissement	106
1.9 Consommation de carburant.....	88	4.9 Précaution après immersion	107
1.10 Reconfiguration du système de carburant	89	4.10 Protection contre la corrosion.....	107
1.11 Emplacement	90	4.11 Procédure de mise hors service.....	107
1.12 Exigences de la batterie	91	4.12 Calendrier d'entretien.....	109
1.13 Installation de la batterie	93	Dépannage.....	110
1.14 La batterie.....	93	5.1 Guide de dépannage.....	110
1.15 Chargeur de batterie	94	Annexe	111
Démarrage et ajustements après l'installation.....	94	6.1 Navigation dans le menu du système.....	111
2.1 Activer le générateur.....	94	Remarques	113
2.2 Avant le démarrage initial.....	94	Garantie	114
2.3 Vérification du fonctionnement du commutateur de transfert	94		
2.4 Vérifications électriques.....	96		
2.5 Tests du générateur sous charge	96		
2.6 Vérification du fonctionnement automatique	97		

INTRODUCTION

Nous vous remercions d'avoir acheté ce générateur entraîné par moteur compact, à haute performance, refroidi à l'air. Il est conçu pour fournir l'alimentation électrique afin de faire fonctionner les charges critiques pendant une coupure de courant.

Cette unité est installée en usine dans une enveloppe en métal imperméable qui **est exclusivement conçue pour une installation à l'extérieur**. Ce générateur fonctionnera à l'aide de propane liquide (PL) ou de gaz naturel (GN) retiré vapeur.

REMARQUE :

Ce générateur est approprié pour l'alimentation des charges résidentiels habituelles telles que les moteurs à induction (pompes de vidange, réfrigérateurs, climatiseurs, fours, etc.), les composants électriques (ordinateur, écran, télévision, TV, etc.), les charges d'éclairage et les micro-ondes.

LIRE ATTENTIVEMENT CE MANUEL

En cas d'incompréhension d'une partie de ce manuel, contacter le dépositaire le plus proche pour connaître les procédures de démarrage, de fonctionnement et d'entretien.

RÈGLES DE SÉCURITÉ

Dans tout ce manuel, et sur les étiquettes et sur les autocollants apposés sur le générateur, les blocs DANGER, AVERTISSEMENT, ATTENTION et REMARQUE servent à alerter le personnel d'instructions spéciales au sujet d'une opération spécifique qui peut s'avérer dangereuse si elle n'est pas effectuée correctement ou avec précaution. Les respecter attentivement. Leurs définitions sont les suivantes :

DANGER!

INDIQUE UNE SITUATION OU UNE ACTION DANGEREUSE QUI, SI ELLE N'EST PAS ÉVITÉE, ENTRAÎNERA LA MORT OU DES BLESSURES GRAVES.

AVERTISSEMENT!

Indique une situation ou une action dangereuse qui, si elle n'est pas évitée, pourrait entraîner la mort ou des blessures graves.

ATTENTION!

Indique une situation ou une action dangereuse qui, si elle n'est pas évitée, entraînera des blessures légères ou modérées.

REMARQUE :

Les remarques contiennent des informations supplémentaires importantes relatives à une procédure et se trouvent dans le corps de texte régulier de ce manuel.

Ces avertissements de sécurité ne peuvent pas éliminer les dangers qu'ils signalent. Le sens commun et le respect strict des instructions spéciales lors de l'action ou l'entretien sont essentiels pour éviter les accidents.

Quatre symboles de sécurité couramment utilisés accompagnent les blocs DANGER, AVERTISSEMENT et ATTENTION. Chacun indique le type d'informations suivant :

 Ce symbole indique des informations importantes relatives à la sécurité qui, si elles ne sont pas suivies, pourraient mettre en danger la sécurité personnelle et/ou les biens des autres.

 Ce symbole indique un risque potentiel d'explosion.

 Ce symbole indique un risque potentiel d'incendie.

 Ce symbole indique un risque potentiel d'électrocution.

L'opérateur est responsable de l'utilisation correcte et sûre de l'équipement. Le fabricant recommande fortement que l'opérateur lise ce *Manuel d'entretien* et comprenne parfaitement toutes les instructions avant d'utiliser cet équipement. Le fabricant recommande aussi fortement d'apprendre à d'autres utilisateurs comment correctement démarrer et faire fonctionner l'unité. Cela les prépare au cas où ils auraient besoin de faire fonctionner l'équipement pour une urgence.

CONTENU

Ce manuel contient des informations pertinentes du propriétaire pour ces modèles :

- Moteur GH-410 à un cylindre, 7 kW de GN, 8 kW de PL
- Moteur GT-530 à deux cylindres, 9 kW de GN, 10 kW de PL
- Moteur GT-990 à deux cylindres, 13 kW de GN, 13 kW de PL
- Moteur GT-990 à deux cylindres, 13 kW de GN, 14 kW de PL
- Moteur GT-990 à deux cylindres, 16 kW de GN, 16 kW de PL
- Moteur GT-990 à deux cylindres, 16 kW de GN, 17 kW de PL
- Moteur GT-999 à deux cylindres, 18 kW de GN, 20 kW de PL

FONCTIONNEMENT ET MAINTENANCE

L'opérateur a la responsabilité d'effectuer tous les contrôles de sécurité, afin de s'assurer que toute la maintenance pour le fonctionnement sûr est effectuée rapidement et que l'équipement est contrôlé régulièrement par un dépositaire. Le service de maintenance normal et le remplacement des pièces sont la responsabilité du propriétaire/ de l'opérateur et, en tant que tels, ne sont pas considérés comme des défauts matériels ou de fabrication selon les conditions de la garantie. Les habitudes et usages de fonctionnement individuels contribuent à la nécessité du service de maintenance.

La bonne maintenance et le bon entretien du générateur assurent un nombre minimal de problèmes et des dépenses d'exploitation minimales. Consulter un dépositaire pour obtenir des aides et des accessoires d'entretien.

COMMENT OBTENIR L'ENTRETIEN

Si un entretien ou des réparations sont nécessaires sur l'équipement, contacter un dépositaire pour obtenir de l'aide. Les techniciens d'entretien sont formés en usine et sont capables de gérer tous les besoins en entretien.

Lorsque vous contactez un dépositaire au sujet des pièces et de l'entretien, il faut toujours fournir les numéros de modèle et de série complets de l'unité qui sont indiqués sur son étiquette d'identification, qui est située sur le générateur. Voir la section « Le générateur » pour connaître l'emplacement de l'étiquette.

N° de modèle _____ N° de série _____

Exemple d'étiquette

MODEL	<input type="text"/>
SERIAL	<input type="text"/>
VOLTS	<input type="text"/>
AMPS	<input type="text"/>
1 PH, 60 Hz, RPM 3600	
RAINPROOF ENCLOSURE FITTED	
CLASS H INSULATION	
RATED AMBIENT TEMP - 25°C	
FOR STANDBY SERVICE	
NEUTRAL FLOATING	
MAX LOAD UNBALANCE-50%	
WHITEWATER, WIS MADE IN U.S.A.	

Règles de sécurité

! **CONSERVER CES CONSIGNES** – Le fabricant recommande que ces règles relatives au fonctionnement sûr soient copiées et affichées à proximité du site d'installation de l'unité. Tous les opérateurs et opérateurs potentiels de cet équipement doivent prendre conscience de la question de la sécurité.

Lire attentivement ces RÈGLES DE SÉCURITÉ avant l'installation, le fonctionnement ou l'entretien de cet équipement. Se familiariser avec ce *Manuel d'entretien* et l'unité. Le générateur peut fonctionner en toute sécurité, de façon efficace et de façon fiable uniquement s'il est correctement installé, utilisé et entretenu. De nombreux accidents sont dus au non-respect de règles ou précautions simples et essentielles.

Le fabricant ne peut pas anticiper toutes les situations possibles qui peuvent impliquer un danger. Les avertissements de ce manuel et figurant sur les étiquettes et les autocollants apposés sur l'unité ne sont, toutefois, pas exhaustifs. Si vous suivez une procédure, une méthode de travail ou une technique de fonctionnement que le fabricant ne recommande pas en particulier, assurez-vous qu'elle est sans danger pour les autres. S'assurer que la procédure, la méthode de travail ou la technique de fonctionnement choisie ne rende pas le générateur dangereux.

! DANGER!

! **Malgré la conception sûre de ce générateur, faire fonctionner ce générateur de façon imprudente, négliger sa maintenance ou ne pas prendre de précaution peut entraîner des blessures corporelles ou la mort. Autoriser uniquement les personnes responsables et compétentes pour installer, faire fonctionner et effectuer la maintenance de cet équipement.**

! **Ces machines génèrent des tensions potentiellement mortelles. S'assurer que toutes les étapes sont suivies pour rendre la machine sûre avant de commencer à travailler sur le générateur.**

! **Les pièces du générateur tournent et/ou se réchauffent pendant le fonctionnement. Soyez prudent si vous êtes à proximité des générateurs en fonctionnement.**

! **L'installation doit toujours respecter les codes, normes, lois et réglementations applicables.**

! **Un générateur en marche émet du monoxyde de carbone et du gaz toxique inodore et invisible. Respirer du monoxyde de carbone peut causer des céphalées, de la fatigue, des vertiges, des vomissements, une confusion, une attaque, des nausées, des évanouissements ou la mort.**

DANGERS GÉNÉRAUX

- Pour des raisons de sécurité, le fabricant recommande que cet équipement soit installé, entretenu et réparé par un dépositaire d'entretien ou autre électricien ou technicien d'installation compétent et qualifié qui connaît tous les codes, normes et réglementations applicables. L'opérateur doit respecter tous ces codes, normes et réglementations applicables.
- Les fumées d'échappement du moteur contiennent du monoxyde de carbone, qui peut s'avérer MORTEL. Ce gaz dangereux, s'il est respiré en concentrations suffisantes, peut entraîner une perte de conscience ou même la mort. Ne pas modifier ou ajouter le système d'échappement ou effectuer toute opération qui rendrait le système dangereux ou non conforme aux codes et normes applicables.
- Installer un détecteur d'oxyde de carbone à alimentation par batterie à l'intérieur, conformément aux instructions et aux recommandations du fabricant.

- Un débit approprié, non obstrué d'air de refroidissement et de ventilation est important pour corriger le fonctionnement du générateur. Ne pas modifier l'installation ou ne pas laisser même un blocage partiel de l'alimentation de ventilation, étant donné que cela peut sérieusement affecter le fonctionnement sûr du générateur. **Le générateur DOIT être installé et fonctionner à l'extérieur uniquement.**
- Tenir les mains, les pieds, les vêtements, etc., à distance des courroies de transmission, des ventilateurs et d'autres pièces mobiles ou chaudes. Ne jamais retirer toute courroie de transmission ou tout protège-ventilateur pendant que l'unité fonctionne.
- Lors du travail sur cet équipement, conserver l'alerte à tout moment. Ne jamais travailler sur l'équipement en cas de fatigue physique ou mentale.
- Inspecter régulièrement le générateur et contacter le dépositaire le plus proche pour les pièces qui nécessitent une réparation ou un remplacement.
- Avant d'effectuer toute maintenance sur le générateur, débrancher ses câbles de batterie afin d'empêcher un démarrage accidentel. Débrancher le câble de la borne de la batterie signalée par l'inscription NEGATIVE (Négatif), NEG ou (-) en premier, puis retirer le câble de la borne POSITIVE (Positif), POS ou (+). Lors du rebranchement des câbles, branchez le câble POSITIVE (Positif) en premier et le câble NEGATIVE (Négatif) en dernier.
- Ne jamais utiliser le générateur ou n'importe laquelle de ses pièces comme marche. Monter sur l'unité peut écraser et casser les pièces, et peut entraîner des conditions de fonctionnement dangereuses suite à une fuite de gaz d'échappement, une fuite de carburant, une fuite d'huile, etc.

DANGERS D'ÉCHAPPEMENT

- L'échappement du moteur du générateur contient du gaz de monoxyde de carbone toxique invisible et inodore MORTEL. Respirer du monoxyde de carbone peut causer : des vertiges, des palpitations, des nausées, des contractions musculaires, des céphalées, des vomissements, une faiblesse et une somnolence, une confusion, des évanouissements, une perte de conscience ou même la mort. Si vous ressentez l'un des symptômes liés à l'empoisonnement au monoxyde de carbone, respirez de l'air frais et consultez immédiatement un médecin.
- Ne jamais faire fonctionner le générateur à proximité d'un véhicule à l'intérieur d'un garage ou de tout autre espace clos.

DANGERS ÉLECTRIQUES

- Tous les générateurs traités par ce manuel produisent des tensions électriques dangereuses et peuvent entraîner une électrocution mortelle. Le réseau électrique délivre des tensions extrêmement élevées et dangereuses au commutateur de transfert comme le générateur de secours pendant son fonctionnement. Éviter le contact avec les fils nus, les bornes, les branchements, etc., pendant le fonctionnement de l'unité. S'assurer que tous les couvercles, les dispositifs de protection et les barrières sont en place, sécurisés et/ou verrouillés avant de faire fonctionner le générateur. Si un travail doit être effectué autour d'une unité en fonctionnement, rester sur une surface isolée et sèche pour réduire le risque de danger électrique.
- Ne jamais manipuler tout type de dispositif électrique qui est dans l'eau, alors que vous êtes pieds nus ou que vos mains ou vos pieds sont mouillés. CELA ENTRAÎNERA UN RISQUE D'ÉLECTROCUTION.

- Le National Electric Code (NEC) (Code électrique national) exige que le bâti et que les pièces externes électriquement conductrices du générateur soient correctement reliés à une terre approuvée. Les codes électriques locaux peuvent également exiger la bonne mise à la terre du système électrique du générateur.
- Après avoir installé ce système électrique de secours à usage domestique, le générateur peut tourner et démarrer à tout moment sans avertissement. Lorsque cela se produit, les circuits de charge sont transférés vers la source d'alimentation de SECOURS (générateur). Afin d'éviter des blessures éventuelles si de tels démarrages et transferts se produisent, toujours régler l'interrupteur AUTO/OFF/MANUAL (Auto/arrêt/manuel) sur la position OFF (Arrêt) avant de travailler sur l'équipement et retirer le fusible de 15 A du panneau de commande du générateur.
- En cas d'accident causé par électrocution, couper immédiatement la source d'alimentation électrique. Si cela est impossible, essayer de libérer la victime du conducteur sous tension. **ÉVITER TOUT CONTACT DIRECT AVEC LA VICTIME.** Utiliser un objet non conducteur, comme une corde ou une planche sèche, pour libérer la victime du conducteur sous tension. Si la victime est inconsciente, assurer les premiers secours et demander une aide médicale immédiate.
- Ne jamais porter de bijoux lors du travail sur cet équipement. Les bijoux peuvent être conducteurs et entraîner une électrocution ou peuvent se prendre dans les composants mobiles, entraînant des blessures.

RISQUES D'INCENDIE

- Pour la sécurité contre les incendies, le générateur doit être correctement installé et entretenu. **L'installation doit toujours respecter les codes, normes, lois et réglementations applicables.** Strictement respecter les codes de construction et électriques locaux, d'État et nationaux. Conformément aux réglementations, l'Occupational Safety and Health Administration (OSHA) (Gestion de la sécurité et la santé au travail) a été établi. S'assurer également que le générateur est installé conformément aux instructions et aux recommandations du fabricant. Après une bonne installation, ne rien faire qui pourrait altérer une installation sûre et rendre l'unité non conforme aux codes, normes, lois et réglementations susmentionnés.
- Garder un extincteur à proximité du générateur à tout moment. Les extincteurs portant la mention « ABC » par la National Fire Protection Association (Association nationale pour la protection contre les incendies) sont adaptés à une utilisation sur le système électrique de secours. Garder l'extincteur correctement chargé et se familiariser avec son utilisation. Consulter les pompiers locaux en cas de questions relatives aux extincteurs.

RISQUES D'EXPLOSION

- Ne pas fumer à proximité du générateur. Nettoyer immédiatement toute éclaboussure de carburant ou d'huile. S'assurer qu'aucune matière combustible ne reste dans, sur ou à proximité du générateur, étant donné que cela peut entraîner un INCENDIE ou une EXPLOSION. Garder l'espace environnant du générateur propre et sans débris.
- Les fluides gazeux tels que le gaz naturel et le propane liquide (PL) sont extrêmement EXPLOSIFS. Installer le système d'alimentation en carburant conformément aux codes en matière de carburant et de gaz. Avant de mettre en service le système électrique de secours à usage domestique, il faut purger les tuyaux du système de carburant et tester les fuites conformément au code applicable. Après l'installation, inspecter le système de carburant régulièrement afin de s'assurer qu'il n'y a pas de fuite. Aucune fuite n'est autorisée.

INDEX DES NORMES

En l'absence de normes, codes, réglementations et lois applicables, les informations publiées indiquées ci-dessous peuvent servir de directive pour l'installation de cet équipement.

1. NFPA n° 37, STATIONARY COMBUSTION ENGINES AND GAS TURBINES (Moteurs à combustion et turbines à gaz stationnaires), disponible auprès de la National Fire Protection Association (Association nationale pour la protection contre les incendies), 470 Atlantic Avenue, Boston, MA 02210.
2. NFPA n° 76A, ESSENTIAL ELECTRICAL SYSTEMS FOR HEALTH CARE FACILITIES (Systèmes électriques principaux destinés aux établissements de soins de santé), disponible comme précédemment.
3. NFPA n° 54, NATIONAL FUEL GAS CODE (Code national sur le gaz combustible), disponible comme précédemment.
4. NFPA n° 58, AMERICAN NATIONAL STANDARD FOR STORAGE AND HANDLING OF LIQUEFIED PETROLEUM GAS (Norme américaine en matière de stockage et de manipulation des gaz de pétrole liquéfiés), disponible comme précédemment.
5. NFPA n° 70, NFPA HANDBOOK OF NATIONAL ELECTRIC CODE (Manuel NFPA du code électrique national), disponible comme précédemment.
6. Article X, NATIONAL BUILDING CODE (Code de construction national), disponible auprès de l'American Insurance Association, 85 John Street, New York, N.Y. 10038.
7. AGRICULTURAL WIRING HANDBOOK (Manuel de câblage agricole), disponible auprès du Food and Energy Council, 909 University Avenue, Columbia, MO 65201.
8. ASAE EP-3634, INSTALLATION AND MAINTENANCE OF FARM STANDBY ELECTRICAL SYSTEMS (Installation et maintenance des systèmes électriques de secours pour les fermes), disponible auprès de l'American Society of Agricultural Engineers, 2950 Niles Road, St. Joseph, MI 49085.
9. NFPA n° 30, FLAMMABLE AND COMBUSTIBLE LIQUIDS CODE (Code relatif aux liquides inflammables et combustibles), disponible comme précédemment.

AVERTISSEMENT PROPOSITION 65 CALIFORNIE

L'échappement du moteur et certains de ses constituants sont susceptibles selon l'État de Californie d'entraîner des cancers, des malformations congénitales ou pouvant être nocifs pour le système reproductif.

AVERTISSEMENT PROPOSITION 65 CALIFORNIE

Ce produit contient ou émet des produits chimiques susceptibles selon l'État de Californie d'entraîner des cancers, des malformations congénitales ou autres maladies pouvant être nocives pour le système reproductif.

⚠ DANGER!

⚠ Seuls des électriciens ou des prestataires qualifiés doivent travailler sur ces installations, qui doivent être strictement conformes aux codes, normes et réglementations applicables.

1.1 DÉBALLAGE/ INSPECTION

Après le déballage, inspecter attentivement le contenu afin de s'assurer qu'il n'y a pas de dommage.

- Ce générateur de secours est prêt à être installé avec une plaque de pose fournie et pré-montée en usine et est équipé d'une enveloppe imperméable destinée à une **installation à l'extérieur uniquement**.
- Ce générateur de secours certifié UL peut être accompagné d'un commutateur de transfert automatique avec centre de distribution intégré. L'association du commutateur de transfert et du centre de distribution est précâblée avec un conduit de câbles de deux pieds et de 30 pieds. Des disjoncteurs pour les branchements du circuit de secours sont inclus (le cas échéant).
- Cet interrupteur bipolaire certifié UL est conçu pour 100 ou 200 ampères CA à 250 volts maximum. **Le commutateur de transfert de 100 A est destiné à une utilisation à l'intérieur uniquement. Le commutateur de transfert de 200 A est destiné à une utilisation à l'intérieur/ l'extérieur (le cas échéant).**

⚠ AVERTISSEMENT!

⚠ Si ce générateur est utilisé pour alimenter des circuits de charge électriques, normalement alimentés par une source d'alimentation publique, le code exige d'installer un commutateur de transfert. Le commutateur de transfert doit isoler de manière efficace le système électrique du système de distribution publique lorsque le générateur fonctionne (NEC 700, 701 et 702). Le fait de ne pas isoler un système électrique par ces moyens endommagera le générateur et peut également causer des blessures ou la mort pour les électriciens due(s) à la réalimentation de l'énergie électrique.

En cas de perte ou de dommage observé(e) lors de la livraison, faire noter à la (aux) personne(s) effectuant la livraison tout dommage sur la facture de transport ou les faire signer le document de perte ou de dommage du consignateur.

Si une perte ou un dommage est observé(e) après la livraison, mettre les matériaux endommagés à part et contacter le transporteur pour entamer des procédures de réclamation.

L'expression « avarie non apparente » est comprise comme désignant un dommage au contenu d'un colis qui n'est pas visible lors de la livraison mais est découvert plus tard.

Afin d'ouvrir correctement le toit, appuyer sur la lèvre supérieure centrale et relâcher le loquet. Si la pression n'est pas appliquée du dessus, le toit peut sembler bloqué. Toujours vérifier si le loquet latéral est déverrouillé avant d'essayer de soulever le toit.

1.2 SYSTÈMES DE PROTECTION

Contrairement à un moteur automobile, le générateur peut fonctionner pendant de longues périodes sans opérateur présent pour surveiller les conditions du moteur. Pour cette raison, le moteur est équipé des systèmes suivants afin de le protéger contre des conditions potentiellement nuisibles :

1. Détecteur de basse pression d'huile
2. Détecteur de haute température
3. Démarrage excessif
4. Survitesse
5. Capteur de régime du moteur
6. Batterie faible
7. Sous-fréquence
8. Sous-tension
9. Surtension
10. Défaillance interne

Sur le panneau de commande, des indications informent le personnel que l'une de ces défaillances s'est produite. Il y a également un message d'état sur l'écran qui s'affiche lorsque toutes les conditions décrites dans la section « Prêt à fonctionner » sont vraies.

1.3 EXIGENCE DU NEC EN MATIÈRE DE DISJONCTEUR D'INTERRUPTION DE CIRCUIT DE DÉFAUT D'ARC POUR LES PIÈCES HABITABLES

En 2001, le National Electric Code (NEC) (Code électrique national) a introduit une exigence relative à la nouvelle construction. Cette nouvelle exigence indique la nécessité que les interrupteurs de circuit de défaut d'arc soient utilisés afin de protéger tout le circuit de dérivation qui alimente une pièce habitable. L'exigence NEC actuelle est indiquée ci-dessous.

1.3.1 PROTECTION DE L'INTERRUPTEUR DE CIRCUIT DE DÉFAUT D'ARC DE LA SECTION 210.12

1. Définition : Un interrupteur de circuit de défaut d'arc est un dispositif conçu pour fournir une protection contre les effets des défaillances d'arc en reconnaissant les caractéristiques uniques de la formation d'arc et en fonctionnant afin de mettre hors tension le circuit en cas de défaut d'arc.
2. Pièces habitables : Tous les circuits de dérivation qui alimentent les prises de 125 volts, monophasées, de 15 et 20 ampères, installées dans les pièces habitables doivent être protégés par un interrupteur de circuit de défaut d'arc indiqué pour fournir une protection à tout le circuit de dérivation.

La section 210.12 exige que la protection d'interruption de circuit de défaut d'arc (AFCI) soit assurée sur les circuits de dérivation qui alimentent les prises (prise, éclairage, etc.) dans les pièces habitables. L'exigence se limite aux circuits de 15 et 20 ampères à 125 volts. Il n'y a aucune interdiction de fournir une protection AFCI sur les autres circuits ou dans d'autres endroits que les pièces. Étant donné que les circuits sont souvent partagés entre une pièce et d'autres endroits tels que les toilettes et les couloirs, le fait de fournir une protection AFCI sur tout le circuit serait conforme à la section 210.12.

Si pendant l'installation du système de secours à usage domestique, il a été décidé de fournir une alimentation de secours à un circuit de dérivation de pièce, il faut remplacer le disjoncteur du commutateur de transfert par un interrupteur de circuit de défaut d'arc.

Le plus important est que les disjoncteurs soient uniquement commutés de manière identique. Par exemple, en cas de remplacement d'un disjoncteur de 15 A, il DOIT être remplacé par un disjoncteur AFCI de 15 A. De même, un disjoncteur de 20 A DOIT être remplacé par un disjoncteur AFCI de 20 A.

Ces disjoncteurs AFCI sont disponibles au magasin de matériel le plus proche.

Code d'article Siemens	Description
Q115AF	AFCI unipolaire 15 A
Q120AF	AFCI unipolaire 20 A

1.4 INFORMATIONS RELATIVES AUX ÉMISSIONS

L'Agence pour la protection de l'environnement (EPA) exige que ce générateur soit conforme aux normes en matière d'émission d'échappement. Le générateur est certifié comme respectant tous les niveaux d'émission d'échappement EPA applicables. Pour plus d'informations relatives aux exigences établies par l'EPA, lire ce qui suit :

Le générateur est certifié pour l'utilisation d'un moteur stationnaire pour la protection d'énergie électrique de secours. Toute autre utilisation peut constituer une violation des lois fédérales et/ou locales. Il est important de suivre les caractéristiques techniques relatives à la maintenance contenues dans la section « Maintenance » afin de s'assurer que le moteur soit conforme aux normes applicables en matière d'émission pour la durée de vie du moteur. Ce moteur est certifié pour fonctionner au propane liquide et au gaz naturel riche. Le système de contrôle des émissions du générateur est composé des éléments suivants :

- Système de dosage du carburant
 - Carburateur/ mélangeur
 - Régulateur de carburant
- Système d'induction d'air
 - Pipe/ collecteur d'admission
 - Filtre à air
- Système d'allumage
 - Bougie d'allumage
 - Module d'allumage

La période de conformité des émissions à laquelle il est fait référence sur l'étiquette de conformité des émissions indique le nombre d'heures de fonctionnement pendant lesquelles le moteur a prouvé respecter les exigences fédérales en matière d'émission. Voir le tableau ci-dessous pour déterminer la période de conformité de ce générateur. Le déplacement du générateur est indiqué sur l'étiquette de conformité des émissions.

Déplacement	Catégorie	Période de conformité
< 66 cc	A	300 heures
	B	125 heures
	C	50 heures
≥ 66 cc - < 225 cc	A	500 heures
	B	250 heures
	C	125 heures
≥ 225 cc	A	1000 heures
	B	500 heures
	C	250 heures

1.5 LE GÉNÉRATEUR

Schéma 1.1 – Moteur GH-410 à un cylindre, 8 kW
(porte retirée)

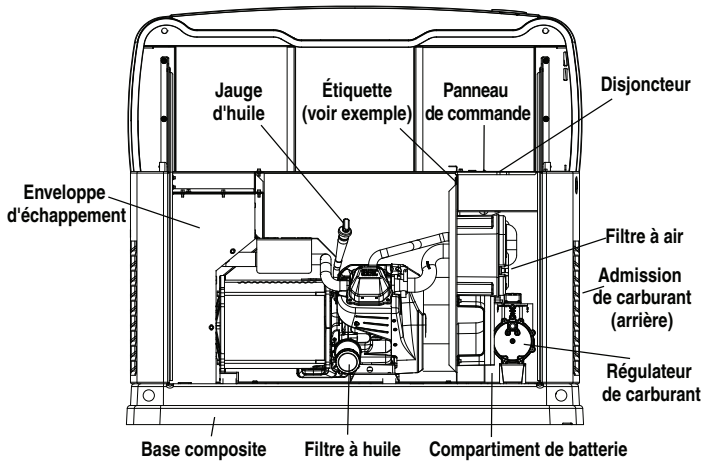


Schéma 1.2 – Moteur GT-530 à deux cylindres, 10 kW
(porte retirée)

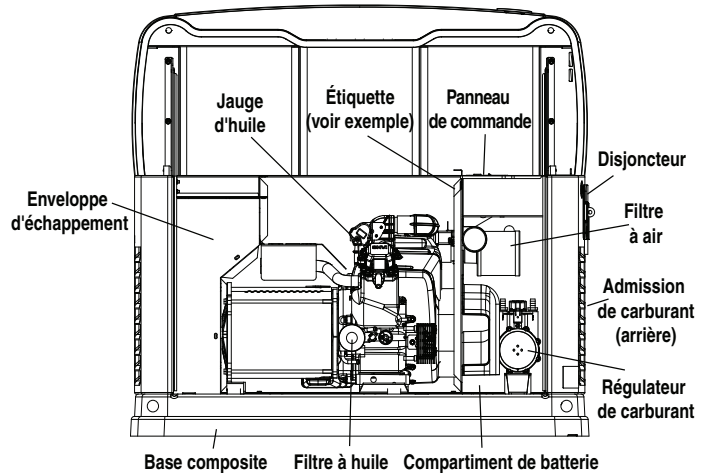
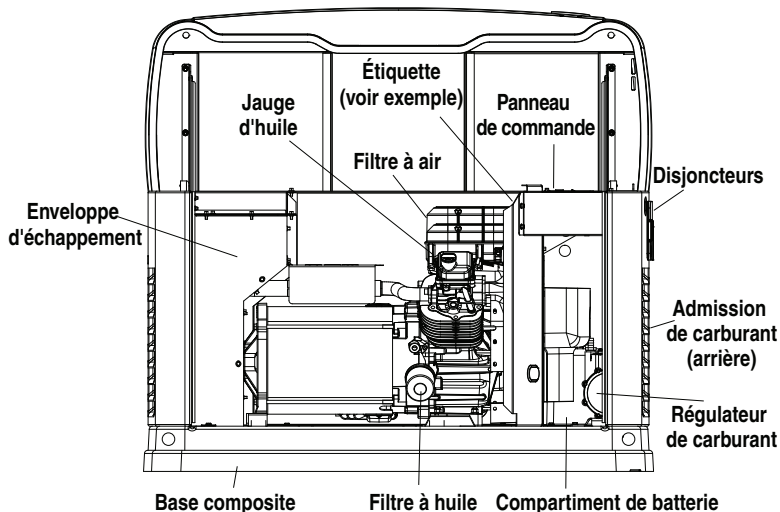


Schéma 1.3 – Moteur GT-990/ GT-999 à deux cylindres
(porte retirée), 13, 14, 16, 17 et 20 kW



Exemple d'étiquette

MODEL	<input type="text"/>
SERIAL	<input type="text"/>
VOLTS	<input type="text"/>
AMPS	<input type="text"/>
1 PH, 60 Hz, RPM 3600 RAINPROOF ENCLOSURE FITTED CLASS H INSULATION RATED AMBIENT TEMP - 25°C	
FOR STANDBY SERVICE	
NEUTRAL FLOATING	
MAX LOAD UNBALANCE-50%	
WHITWATER, WIS MADE IN U.S.A.	

1.6 CARACTÉRISTIQUES TECHNIQUES

1.6.1 GÉNÉRATEUR

Modèle	8 kW	10 kW	13 kW	14 kW	16 kW	17 kW	20 kW
Tension nominale	240						
Courant de charge nominal maximal (Amps) à 240 Volts (LP)*	33,3	41,6	54,1	58,3	66,6	70,8	83,3
Disjoncteur principal	35 A	45 A	55 A	60 A	65 A	65 A	100 A
Circuits** 50 A, 240 V	-	-	1	1	1	1	-
40 A, 240 V	-	1	1	1	1	1	-
30 A, 240 V	1	1	-	-	-	-	-
20 A, 240 V	1	-	1	1	1	1	-
20 A, 120 V	3	3	4	4	5	5	-
15 A, 120 V	3	5	4	4	5	5	-
Phase	1						
Nombre de pôles du rotor	2						
Fréquence nominale CA	60 Hz						
Exigence de la batterie	Groupe 26R, 12 volts et 350 ADF minimum		Groupe 26R, 12 volts et 525 ADF minimum				
Poids (unité uniquement en livres)	340	387	439	439	439	455/421	450
Enveloppe	Acier	Acier	Acier	Acier	Acier	Acier/ aluminium	Aluminium
Plage de fonctionnement normale	Cette unité est testée conformément aux normes UL 2 200 à une température de service comprise entre 20 °F (- 29 °C) et 122 °F (50 °C). Pour les régions où les températures chutent en dessous de 32 °F (0 °C), il est fortement recommandé de porter un vêtement isotherme. En cas de fonctionnement à une température supérieure à 77 °F (25 °C), la puissance du moteur peut diminuer. (veuillez vous reporter à la section sur les caractéristiques techniques du moteur).						
Ces générateurs sont classés en conformité avec UL2200, la « Safety Standard for Stationary Engine Generator Assemblies » (Norme de sécurité pour les assemblages de moteurs de générateur fixes) et la norme CSA-C22.2 N° 100-04 sur les moteurs et les générateurs.							
* Le gaz naturel est classé en fonction de la teneur en Btu du combustible spécifique. Les dépréciations typiques se situent entre 10-20 % de moins sur le débit de gaz du pétrole liquéfié.							
** Il faut protéger les circuits à déplacer par un disjoncteur de la même taille. Par exemple, un circuit de 15 A dans le même panneau doit être un circuit de 15 A dans le commutateur de transfert.							

1.6.2 MOTEUR

Modèle	8 kW	10 kW	13/ 14/ 16/ 17 kW	20 kW
Type de moteur	GH-410	GT-530	GT-990	GT-999
Nombre de cylindres	1	2	2	2
Cheval-vapeur nominal à 3 600 rpm*	14,8	18	32	36
Déplacement	410 cc	530 cc	992 cc	999 cc
Bloc-cylindres	Manchon en aluminium avec fonte			
Disposition des soupapes	Soupapes en tête			
Système d'allumage	Semi-conducteurs avec magnéto			
Bougie d'allumage recommandée	RC14YC	BPR6HS	RC14YC	RC12YC
Écartement de bougie d'allumage	0,76 mm (0,030 pouce)	0,76 mm (0,030 pouce)	1,02 mm (0,040 pouce)	0,76 mm (0,030 pouce)
Taux de compression	8,6:1	9,5:1	9,5:1	9,5:1
Démarrateur	12 VCC			
Capacité d'huile y compris le filtre	Env. 1,5 Qts	Env. 1,7 Qts	Env. 1,9 Qts	Env. 1,9 Qts
Filtre à huile recommandé	Réf. 070185F			
Filtre à air recommandé	Réf. 0G3332	Réf. 0E9581	Réf. 0C8127	Réf. 0G5894
Fonctionnement RPM	3 600			
* La puissance de l'appareil est soumise à, et limitée par, ces facteurs tels que le contenu en Btu de carburant, la température ambiante et l'altitude. La puissance de l'appareil diminue d'environ 3,5 % pour chaque tranche de 1 000 pieds au-dessus du niveau de la mer ; et diminuera également d'environ 1 % pour chaque tranche de 6 °C (10 °F) au-dessus de 16 °C (60 °F) de température ambiante.				

1.7 PRÊT À FONCTIONNER

Le « Ready to Run » (Prêt à fonctionner) de l'affichage est prête lorsque toutes les conditions suivantes sont vraies :

1. L'interrupteur AUTO/OFF/MANUAL (Auto/ arrêt/ manuel) est réglé sur la position AUTO.
2. La tension du réseau public à fournir à l'unité est captée par le disjoncteur. Si la tension du réseau public n'est pas branchée à l'unité ou si elle est inférieure à environ 150-160 volts CA, le système affichera le message « pas de réseau disponible ». Cela indique que si l'interrupteur AUTO/OFF/MANUAL (Auto/ arrêt/ manuel) est réglé sur la position Auto, le générateur démarrera.
3. Aucune alarme n'est présente, par exemple, de pression d'huile basse, de température élevée, etc.

1.8 EXIGENCES ET RECOMMANDATIONS EN TERMES DE CARBURANT

Avec le gaz de PL, utiliser uniquement le système de retrait de vapeur. Ce type de système utilise les vapeurs qui se forment au-dessus du combustible liquide dans le réservoir de stockage.

Le moteur a été intégré avec un système de carburation de carburant qui est conforme aux spécifications du California Air Resources Board 1997 (Conseil des ressources de l'air de Californie) en ce qui concerne les moteurs hybrides inviolables. L'unité fonctionnera au gaz naturel ou au gaz de PL mais a été réglée en usine comme fonctionnant au gaz naturel. S'il est nécessaire de changer le combustible principal en gaz de PL, il faut reconfigurer le système de carburant. Voir la section Reconfiguration du système de carburant pour connaître les consignes relatives à la reconfiguration du système de carburant.

Les combustibles recommandés doivent avoir un contenu en Btu de 1 000 Btus par pied cube minimum pour le gaz naturel ; ou 2 520 Btus par pied cube minimum pour le gaz de PL. Pour connaître le contenu en Btu du combustible, demander au fournisseur de carburant.

La pression de carburant requise pour le **gaz naturel est une colonne d'eau de cinq (5) pouces à sept (7) pouces (0,18 à 0,25 livres par pouce carré) ; et concernant le propane liquide, une colonne d'eau de 10 pouces à 12 pouces (0,36 à 0,43 livres par pouce carré). Le régulateur principal de l'alimentation en propane n'est PAS INCLUS avec le générateur.**

REMARQUE :

La dimension de tous les tuyaux, la construction et l'implantation doivent être conformes à la norme NFPA 54 relative aux applications au gaz naturel et à la norme NFPA 58 relative aux applications à propane liquide. Une fois que le générateur est installé, vérifier si la pression de carburant ne chute JAMAIS en dessous d'une colonne d'eau de quatre (4) pouces pour le gaz naturel ou une colonne d'eau de 10 pouces pour le propane liquide.

Avant l'installation du générateur, l'installateur doit consulter les fournisseurs de carburant locaux ou le commissaire des incendies local afin de vérifier les codes et les réglementations en matière de bonne installation. Les codes locaux mandateront le bon acheminement du tuyau de conduite de combustible gazeux autour des jardins, des arbustes et d'autres végétations afin d'éviter tout dommage.

Il faut faire particulièrement attention lors de l'installation de l'unité lorsque les conditions locales incluent des inondations, des tornades, des ouragans, des tremblements de terre et un sol instable pour la flexibilité et la résistance de la tuyauterie et de ses raccordements.

Utiliser un colmatant de tuyau ou une pâte à joint sur tous les raccords filetés.

Il faut purger toute la tuyauterie de combustible gazeux et tester les fuites avant le démarrage initial conformément aux codes, normes et réglementations locaux.

1.9 CONSOMMATION DE CARBURANT

Unité	Gaz nat.		Vapeur de PL	
	1/2 charge	Charge pleine	1/2 charge	Charge pleine
7/ 8 kW	77	140	0,94/34	1,68/62
9/ 10 kW	102	156	1,25/46	1,93/70
13/ 13 kW	156	220	1,55/57	2,18/80
13/ 14 kW	156	220	1,56/58	2,30/84
16/ 16 kW	183	261	1,59/58	2,51/91
16/ 17 kW	183	261	1,61/59	2,57/94
18/ 20 kW	206	294	1,89/69	2,90/106

* Le gaz naturel est en pieds cube par heure.

** Le PL est en gallons par heure/ pieds cube par heure.

*** Les valeurs indiquées sont approximatives.

Vérifier si le compteur à gaz est capable de fournir assez de débit de combustible pour inclure les appareils électroménagers.

1.9.1 EXIGENCES DE DÉBIT EN BTU - GAZ NATUREL

Débit en BTU nécessaire pour chaque unité en se basant sur 1 000 BTU par pied cube.

- 7 kW — 140 000 BTU/heure
- 9 kW — 156 000 BTU/heure
- 13 kW — 220 000 BTU/heure
- 16 kW — 261 000 BTU/heure
- 18 kW — 294 000 BTU/heure

▲ DANGER!



Les combustibles gazeux tels que le gaz naturel et le propane liquide (PL) sont extrêmement explosifs. La plus petite étincelle peut enflammer ces combustibles et causer une explosion. Aucune fuite de combustible n'est autorisée. Le gaz naturel, qui est plus léger que l'air, a tendance à s'accumuler en hauteur. Le gaz de PL est plus lourd que l'air et a tendance à se déposer au niveau du sol.

REMARQUE :

Il faut installer au minimum une soupape d'arrêt manuelle approuvée dans le tuyau de conduite de combustible gazeux. La vanne doit facilement être accessible. Les codes locaux déterminent le bon emplacement.

1.10 RECONFIGURATION DU SYSTÈME DE CARBURANT

1.10.1 MOTEUR 410 CC, 8 KW

Afin de reconfigurer le système de carburant du GN au PL, suivre ces étapes (Schéma 1.4) :

REMARQUE :

Le régulateur principal de l'alimentation en propane n'est PAS INCLUS avec le générateur. Une pression de carburant d'une colonne d'eau de 10 à 12 pouces (0,36 à 0,43 livres par pouce carré) vers l'admission de carburant du générateur DOIT ÊTRE FOURNIE.

1. Mettre hors tension la principale alimentation en gaz (si branchée).
2. Ouvrir le toit et retirer la porte.
3. Retirer la batterie (si installée).
4. Prendre le sélecteur de carburant par la poignée en T en plastique dans l'enveloppe en polyéthylène fournie avec le générateur.
5. Localiser le bouton du sélecteur sur le couvercle de boîte à vent, derrière la porte jaune du filtre à air et la surpuissance active. L'unité vient de l'usine en position GN (gaz naturel). En saisissant la poignée, insérer l'extrémité de la goupille dans le trou dans la languette du sélecteur et tirer vers l'extérieur pour surmonter la pression du ressort, puis, tourner dans le sens des aiguilles d'une montre de 90 degrés et laisser le sélecteur revenir une fois aligné sur la position de PL (Propane liquide).
6. Conserver cet outil avec le manuel d'entretien.
7. Installer la batterie, la porte et fermer le toit.
8. Inverser la procédure pour reconvertir en gaz naturel.

Schéma 1.4 – Sélecteur de carburant



REMARQUE :

Utiliser un colmatant de tuyau ou une pâte à joint approuvé(e) sur tous les raccords filetés afin de réduire la possibilité de fuite.

1.10.2 MOTEURS À DEUX CYLINDRES, 10, 13, 14, 16, 17 ET 20 KW

Afin de reconfigurer le système de carburant du GN au PL, suivre ces étapes :
REMARQUE :

Le régulateur principal de l'alimentation en propane n'est PAS INCLUS avec le générateur. Une pression de carburant d'une colonne d'eau de 10 à 12 pouces (0,36 à 0,43 livres par pouce carré) vers l'admission de carburant du générateur DOIT ÊTRE FOURNIE.

1. Ouvrir le toit.
 2. **Pour les unités de 10 kW :** Desserrer le collier et glisser à nouveau dans le tuyau d'admission d'air.
 - Glisser le sélecteur de carburant sur le carburateur vers l'arrière de l'enveloppe (Schémas 1.5 et 1.6).
 - Retourner le tuyau d'admission et serrer le collier fermement.
- Pour les unités de 13, 14, 16, 17 et 20 kW :** retirer le couvercle du filtre à air.
- Faire glisser le levier du sélecteur vers l'arrière de l'enveloppe (Schémas 1.7 et 1.8).
 - Remettre le couvercle du filtre à air et serrer les deux vis à serrage à main.

Schéma 1.5 - GT-530, 10 kW (remise du tuyau d'admission)

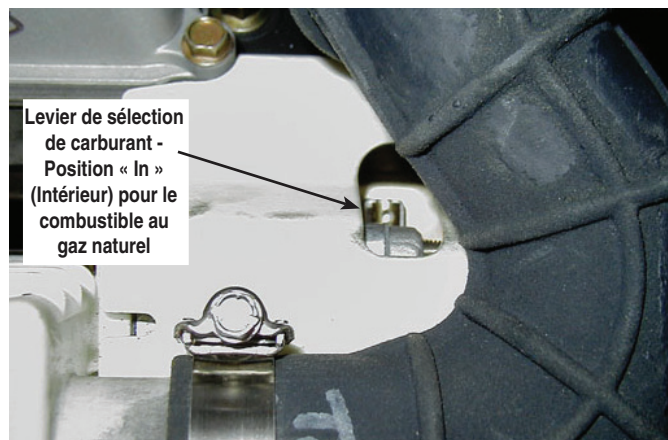
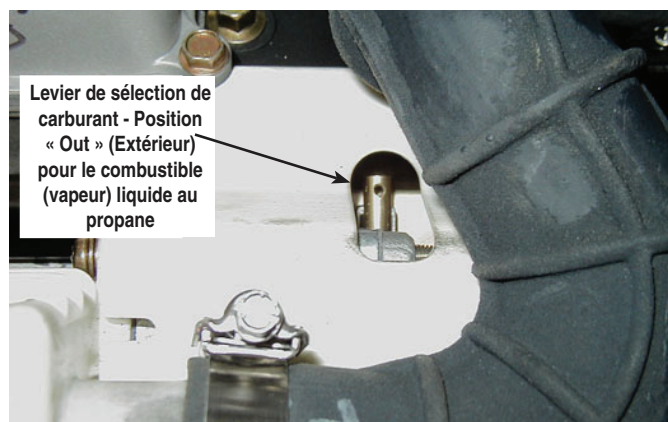


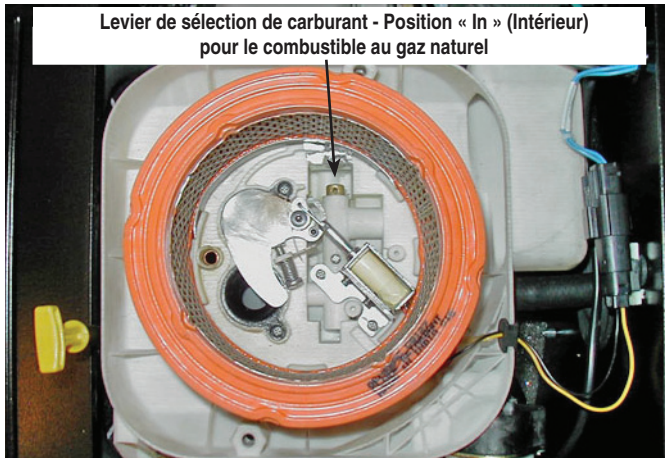
Schéma 1.6 - GT-530, 10 kW (remise du tuyau d'admission)



Informations générales

3. Fermer le toit.
4. Inverser la procédure pour reconvertir en gaz naturel.

**Schéma 1.7 - GT-990/ GT-999, 13, 14, 16, 17 et 20 kW
(couvercle de boîte à vent retiré)**



**Schéma 1.8 - GT-990/ GT-999, 13, 14, 16, 17 et 20 kW
(couvercle de boîte à vent retiré)**



- **Empêcher les gaz d'échappement d'entrer dans un espace confiné par les fenêtres, les portes, l'aération, les vides sanitaires ou d'autres ouvertures (Schéma 1.9).**
- **Il est fortement recommandé d'installer un (des) détecteur(s) de monoxyde de carbone à l'intérieur conformément aux instructions / recommandations du fabricant.**
- **Il faut monter le générateur en toute sécurité conformément aux codes applicables et aux caractéristiques techniques du fabricant. Ne PAS modifier ou ajouter le système d'échappement ou effectuer toute opération qui rendrait le système dangereux ou non conforme aux codes et normes applicables.**

1.11.1 GÉNÉRATEUR

Installer le générateur, dans son enveloppe protectrice, **à l'extérieur**, dans un endroit où il y a toujours suffisamment d'air pour refroidir et aérer le générateur (Schéma 1.9). Prendre en considération ces facteurs :

- L'installation du générateur **doit être strictement conforme aux normes NFPA 37, NFPA 54, NFPA 58 et NFPA 70.**
- Installer l'unité à un endroit où les orifices d'entrée et de sortie ne seront pas obstrués par les feuilles, l'herbe, la neige, etc. Si des vents dominants provoquent un coup de vent ou une dérive, envisager l'utilisation d'un pare-vent pour protéger l'unité.
- Installer le générateur en hauteur où les niveaux d'eau ne monteront pas et ne le mettront pas en danger.
- Laisser suffisamment de place sur tous les côtés du générateur pour la maintenance et l'entretien. Il faut installer cette unité conformément aux normes NFPA 37 et NFPA 70 actuelles applicables ainsi qu'à tout autre code fédéral, d'État et local pour les distances minimales avec les autres structures. **NE PAS** installer sous des plateformes ou des structures en bois sauf s'il y a un espace d'au moins quatre (4) pieds au-dessus du générateur, de trois (3) pieds sur les côtés et l'avant et de 18 pouces à l'arrière de l'unité.
- Installer l'unité là où les gouttières, l'effondrement du toit, l'irrigation des terres, les arroseuses ou le refoulement de la pompe de vidange n'inondent pas l'unité ou n'éclaboussent pas l'enveloppe, y compris tout orifice d'entrée ou de sortie d'air.
- Installer l'unité dans un endroit où les services ne seront pas affectés ou obstrués, y compris les services cachés, souterrains ou couverts tels que l'électricité, le carburant, le téléphone, la climatisation ou l'irrigation.
- Lorsque des vents dominants forts soufflent dans une direction, orienter les orifices d'entrée d'air du générateur dans le sens opposé aux vents dominants.
- Installer le générateur aussi près que possible de l'alimentation en combustible afin de réduire la longueur de la tuyauterie.
- Installer le générateur aussi près que possible du commutateur de transfert. **NE PAS OUBLIER QUE LES LOIS OU LES CODES PEUVENT RÉGLEMENTER LA DISTANCE ET L'EMPLACEMENT.**
- Le générateur doit être installé sur une surface à niveau. Le bâti de base doit être à niveau à plus ou moins deux (2) pouces autour.

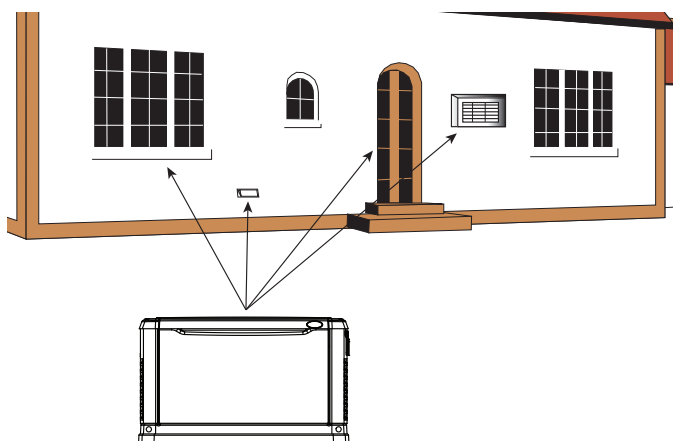
1.11 EMBLACEMENT

⚠ DANGER!

⚠ Les fumées d'échappement du moteur contiennent du monoxyde de carbone, qui peut s'avérer MORTEL. Ce gaz dangereux, s'il est respiré en concentrations suffisantes, peut entraîner une perte de conscience ou même la mort. Il faut installer correctement ce générateur en se conformant strictement aux codes et normes applicables. Après l'installation, ne rien faire qui pourrait rendre le système dangereux ou non conforme à ces codes et/ou normes. Faire fonctionner le générateur à l'extérieur UNIQUEMENT.

- Le générateur est habituellement placé sur des gravillons ou des cailloux. Vérifier les codes locaux pour savoir si une dalle en béton est nécessaire. Si une dalle de béton est nécessaire, il faut se conformer à tous les codes fédéraux, d'État et locaux. Il faut faire particulièrement attention à ce que la dalle en béton dépasse la longueur et la largeur du générateur de six (6) pouces (0,152 mètres) au minimum sur tous les côtés.

Schéma 1.9 – Espaces autour du générateur



1.11.2 NOUVELLES CONSIGNES D'INSTALLATION POUR LES GÉNÉRATEURS STATIONNAIRES REFROIDIS À L'AIR DE 8, 10, 13, 14, 16, 17 ET 20 kW.

La National Fire Protection Association (Association nationale pour la protection contre les incendies) a une norme relative à l'installation et à l'utilisation des moteurs à combustion stationnaires. Cette norme est la NFPA 37 et ses exigences limitent l'espacement entre un générateur clos et une structure ou un mur (Schéma 1.10).

NFPA 37, Section 4.1.4, moteurs situés à l'extérieur. Les moteurs, et leurs logements étanches le cas échéant, qui sont installés à l'extérieur, doivent être situés à 5 pieds au minimum des ouvertures dans les murs et à 5 pieds au minimum des structures ayant des murs combustibles. Il faut une séparation minimale lorsque les conditions suivantes existent :

1. Le mur adjacent de la structure a une résistance nominale au feu d'au moins 1 heure.
2. L'enveloppe étanche est composée de matières non combustibles et il a été démontré qu'un feu à l'intérieur de l'enveloppe n'enflammera pas les matières à l'extérieur de l'enveloppe.

Annexe A — Documentation explicative

A4.1.4 (2) Les moyens de démontrer la conformité se font au moyen d'un essai au feu grandeur nature ou de procédures de calcul.

En raison des espaces limités qui sont souvent disponibles pour l'installation, il est devenu clair que l'exception (2) serait avantageuse pour de nombreuses installations résidentielles et commerciales. En gardant cela à l'esprit, le fabricant a passé un contrat avec un laboratoire d'essai indépendant pour effectuer des essais au feu grandeur nature afin de s'assurer que l'enveloppe n'enflamme pas les matières combustibles à l'extérieur de l'enveloppe.

Les critères étaient de déterminer le pire scénario de feu à l'intérieur du générateur et de déterminer la sensibilité à l'allumage des éléments à l'extérieur de l'enveloppe du moteur à différentes distances. L'enveloppe est composée de matières non combustibles, et les résultats et conclusions du laboratoire d'essai indépendant ont indiqué que tout feu à l'intérieur de l'enveloppe du générateur ne présenterait pas de risque d'allumage aux combustibles ou structures à proximité, avec ou sans réponse du personnel du service incendie.

En se basant sur cet essai et sur les exigences de la norme NFPA 37, Sec 4.1.4, les consignes d'installation du générateur indiquées ci-dessus sont modifiées jusqu'à 18 pouces (457 mm) entre l'arrière du générateur et un mur ou bâtiment stationnaire. Pour un espace de maintenance et de débit d'air adéquat, il faut que l'espace au-dessus du générateur soit de 4 pieds au moins avec 3 pieds au minimum au niveau de l'avant et de l'arrière de l'enveloppe. Cela inclurait les arbres, les arbustes et la végétation qui pourraient obstruer le débit d'air. Voir le diagramme au verso de la page et le schéma d'installation dans le manuel d'entretien pour plus d'informations.

Le gaz d'échappement du générateur contient du gaz de monoxyde de carbone MORTEL. Ce gaz dangereux peut causer la perte de conscience ou la mort. Ne pas placer l'unité à proximité des fenêtres, des portes, des prises d'air frais (fours, etc.) ou de toute ouverture dans le bâtiment ou la structure, y compris les fenêtres et les portes d'un garage annexe.

1.11.3 COMMUTEUR DE TRANSFERT (LE CAS ÉCHÉANT)

1.11.3.1 Unités de 8, 10, 13, 14, 16, 17 et 20 kW (si équipé)

Le commutateur de transfert, qui peut avoir été envoyé à l'intérieur du carton avec le générateur de 8, 10, 13, 14, 16 ou 17 kW, est à l'intérieur d'une enveloppe **NEMA 1 (conçue pour l'intérieur uniquement)**. Le commutateur de transfert, qui peut avoir été envoyé avec le générateur de 20 kW, est à l'intérieur d'une enveloppe **NEMA 3R (conçue pour l'intérieur / extérieur)**.

- Installer le commutateur de transfert à l'intérieur sur une structure de support ferme et solide.
- Afin d'empêcher la distorsion du commutateur, niveler le commutateur si nécessaire. Cela peut s'effectuer en mettant des rondelles entre l'enveloppe du commutateur et la surface de montage.
- Ne jamais installer le commutateur à un endroit où de l'eau ou toute substance corrosive peut couler sur l'enveloppe.
- Protéger le commutateur à tout moment contre l'humidité, les saletés, la poussière, les grains de construction ou les vapeurs corrosives excessives.

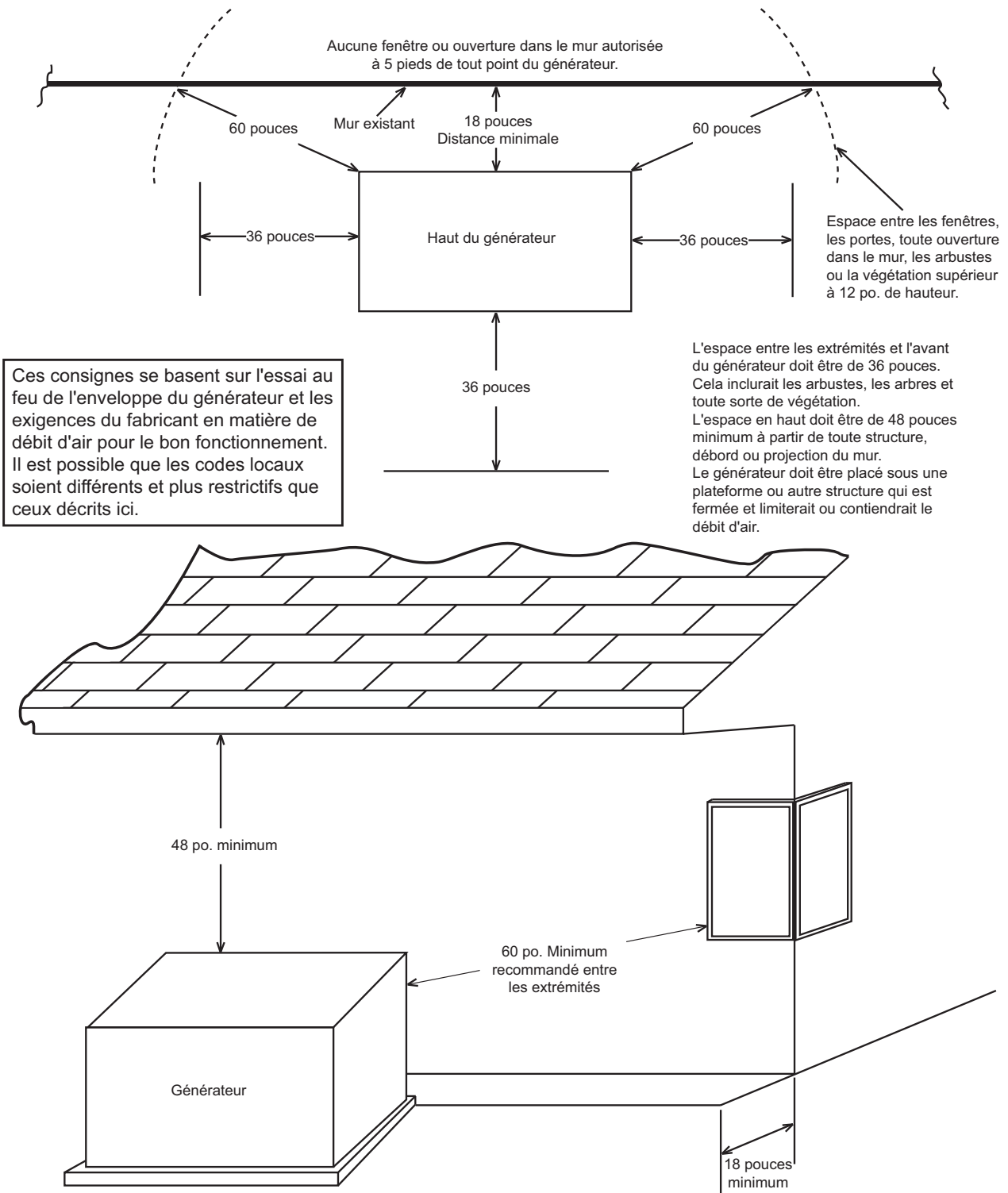
⚠ AVERTISSEMENT!

⚠ Si L'INTERRUPTEUR AUTO/OFF/MANUAL (Auto/arrêt/ manuel) n'est pas réglé sur sa position OFF (Arrêt), le générateur peut démarrer dès que les câbles de batterie sont branchés. Si l'alimentation électrique publique n'est pas mise hors tension, une décharge disruptive peut se produire au niveau des bornes de batterie et causer une explosion.

1.12 EXIGENCES DE LA BATTERIE

Voir la section Caractéristiques techniques pour connaître les bonnes taille et valeur nominale de batterie.

Schéma 1.10 – Consignes d'installation



Ce schéma remplace les consignes d'installation contenues dans les manuels d'installation et d'entretien des unités refroidies à l'air datés d'avant le 26 mai 2007.

1.13 INSTALLATION DE LA BATTERIE

Remplir la batterie avec le fluide électrolyte si nécessaire et s'assurer que la batterie est complètement chargée avant de l'installer.

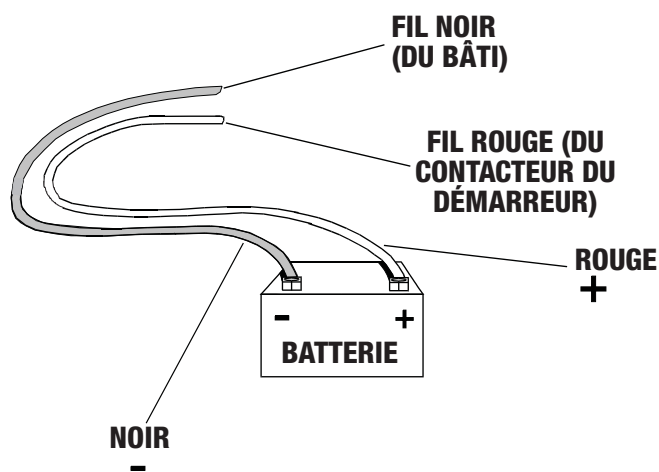
Avant d'installer et de brancher la batterie, effectuer les étapes suivantes :

1. Régler l'interrupteur AUTO/OFF/MANUAL (Auto/ arrêt/ manuel) sur la position OFF (Arrêt).
2. Mettre hors tension l'alimentation électrique publique vers le commutateur de transfert.
3. Retirer le fusible de 7,5 A à partir du panneau de commande du générateur.

Les câbles de batterie ont été branchés en usine au niveau du générateur (Schéma 1.10). Brancher les câbles aux bornes de batterie de la manière suivante :

4. Brancher le câble de batterie rouge (à partir du contacteur du démarreur) à la borne de batterie indiquée par un signe positif, POS ou (+).
5. Brancher le câble de batterie noir (à partir de la masse de châssis) à la borne de batterie indiquée par un signe négatif, NEG ou (-).

Schéma 1.10 – Branchements des câbles de batterie



REMARQUE :

Il faut utiliser de la graisse diélectrique sur les bornes de batterie afin de les protéger contre la corrosion.

REMARQUE :

L'inversion des branchements de batterie entraînera des dommages.

REMARQUE :

Dans les zones où les températures chutent régulièrement en dessous de 10 °F (- 12 °C), il est recommandé d'installer un réchauffeur de batterie de type disque afin d'aider le démarrage par temps froid.

1.14 LA BATTERIE

⚠ DANGER!

⚠ **Ne pas jeter la batterie au feu. La batterie pourrait exploser.**

⚠ **Une batterie présente un risque d'électrocution et un courant de court-circuit élevé. Il faut prendre les précautions suivantes lors du travail sur les batteries :**

- Retirer le fusible de 7,5 A à partir du panneau de commande du générateur.
- Retirer les montres, bagues et autres objets en métal ;
- Utiliser des outils avec des poignées isolées ;
- Porter des gants et des chaussures en caoutchouc ;
- Ne pas poser d'outils ou de pièces métalliques sur la batterie ; et
- Débrancher la source de chargement avant de brancher ou de débrancher les bornes de batterie.

⚠ AVERTISSEMENT!

⚠ **Ne pas ouvrir ou mutiler la batterie. L'électrolyte libéré s'est avéré être nocif pour la peau et les yeux, et également toxique.**

⚠ **L'électrolyte est un acide sulfurique dilué qui est nocif pour la peau et les yeux. Il est électriquement conducteur et corrosif.**

Il faut respecter les procédures suivantes :


- Porter des lunettes et des vêtements de protection ;
- Lorsque l'électrolyte entre en contact avec la peau, laver immédiatement avec de l'eau ;
- Lorsque l'électrolyte entre en contact avec les yeux, rincer complètement et immédiatement avec de l'eau et consulter un médecin ; et
- L'électrolyte renversé doit être lavé avec un agent neutralisant acide. Une pratique courante consiste à utiliser une solution de 1 livre (500 grammes) de bicarbonate de soude dans 1 gallon (4 litres) d'eau. Il faut ajouter du bicarbonate de soude jusqu'à ce que la preuve de la réaction (moussage) ait cessé. Il faut rincer le liquide résultant avec de l'eau et sécher la zone.

⚠ **Les batteries au plomb présentent un risque d'incendie étant donné qu'elles produisent du gaz hydrogène. Il faut suivre les procédures suivantes :**

- **NE PAS FUMER** à proximité de la batterie ;
- **NE PAS** provoquer de flammes ou d'étincelles dans la batterie ; et
- Décharger l'électricité statique du corps avant de toucher la batterie en touchant d'abord une surface métallique mise à la terre.

⚠ **S'assurer que l'interrupteur AUTO/OFF/MANUAL (Auto/ arrêt/ manuel) est réglé sur la position OFF (Arrêt) avant de brancher les câbles de batterie. Si l'interrupteur est réglé sur la position AUTO ou MANUAL (Manuel), le générateur peut démarrer dès que les câbles de batterie sont branchés.**

Démarrage et ajustements après l'installation

 **S'assurer que l'alimentation électrique publique soit hors tension et que le fusible de 7,5 A soit retiré du panneau de commande du générateur ou qu'une décharge disruptive ne se produise pas au niveau des bornes de batterie où les câbles sont fixés et cause une explosion.**

Il faut effectuer, ou faire effectuer par un personnel qualifié, l'entretien de la batterie en prenant les précautions nécessaires. Le personnel non autorisé doit se tenir à distance des batteries.

Voir la section Caractéristiques techniques pour connaître les bonnes taille et valeur nominale lors du remplacement de la batterie. Faire effectuer ces procédures aux intervalles indiqués dans la section « Calendrier d'entretien ». Un système de mise à la terre négatif est utilisé. Les branchements de la batterie sont indiqués sur les diagrammes de câblage. S'assurer que la batterie est correctement branchée et que les bornes sont serrées. Respecter la polarité de la batterie lors du branchement de la batterie au générateur.

1.15 CHARGEUR DE BATTERIE

REMARQUE :

Le chargeur de la batterie est intégré dans le module de commande pour tous les modèles.

Il fonctionne comme un « chargeur intelligent » qui assure que la production est permanemment optimisée pour promouvoir une durée de vie maximale de la batterie et que les niveaux de charge sont à des conditions de sécurité. L'utilisateur peut contrôler la tension de la batterie et le courant de charge en modes « Boost » et « Float » sur l'écran LCD du contrôleur.

REMARQUE :

L'écran LCD affiche un avertissement lorsque la batterie a besoin d'entretien.

2.1 ACTIVER LE GÉNÉRATEUR

Lorsque la puissance de la batterie est appliquée au générateur au cours du processus d'installation, le contrôleur s'allume. Toutefois, le générateur doit encore être activé avant de démarrer automatiquement en cas de panne de courant.

L'activation du générateur est un simple processus en un geste guidé par les invites de l'écran du contrôleur. Une fois que le produit est activé, l'écran du contrôleur ne vous invite pas à nouveau, même si vous débranchez la batterie du générateur.

Après avoir obtenu votre code d'activation, veuillez suivre les étapes suivantes sur le panneau de contrôle du générateur, dans le tableau d'activation.

2.2 AVANT LE DÉMARRAGE INITIAL

REMARQUE :

Ces unités ont été exécutées et testées à l'usine avant d'être expédiées et ne nécessitent aucun type d'interruption.

REMARQUE :


Cette unité vient remplie d'huile de l'usine. Vérifier le niveau d'huile et ajouter la quantité appropriée si nécessaire.

Avant de démarrer, effectuer l'étape suivante :

1. Régler le disjoncteur principal du générateur sur sa position OFF (Arrêt) (ou OPEN (Ouvverte)).
2. Régler l'interrupteur AUTO/OFF/MANUAL (Auto/ arrêt/ manuel) du générateur sur la position OFF (Arrêt).
3. Mettre HORS TENSION tous les disjoncteurs sur le centre de distribution de la boîte de transfert (T1 et T2).
4. Mettre HORS TENSION toutes les charges branchées aux bornes du commutateur de transfert T1 et T2.
5. Vérifier le niveau d'huile du carter du moteur et, si nécessaire, remplir jusqu'à la marque FULL (Plein) de la jauge d'huile avec l'huile recommandée. Ne pas remplir au-dessus de la marque FULL (Plein).
6. Vérifier l'alimentation en carburant. Il faut correctement purger les conduites de combustible gazeux et tester les fuites conformément aux codes applicables en matière de carburant et de gaz. Toutes les soupapes d'arrêt dans les conduites de combustible doivent être ouvertes.

Pendant le démarrage initial uniquement, le générateur peut dépasser le nombre normal de tentatives et connaître un « démarrage excessif » (voir la section « Démarrage excessif »). Cela est dû à l'air accumulé dans le système de carburant pendant l'installation. Réinitialiser le tableau de contrôle et redémarrer jusqu'à deux fois supplémentaires, si nécessaire. Si l'unité ne démarre pas, contacter le dépositaire local pour obtenir de l'aide.


▲ ATTENTION!

 **Ne jamais faire fonctionner le moteur avec le niveau d'huile en dessous de la marque « Add » (Ajouter) sur la jauge d'huile. Cette action endommagerait le moteur.**

2.3 VÉRIFICATION DU FONCTIONNEMENT DU COMMUTATEUR DE TRANSFERT

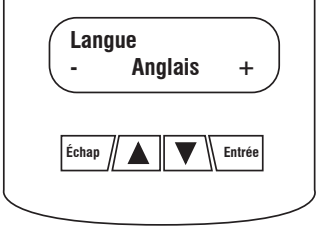



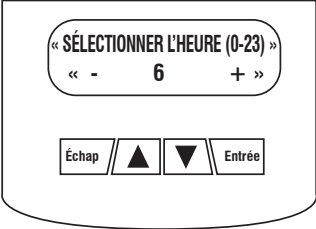
Se reporter à la section « Fonctionnement manuel du transfert » du manuel d'entretien pour connaître les procédures.

▲ DANGER!

 **Ne pas essayer un fonctionnement manuel du commutateur de transfert tant que toutes les tensions d'alimentation fournies au commutateur de transfert n'ont pas été mises hors tension positivement. Le fait de ne pas mettre hors tension toutes les tensions d'alimentation entraînera une électrocution extrêmement dangereuse et potentiellement fatale.**

Démarrage et ajustements après l'installation

TABLEAU D'ACTIVATION

SÉLECTIONNER LANGUE		DÉPANNAGE
<p>L'écran indique :</p> 	<p>Utilisez TOUCHES de direction pour défiler jusqu'à la langue désirée. Appuyez sur ENTRÉE pour sélectionner.</p>	<p>Si la mauvaise langue est choisie, elle peut être changée plus tard dans le menu « Édition ».</p>
<p>L'écran indique :</p> 	<p>Appuyez sur ENTRÉE pour commencer le processus d'activation.</p>	<p>Si vous appuyez sur ECHAP ou lieu d'ENTRÉE, votre générateur ne fonctionnera qu'en mode manuel (à des fins de test) et NON ACTIVÉ s'affiche. Dans ce cas, vous devez reconnecter la batterie et recommencer à l'étape 1.</p>
<p>L'écran indique :</p> 	<p>Si vous ne disposez de code d'activation, allez sur www.activate.com ou appelez le 1-888-9ACTIVATE (922-8482).</p> <p>Si vous avez déjà votre code d'activation, attendez 3 à 5 secondes pour l'affichage suivant.</p>	
ENTRER CODE D'ACTIVATION CODE (code d'accès)		DÉPANNAGE
<p>L'écran indique :</p> 	<p>Utilisez les TOUCHES de direction pour trouver le premier chiffre de votre code d'activation.</p> <p>Appuyez sur ENTRÉE pour sélectionner.</p> <p>Répétez cette étape jusqu'à ce que tous les chiffres soient entrés.</p> <p>Utilisez la touche ECHAP pour corriger les chiffres précédents.</p>	
<p>L'écran indique :</p> 	<p>L'activation est terminée lorsque tous les chiffres sont inscrits en dessus et que votre écran affiche ceci.</p> <p>Suivez les invites du contrôleur pour poursuivre avec le réglage de la fonction de temps. Pour toute question, consultez votre manuel d'utilisation.</p>	<p>Qu'advient-il si « Wrong Passcode Try Again » (code d'accès erroné, essayez à nouveau) s'affiche ?</p> <p>Ressaisir votre code d'activation. Si une seconde tentative échoue, vérifiez le numéro de code fourni sur activategen.com. S'il est correct et que le générateur le rejette, contactez 1-888-9ACTIVATE (922-8482).</p>

Démarrage et ajustements après l'installation

2.4 VÉRIFICATIONS ÉLECTRIQUES

Effectuer les vérifications électriques suivantes :

1. Régler le disjoncteur principal du générateur sur sa position OFF (Arrêt) (ou OPEN (Ouverte)).
2. Régler l'interrupteur AUTO/OFF/MANUAL (Auto/ arrêt/ manuel) du générateur sur la position OFF (Arrêt).
3. Mettre HORS TENSION tous les disjoncteurs sur le centre de distribution de la boîte de transfert (T1 et T2).
4. Mettre sous tension l'alimentation électrique publique vers le commutateur de transfert à l'aide des moyens fournis (tels que le disjoncteur principal du réseau public).

⚠ DANGER!

⚠ Le commutateur de transfert est désormais électriquement « chaud ». Tout contact avec les parties « chaudes » entraînera des électrocutions extrêmement dangereuses et potentiellement mortelles. Faire attention.

5. Utiliser un voltmètre CA précis afin de vérifier la tension de la source d'alimentation publique aux bornes du commutateur de transfert N1 et N2. La tension nominale phase à phase doit être de 240 volts CA.
6. Vérifier la tension de la source d'alimentation publique à la borne N1 et la cosse neutre du commutateur de transfert ; puis à la borne N2 et la borne neutre. La tension de phase nominale doit être de 120 volts CA.
7. Lorsque l'on est sûr que la tension de la source d'alimentation électrique publique est compatible avec les valeurs nominales du commutateur de transfert et du circuit de charge, mettre HORS TENSION l'alimentation électrique publique vers le commutateur de transfert.
8. Sur le panneau du générateur, régler l'interrupteur (Auto/ arrêt/ manuel) sur la position MANUAL (Manuel). Le moteur doit démarrer.
9. Laisser le moteur chauffer pendant environ cinq minutes afin de laisser les températures internes se stabiliser. Puis, régler le disjoncteur principal du générateur sur sa position ON (Marche) (ou CLOSED (Fermée)).

⚠ DANGER!

⚠ Faire attention ! La tension d'alimentation du générateur est désormais fournie vers le commutateur de transfert. Tout contact avec les parties actives du commutateur de transfert entraînera des électrocutions dangereuses et potentiellement mortelles.

10. Brancher un voltmètre CA précis et un fréquencemètre aux cosses E1 et E2 du commutateur de transfert. Une tension doit être de 250-254 volts à une fréquence de 59,5-60,5 Hertz.
11. Brancher les fils d'essai du voltmètre CA aux cosses E1 et neutre ; puis aux cosses E2 et neutre. Dans les deux cas, la tension doit être de 125 à 127 volts CA.
12. Régler le disjoncteur principal du générateur sur sa position OFF (Arrêt) (ou OPEN (Ouverte)). Laisser le moteur fonctionner à circuit ouvert quelques minutes afin que les températures internes du moteur du générateur se stabilisent.
13. Régler l'interrupteur AUTO/OFF/MANUAL (Auto/ arrêt/ manuel) du générateur sur la position OFF (Arrêt). Le moteur doit s'arrêter.

REMARQUE :

Il est important de ne pas continuer tant que l'on n'est pas sûr que la tension et la fréquence CA du générateur sont correctes et dans les limites établies.

2.5 TESTS DU GÉNÉRATEUR SOUS CHARGE

Afin de tester les charges électriques appliquées au générateur, effectuer les étapes suivantes :

1. Régler le disjoncteur principal du générateur sur sa position OFF (Arrêt) (ou OPEN (Ouverte)).
2. Mettre HORS TENSION tous les disjoncteurs sur le centre de distribution de la boîte de transfert (T1 et T2).
3. Régler l'interrupteur AUTO/OFF/MANUAL (Auto/ arrêt/ manuel) du générateur sur la position OFF (Arrêt).
4. Mettre HORS TENSION l'alimentation électrique publique vers le commutateur de transfert à l'aide des moyens fournis (tels que le disjoncteur principal du réseau public).

⚠ AVERTISSEMENT!

⚠ Ne pas essayer un fonctionnement manuel du commutateur de transfert tant que toutes les tensions d'alimentation fournies au commutateur de transfert n'ont pas été mises hors tension positivement. Le fait de ne pas mettre hors tension toutes les tensions d'alimentation entraînera une électrocution extrêmement dangereuse et potentiellement fatale.

5. Régler manuellement le commutateur de transfert sur la position STANDBY (Secours), c-à-d. les bornes de sortie branchées aux bornes E1/E2 du générateur. Le levier de commande du commutateur de transfert doit être abaissé.
6. Régler l'interrupteur AUTO/OFF/MANUAL (Auto/ arrêt/ manuel) sur la position MANUAL (Manuel). Le moteur doit démarrer immédiatement.
7. Laisser le moteur se stabiliser et chauffer pendant quelques minutes.
8. Régler le disjoncteur principal du générateur sur sa position ON (Marche) (ou CLOSED (Fermée)). Les charges sont désormais alimentées par le générateur de secours.
9. Mettre SOUS TENSION le centre de distribution du commutateur de transfert (T1 et T2).
10. Brancher un voltmètre CA précis et un fréquencemètre aux cosses E1 et E2.
 - La tension doit être supérieure à 240 volts et la fréquence doit être supérieure à 60 Hz.
11. Laisser le générateur fonctionner à une charge nominale pleine pendant 20-30 minutes. Détecter tout bruit anormal, vibration ou autres indications de fonctionnement anormal. Vérifier s'il y a des fuites d'huile, preuve de surchauffe, etc.
12. Lorsque le test sous charge est effectué, mettre HORS TENSION les charges électriques.
13. Régler le disjoncteur principal du générateur sur sa position OFF (Arrêt) (ou OPEN (Ouverte)).
14. Laisser le moteur fonctionner à circuit ouvert quelques minutes.
15. Régler l'interrupteur AUTO/OFF/MANUAL (Auto/ arrêt/ manuel) sur la position OFF (Arrêt). Le moteur doit s'arrêter.

2.6 VÉRIFICATION DU FONCTIONNEMENT AUTOMATIQUE

Afin de vérifier si le fonctionnement automatique du système est correct, suivre les étapes suivantes :

1. Régler le disjoncteur principal du générateur sur sa position OFF (Arrêt) (ou OPEN (ouverte)).
2. Vérifier si l'interrupteur AUTO/OFF/MANUAL (Auto/ arrêt/ manuel) est réglé sur la position OFF (Arrêt).
3. Mettre HORS TENSION l'alimentation électrique publique vers le commutateur de transfert à l'aide des moyens fournis (tels que le disjoncteur principal du réseau public).
4. Régler manuellement le commutateur de transfert sur la position UTILITY (Réseau public), c-à-d. les bornes de sortie branchées à la source d'alimentation publique.
5. Mettre SOUS TENSION l'alimentation électrique publique vers le commutateur de transfert à l'aide des moyens fournis (tels que le disjoncteur principal du réseau public).
6. Régler le disjoncteur principal du générateur sur sa position ON (Marche) (ou CLOSED (Fermée)).
7. Régler l'interrupteur AUTO/OFF/MANUAL (Auto/ arrêt/ manuel) sur la position AUTO. Le système est désormais prêt pour un fonctionnement automatique.
8. Mettre HORS TENSION l'alimentation électrique publique vers le commutateur de transfert.

Avec l'interrupteur AUTO/OFF/MANUAL (Auto/ arrêt/ manuel) sur la position AUTO, le moteur doit démarrer lorsque l'alimentation électrique publique est mise HORS TENSION après un délai de 10 secondes. Après le démarrage, le commutateur de transfert doit brancher les circuits de charge au côté de secours après un délai de cinq (5) secondes. Laisser le système traverser sa séquence automatique entière de fonctionnement.

Avec le générateur qui fonctionne et les charges alimentées par la sortie CA du générateur, mettre SOUS TENSION l'alimentation électrique publique vers le commutateur de transfert. Les événements suivants se produisent :

- Après environ 15 secondes, le commutateur doit transférer à nouveau les charges vers la source d'alimentation publique.
- Environ une minute après le transfert à nouveau, le moteur doit s'arrêter.

3.1 INTERFACE DU PANNEAU DE COMMANDE

3.1.1 UTILISATION DE L'INTERRUPTEUR AUTO/OFF/MANUAL (AUTO/ ARRÊT/ MANUEL) (SCHEMA 3.1)

⚠ AVERTISSEMENT!

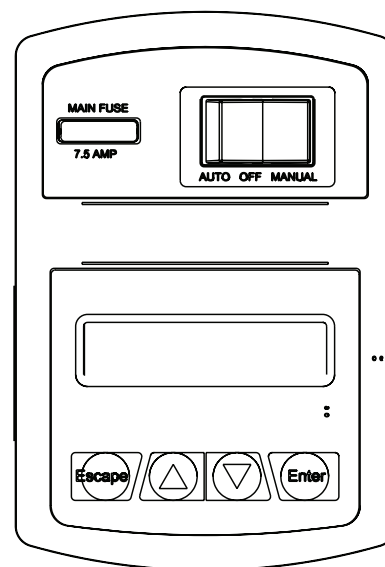
! Lorsque le commutateur est réglé sur AUTO, le moteur peut démarrer à tout moment sans prévenir. Un tel démarrage automatique se produit lorsque la tension de la source d'alimentation électrique publique chute en dessous d'un niveau prédéfini ou pendant le cycle de programme de test normal. Afin d'empêcher des blessures potentielles qui pourraient être causées par ce démarrage soudain, toujours régler le commutateur sur la position OFF (Arrêt) et retirer les fusibles avant de travailler sur ou autour du générateur ou du commutateur de transfert. Ensuite, apposer une étiquette « DO NOT OPERATE » (Ne pas faire fonctionner) sur le panneau du générateur et sur le commutateur de transfert.

1. Position « AUTO » – La sélection de ce commutateur active le fonctionnement automatique du système. Il permet également à l'unité de démarrer automatiquement et de tester le moteur tous les sept jours avec le réglage du programme de test (voir la section Définition du programme de test).
2. Position « OFF » (Arrêt) – Cette position du commutateur arrête le moteur. Cette position empêche le fonctionnement automatique.
3. Position « MANUAL » (Manuel) – Régler le commutateur sur la position MANUAL (Manuel) pour démarrer le moteur. Le transfert à l'alimentation de secours ne se produira pas sauf s'il y a une coupure du réseau public.

3.1.2 DÉFINITION DU PROGRAMME DE TEST

Le générateur est équipé d'un programme de test. Une fois qu'il est défini, le générateur démarrera et subira le programme de test tous les sept jours, le jour de la semaine et l'heure du jour indiqués. Pendant cette période de programme de test, l'unité fonctionne pendant environ 12 minutes, puis s'arrête. Le transfert de charge vers la sortie du générateur ne se produit pas pendant le cycle de programme de test sauf en cas de perte de l'alimentation publique.

Figure 3.1 – Panneau de commande des générateurs de 8/ 10/ 13/ 14/ 16/ 17 et 20 kW



ASSISTANT D'INSTALLATION

Fonction auto-test du système d'interconnexion (suivre les invites à l'écran)

Lors de la mise sous tension, ce contrôleur subira un auto-test du système qui vérifiera la présence du réseau public sur les circuits CC. Ce test est effectué afin d'empêcher un dommage si l'installateur branche par erreur les câbles de l'alimentation électrique CA au bloc de jonction CC. Si la tension du réseau public est détectée, le contrôleur affichera un message d'avertissement et verrouillera le générateur, empêchant des dommages au contrôleur. Il faut retirer l'alimentation au contrôleur pour effacer cet avertissement.

La tension du réseau public doit être mise sous tension et présente au niveau des bornes N1 et N2 à l'intérieur du panneau de commande du générateur pour ce test à passer et réussir.

REMARQUE :

LES DOMMAGES CAUSÉS PAR UN MAUVAIS CÂBLAGE DES CÂBLES D'INTERCONNEXION NE SONT PAS GARANTIS !

Ce test sera effectué à chaque fois que le contrôleur est mis sous tension.

Lors de la première mise sous tension du générateur, l'interface de l'écran lancera un assistant d'installation. L'assistant invitera l'utilisateur à régler les paramètres minimum à faire fonctionner. Ces paramètres sont simplement : Date/ heure actuelle et jour/ heure du programme de test. Les intervalles de maintenance seront initialisés lorsque l'heure du programme de test est entrée (Schéma 3.1).

Il est possible de modifier les paramètres du programme de test à tout moment via le menu « EDIT » (Modifier) (voir Annexe, « Menu du système »).

Si la batterie de 12 volts est débranchée ou si le fusible est retiré, l'assistant d'installation fonctionnera lors de la restauration de l'alimentation. La seule différence est que l'écran invitera seulement le client pour l'heure et la date actuelles.

SI L'INSTALLATEUR TESTE LE GÉNÉRATEUR AVANT L'INSTALLATION, APPUYER SUR LA TOUCHE « ENTER » (ENTRÉE) AFIN D'ÉVITER LE RÉGLAGE DE L'HEURE DU PROGRAMME DE TEST. CELA GARANTIRA QUE, LORSQUE L'INSTALLATEUR MET SOUS TENSION L'UNITÉ, IL SERA TOUJOURS INVITÉ À ENTRER UNE HEURE DE PROGRAMME DE TEST.

REMARQUE :

Le programme de test fonctionnera uniquement en mode AUTO et ne fonctionnera que si cette procédure est effectuée. La date/ heure actuelle devra être réinitialisée à chaque fois que la batterie de 12 volts est débranchée puis rebranchée, et/ou lorsque le fusible est retiré.

Test à basse vitesse

Les unités de 17 et 20 kW fonctionnent à 2 400 tr/mn.

MENUS DE L'INTERFACE DE L'ÉCRAN

L'écran LCD est organisé de la manière indiquée ci-dessous :

- La page « Home » (Accueil), cette page est la page par défaut qui sera affichée si l'on appuie sur aucune touche pendant 30 secondes. Cette page affiche normalement le message d'état actuel et la date et l'heure actuelles. L'alarme et/ou l'avertissement actif de la plus haute priorité sera automatiquement affiché sur cette page ainsi que le rétroéclairage clignotant lorsqu'un tel événement est détecté. En cas d'alarmes ou d'avertissements multiples, seul le premier message sera affiché. Afin d'effacer une alarme ou un avertissement, voir la section Systèmes de protection - Effacer l'alarme.
- Le rétroéclairage de l'écran s'éteint normalement. Si l'utilisateur appuie sur une touche, le rétroéclairage s'allumera automatiquement et restera pendant 30 secondes après avoir appuyé sur la dernière touche.
- La page « Main Menu » (Menu principal) permettra à l'utilisateur de naviguer sur toutes les autres pages ou sous-menus en utilisant les touches Left/Right (Gauche/ droite) et Enter (Entrée). Il est possible d'accéder à cette page à tout moment en appuyant plusieurs fois sur la touche Escape (Échap). À chaque fois que l'on appuie sur la touche Escape (Échap), on revient au menu précédent jusqu'à atteindre le menu principal. Cette page affiche les options suivantes : HISTORY (Historique) ; STATUS (Statut) ; EDIT (Modifier) ; et DEBUG (Débuguer). (voir l'annexe - « Menu du système »).

3.2 FONCTIONNEMENT AUTOMATIQUE DU TRANSFERT

Afin de sélectionner le fonctionnement automatique, effectuer les étapes suivantes :

1. S'assurer que les principaux contacts du commutateur de transfert sont réglés sur leur position UTILITY (Réseau public), c-à-d. les charges branchées à l'alimentation électrique publique (Schéma 3.1).
2. S'assurer que la tension normale de l'alimentation électrique PUBLIQUE est disponible au niveau des cosses N1 et N2 du commutateur de transfert (se reporter à la section Données électriques).
3. Régler l'interrupteur AUTO/OFF/MANUAL (Auto/ arrêt/ manuel) du générateur sur la position AUTO.
4. Régler le disjoncteur principal du générateur sur sa position ON (Marche) (ou CLOSED (fermée)).

Après avoir effectué les étapes précédentes, le générateur démarrera automatiquement lorsque la tension de la source d'alimentation publique chute en dessous d'un niveau prédéfini. Après le démarrage de l'unité, les charges sont transférées sur la source d'alimentation de secours. Se reporter à la section Séquence de fonctionnement automatique.

3.3 SÉQUENCE DE FONCTIONNEMENT AUTOMATIQUE

3.3.1 COUPURE DU RÉSEAU PUBLIC

Conditions initiales : Générateur sur la position Auto, prêt à fonctionner, charge étant alimentée par la source d'alimentation publique. En cas de coupure du réseau public (en dessous de 60 % de la valeur nominale), un délai d'interruption de ligne de 10 secondes débute (programmable facultativement sur les unités de 17 et de 20 kW uniquement). Si la coupure du réseau public persiste lorsque la minuterie expire, le moteur démarrera. Après le démarrage, une minuterie de réchauffage du moteur de cinq (5) secondes débutera. Lorsque la minuterie de réchauffage expire, le contrôle transférera la charge au générateur. Si l'alimentation électrique publique est restaurée (au-dessus de 80 % de la valeur nominale) à tout moment à compter du début du démarrage du moteur jusqu'à ce que le générateur soit prêt à accepter la charge (et que le temps de réchauffage de 5 secondes ne s'est pas écoulé), le contrôleur effectuera le cycle de démarrage et fera fonctionner le générateur à son cycle de refroidissement normal ; cependant, la charge restera sur la source d'alimentation publique.

3.3.2 DÉMARRAGE

Le système contrôlera le démarrage cyclique de la manière suivante : Démarrage de 16 secondes, repos de sept (7) secondes, démarrage de 16 secondes, repos de sept (7) secondes suivi de trois (3) cycles supplémentaires de démarrages de sept (7) secondes suivi de repos de sept (7) secondes.

Fonctionnement de l'étrangleur

1. Les moteurs 990/ 999 cc disposent d'un étrangleur électrique dans la boîte à vent qui est automatiquement commandé par le tableau de contrôle électrique.
2. Les moteurs 530 cc disposent d'un étrangleur électrique dans le tuyau d'admission d'air du panneau de la cloison qui est automatiquement commandé par le tableau de contrôle électrique.
3. Les moteurs 410 cc disposent d'un étrangleur derrière la boîte à vent qui est automatiquement commandé par le tableau de contrôle électrique.

Panne de démarrage

Elle est définie comme l'un des événements suivants survenant pendant le démarrage:

1. N'atteignant pas la mise au repos du démarreur dans le cycle de démarrage déterminé. La mise au repos du démarreur est définie comme quatre (4) cycles à 1 000 RPM.
2. Atteignant la mise au repos du démarreur mais n'atteignant pas 2 200 RPM dans un délai de 15 secondes. Dans ce cas, le tableau de contrôle entrera dans un cycle de repos pendant sept (7) secondes, puis continuera le reste du cycle de démarrage.

Pendant un cycle de repos, les sorties de démarrage et de combustible sont mises hors tension et la sortie de magnéto est court-circuitée vers la mise à la terre.

Conditions de démarrage

Les remarques suivantes s'appliquent pendant le cycle de démarrage.

1. Le moteur du démarreur ne s'engagera pas dans un délai de cinq (5) secondes après l'arrêt du moteur.
2. La sortie de combustible ne sera pas mise sous tension avec le démarreur.
3. Les sorties du démarreur et de la magnéto seront mises sous tension ensemble.
4. Après la mise sous tension du démarreur, le tableau de contrôle commencera à chercher la rotation du moteur. S'il ne voit pas de signal RPM dans un délai de trois (3) secondes, il s'arrêtera et se verrouillera lors de la perte de capteur RPM.
5. Une fois que le tableau de contrôle voit un signal RPM, il mettra sous tension le solénoïde de combustible, ouvrira le papillon et continuera la séquence de démarrage.
6. Le moteur du démarreur se désengagera lorsque la vitesse atteindra la mise au repos du démarreur.
7. Si le générateur n'atteint pas 2 200 RPM dans un délai de 15 secondes, le cycle de redémarrage aura lieu.
8. Si le moteur arrête de tourner entre la mise au repos du démarreur et 2 200 RPM, le tableau entrera en cycle de repos pendant sept (7) secondes, puis redémarrera (en cas de cycles de démarrage supplémentaires).
9. Après le démarrage, le générateur attendra pendant une période de retenue commençant à surveiller la pression d'huile et la température d'huile (se reporter à la section Messages d'alarme pour connaître les périodes de retenue).
10. Pendant le démarrage manuel, si le sélecteur de mode est déplacé sur la position Manual (Manuel), le démarrage s'arrête immédiatement.
11. Pendant le démarrage en mode Auto, si le réseau électrique revient, le cycle de démarrage ne s'interrompt PAS mais continuera jusqu'au bout. Une fois que le moteur démarre, il fonctionnera pendant une (1) minute, puis s'arrêtera.

3.3.3 TRANSFERT DE CHARGE

Pendant le fonctionnement du générateur, le transfert de charge dépend du mode de fonctionnement comme suit :

1. Manuel
 - Ne transférera pas au générateur si le réseau public est présent.
 - Transférera au générateur en cas de coupure du réseau public (en dessous de 65 % de la valeur nominale) pendant 10 secondes consécutives.
 - Transférera à nouveau lorsque le réseau public revient pendant 15 secondes consécutives. Le moteur continuera à fonctionner jusqu'à ce qu'il soit retiré du mode Manual (Manuel).

2. Auto
 - Démarrera et transférera lorsque le réseau public est coupé pendant 10 secondes consécutives.
 - Démarrera une minuterie de réchauffage du moteur de cinq (5) secondes.
 - Ne transférera pas si le réseau public revient par la suite.
 - Transférera au générateur si le réseau public n'est toujours pas présent.
 - Transférera à nouveau au réseau public une fois que le réseau public revient (au-dessus de 75 % de la valeur nominale) pendant 15 secondes.
 - Transférera à nouveau au réseau public si le générateur s'arrête pour quelle que raison que ce soit (tel que lorsque le commutateur est sur la position OFF (Arrêt)) ou une alarme d'arrêt.
 - Après le transfert, le moteur s'arrêtera après un temps de refroidissement d'une (1) minute.
3. Programme de test
 - Ne s'effectuera pas si le générateur fonctionne déjà en mode Auto ou Manual (Manuel).
 - Pendant le programme de test, le contrôleur transférera uniquement en cas de coupure du réseau public pendant le programme de test pendant 10 secondes, et passera en mode Auto.

3.3.4 RESTAURATION DU RÉSEAU PUBLIC

Condition initiale : Générateur alimentant la charge du client. Lorsque le réseau public revient (au-dessus de 80 % de la valeur nominale), un retour de 15 secondes vers le réseau public démarrera. Lorsque cette minuterie expire, si l'alimentation électrique publique est toujours présente et acceptable, le contrôle transférera la charge à nouveau au réseau public et fera fonctionner le moteur pendant une période de refroidissement d'une (1) minute, puis s'arrêtera. En cas de panne du réseau public de trois (3) secondes pendant cette période de refroidissement, le contrôle transférera la charge à nouveau au générateur et continuera à fonctionner en surveillant le retour du réseau public.

3.4 FONCTIONNEMENT MANUEL DU TRANSFERT

3.4.1 TRANSFERT À L'ALIMENTATION ÉLECTRIQUE DU GÉNÉRATEUR

Afin de démarrer le générateur et d'activer le commutateur de transfert manuellement, effectuer les étapes suivantes :

1. Régler l'interrupteur AUTO/OFF/MANUAL (Auto/ arrêt/ manuel) du générateur sur la position OFF (Arrêt).
2. Régler le disjoncteur principal du générateur sur sa position OFF (Arrêt) (ou OPEN (Ouvverte)).
3. Mettre HORS TENSION l'alimentation électrique publique vers le commutateur de transfert à l'aide des moyens fournis (tels que le disjoncteur principal du réseau public).

⚠ DANGER!


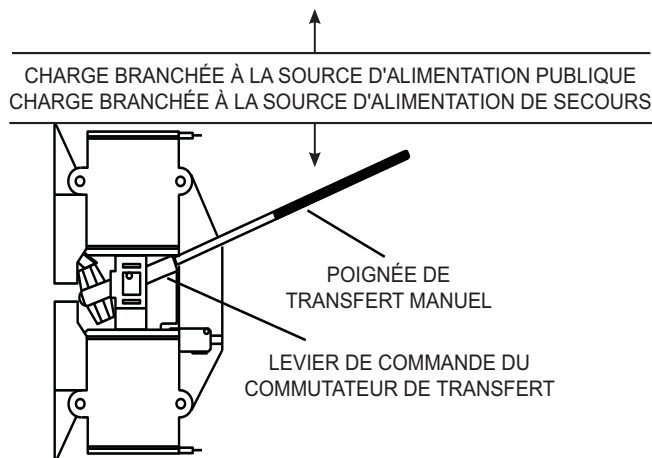
1.  **Ne pas essayer d'activer le commutateur de transfert manuellement tant que toutes les tensions d'alimentation fournies au commutateur de transfert n'ont pas été mises hors tension positivement. Le fait de ne pas mettre hors tension les tensions d'alimentation peut entraîner une électrocution extrêmement dangereuse et potentiellement fatale.**
4. Utiliser la poignée de transfert manuel à l'intérieur du commutateur de transfert afin de mettre les principaux contacts sur leur position STANDBY (Secours), c-à-d. les charges branchées à la source d'alimentation de secours (Schéma 3.3).

Schéma 3.3 – Fonctionnement manuel du commutateur de transfert



5. Afin de démarrer le moteur, régler l'interrupteur AUTO/OFF/MANUAL (Auto/ arrêt/ manuel) sur la position MANUAL (Manuel).
6. Laisser le moteur se stabiliser et chauffer pendant quelques minutes.
7. Régler le disjoncteur principal du générateur sur sa position ON (Marche) (ou CLOSED (fermée)). La source d'alimentation de secours alimente désormais les charges.

3.4.2 TRANSFERT À NOUVEAU À LA SOURCE D'ALIMENTATION PUBLIQUE

Après la restauration de l'alimentation électrique publique, transférer à nouveau à cette source et arrêter le générateur. Pour cela, effectuer les étapes suivantes :

1. Régler le disjoncteur principal du générateur sur sa position OFF (Arrêt) (ou OPEN (ouverte)).
2. Laisser le moteur fonctionner à circuit ouvert pendant une ou deux minute(s) afin que les températures internes se stabilisent.
3. Régler l'interrupteur AUTO/OFF/MANUAL (Auto/ arrêt/ manuel) du générateur sur sa position OFF (Arrêt) (ou OPEN (ouverte)). Le moteur doit s'arrêter.
4. Vérifier si l'alimentation électrique publique vers le commutateur de transfert est hors tension.

⚠ DANGER!

⚠ Ne pas essayer d'activer le commutateur de transfert manuellement tant que toutes les tensions d'alimentation fournies au commutateur de transfert n'ont pas été mises hors tension positivement. Le fait de ne pas mettre hors tension les tensions d'alimentation peut entraîner une électrocution extrêmement dangereuse et potentiellement fatale.

5. Utiliser la poignée de transfert manuel à l'intérieur du commutateur de transfert afin de mettre les principaux contacts sur leur position UTILITY (Réseau public), c-à-d. les charges branchées à la source d'alimentation publique (Schéma 3.2).
6. Mettre SOUS TENSION l'alimentation électrique publique vers le commutateur de transfert à l'aide des moyens fournis.
7. Régler le système en fonctionnement automatique comme indiqué dans la section Fonctionnement automatique du transfert.

3.5 COMPARTIMENT LATÉRAL (SCHÉMAS 3.4 ET 3.5)

Les codes locaux peuvent exiger que ce compartiment soit verrouillé. Un fermoir est fourni afin que le propriétaire puisse sécuriser le compartiment avec son propre cadenas. Vérifier les codes locaux de la région.

3.5.1 DISJONCTEUR PRINCIPAL

Il s'agit d'un disjoncteur bipolaire nominal selon la section Caractéristiques techniques.

3.5.2 TÉMOINS LUMINEUX EXTÉRIEURS « READY » (PRÊT)

- La DEL verte « Ready » (Prêt) est allumée lorsque le réseau public est présent et que le commutateur est sur la position AUTO indiquant que le générateur est prêt, et lorsque le générateur fonctionne.
- La DEL rouge « Alarm » (Alarme) est allumée lorsque le générateur est en position OFF (Arrêt) ou qu'une erreur est détectée. (Voir la section Systèmes de protection.)
- La DEL jaune « Maintenance » (Voir la section Systèmes de protection.)

3.5.3 PRISE DDFT DE 120 VCA ET DISJONCTEUR DE 15 A (16, 17 ET 20 KW UNIQUEMENT)

Ces modèles sont équipés d'une prise DDFT externe de 15 A, 120 volts, qui est située dans un compartiment sur le côté droit du générateur (Schéma 1.3).

Lorsque le générateur fonctionne, en l'absence d'alimentation électrique publique, cette prise peut également être utilisée pour alimenter les éléments à l'extérieur de votre domicile tels que les lumières et les outils électriques. Cette prise peut également être utilisée lorsque l'alimentation électrique publique est présente en faisant fonctionner le générateur en mode Manuel (Manuel). Cette prise ne fournit pas d'alimentation si le générateur ne fonctionne pas. Cette prise est protégée par un disjoncteur de 15 A dans le même compartiment que la prise. (Ne pas utiliser lorsque le générateur fonctionne en mode de programme de test.)

Schéma 3.4 – Compartiment latéral



Schéma 3.5 – Compartiment latéral ouvert

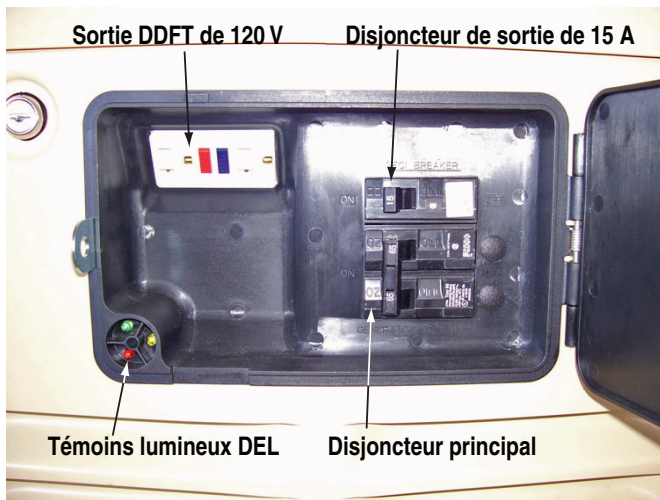
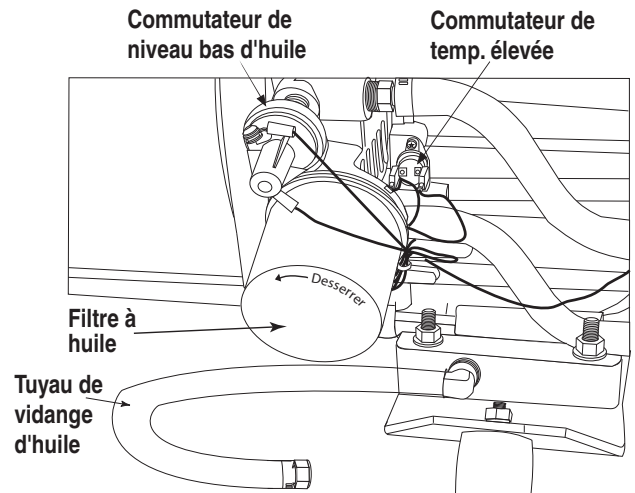


Schéma 3.6 – Commutateurs de pression d'huile basse et de température élevée



3.6 SYSTÈMES DE PROTECTION

3.6.1 ALARMES

La plus haute priorité (verrouillage) affichée sur le panneau de commande et la DEL externe rouge. Elles doivent être effacées avant que le message d'alarme ne disparaisse. Le journal d'alarmes enregistre chaque événement (voir Annexe - « Menu du système »).

Pression d'huile basse (Alarme d'arrêt)

Un délai de cinq (5) secondes lors du démarrage et un délai de sept (7) secondes une fois que le moteur fonctionne.

Ce commutateur (Schéma 3.6) a des contacts normalement fermés qui sont maintenus ouverts par la pression d'huile du moteur pendant le fonctionnement. Si la pression d'huile chute en dessous de la plage de cinq (5) livres par pouce carré, les contacts du commutateur se ferment et le moteur s'arrête. L'unité ne doit pas être redémarrée tant que le niveau d'huile n'est pas vérifié.

Température élevée du moteur (Alarme d'arrêt – réinitialisation auto)

Un délai de 10 secondes lors du démarrage et un délai d'une (1) seconde avant l'arrêt. Effectuer une réinitialisation automatique lorsque la condition disparaît, et redémarrer le moteur si un signal de démarrage valide est toujours présent.

Les contacts de ce commutateur (Schéma 3.6) se ferment lorsque la température est supérieure à environ 144 °C (293 °F), entraînant un arrêt du moteur. Une fois que la température d'huile chute à un niveau sûr, les contacts du commutateur s'ouvrent à nouveau.

Démarrage excessif (Alarme d'arrêt)

Cela se produit si le moteur n'a pas démarré dans le cycle de démarrage déterminé. (Voir la section « Démarrage ».)

REMARQUE :

Le tuyau de vidange d'huile peut être acheminé dans le sens opposé comme indiqué dans le schéma.

Survitesse (Alarme d'arrêt)

4 320 RPM pendant trois (3) secondes ou 4 500 RPM immédiatement. Cette fonction protège le générateur des dommages en l'arrêtant s'il fonctionne plus vite que la limite prédéfinie. Cette protection empêche également le générateur d'alimenter une sortie qui pourrait potentiellement endommager les appareils branchés au circuit du générateur. Contacter le dépositaire le plus proche au cas où cette erreur se produit.

Perte de capteur RPM (Alarme d'arrêt)

Lors du démarrage, si le tableau de contrôle ne voit pas de signal RPM valide dans un délai de trois (3) secondes, il s'arrêtera et se verrouillera lors de la perte de capteur RPM. Lorsque le moteur fonctionne, en cas de perte de signal RPM pendant une (1) seconde, le tableau de contrôle arrêtera le moteur, attendra 15 secondes, puis redémarrera le moteur. Si aucun signal RPM n'est détecté dans un délai de trois (3) secondes après le démarrage, le tableau de contrôle arrêtera le moteur et se verrouillera lors de la perte de capteur RPM. En cas de détection du signal RPM, le moteur démarrera et fonctionnera normalement. Si le signal RPM est perdu à nouveau par la suite, le tableau de contrôle fera une autre tentative de redémarrage avant de verrouiller et d'afficher le message d'erreur du capteur RPM.

Sous-fréquence (Alarme d'arrêt)

Après le démarrage, si le générateur reste en sous-fréquence pendant plus de 30 secondes, il s'arrêtera. Le réglage de sous-fréquence est de 50 Hz.

Erreur interne (Alarme d'arrêt)

Il est impossible de supprimer cette alarme. Appeler le dépositaire d'entretien.

Sous-tension (Alarme d'arrêt)

Si la tension du générateur va en dessous de 60 % de la valeur nominale pendant plus de cinq (5) secondes, il s'arrête.

Surtension (Alarme d'arrêt)

Si la tension du générateur va au dessus de 110 % de la valeur nominale pendant plus de trois (3) secondes, une alarme est émise et l'appareil s'éteint.

Si la tension du générateur va au dessus de 130 % de la valeur nominale pendant plus de trois (0,2) secondes, une alarme est émise et l'appareil s'éteint.

Effacer l'alarme

Supprimer l'alarme en réglant l'interrupteur AUTO/OFF/MANUAL (Auto/arrêt/manuel) sur la position OFF (Arrêt). Appuyer sur la touche ENTER (Entrée) afin de déverrouiller toute erreur active et d'effacer le message d'alarme correspondant.

3.6.2 AVERTISSEMENTS

Priorité secondaire (pas de verrouillage) affichée sur le panneau de commande et la DEL externe rouge (unité à deux cylindres uniquement). Les avertissements s'effacent automatiquement lorsque la condition surveillée disparaît. Les avertissements sont enregistrés dans le journal d'alarmes. Les avertissements ne peuvent pas causer d'arrêts.

Batterie faible

Le tableau de contrôle surveille la tension de la batterie et affiche un avertissement si la tension de la batterie chute en dessous de 11,9 volts pendant une (1) minute. L'avertissement est automatiquement effacé si la tension de la batterie augmente au-dessus de 12,4 volts. La tension de la batterie n'est pas surveillée pendant le cycle de démarrage.

Erreur de réglage du programme de test

Si le programme de test devient corrompu, un message d'avertissement s'affichera. Ce message s'effacera uniquement lorsque la période du programme de test sera réinitialisée.

3.6.3 ALERTES DE MAINTENANCE

Priorité tertiaire

Message de maintenance

Lorsqu'une période de maintenance expire, un message d'avertissement s'affichera. Il est possible de réinitialiser l'alerte en appuyant sur la touche Enter (Entrée), ce qui invitera l'utilisateur à confirmer l'action. La réinitialisation effacera l'alerte et réinitialisera les compteurs de maintenance pour toutes les conditions annoncées. Le journal d'historique enregistrera l'alerte. Le compteur de maintenance ne s'accumulera pas sans l'alimentation de la batterie. Une fois que l'alimentation de la batterie est restaurée, l'invite de temps déterminé s'affichera. Les compteurs de maintenance seront réglés selon la nouvelle heure et la nouvelle date.

REMARQUE :

Étant donné que les alertes de maintenance ne se produiront pas en même temps (la plupart ont deux (2) ans d'intervalle), une alerte s'affichera à la fois. Une fois que la première alerte est effacée, l'alerte active suivante s'affichera.

4.1 FUSIBLE

Le fusible de 7,5 A sur le panneau de commande protège le circuit de contrôle CC contre la surcharge (Schémas 3.1 et 3.2). Ce fusible est câblé en série avec le fil de sortie de la batterie au panneau. Si ce fusible a fondu, le moteur sera dans l'incapacité de tourner ou de démarrer. Remplacer ce fusible uniquement par un fusible de 7,5 A identique de rechange. Lorsque le fusible est retiré ou remplacé, il faut réinitialiser le programme de test.

4.2 VÉRIFICATION DU NIVEAU D'HUILE DU MOTEUR

Pour connaître les capacités d'huile, voir la section Caractéristiques techniques. Pour connaître les recommandations en matière d'huile de moteur, voir la section Recommandations d'huile de moteur.

Lorsque les coupures de courant nécessitent de faire fonctionner le générateur pendant des périodes prolongées, il faut vérifier le niveau d'huile quotidiennement.

Pour vérifier le niveau d'huile de moteur, effectuer les étapes suivantes (Schémas 4.1, 4.2 et 4.3) :

1. Si le générateur fonctionne pendant une coupure de courant, mettre d'abord HORS TENSION toutes les charges associées fonctionnant dans la résidence. Ensuite, régler le disjoncteur principal du générateur sur sa position OFF (Arrêt).
2. Régler l'interrupteur AUTO/OFF/MANUAL (Auto/arrêt/manuel) sur la position OFF (Arrêt).
3. Retirer la jauge d'huile et l'essuyer avec un chiffon propre.
4. Insérer complètement la jauge d'huile ; puis, la retirer à nouveau. Le niveau d'huile doit être à la marque « Full » (Plein) dans la jauge d'huile. Si nécessaire, ajouter de l'huile jusqu'à la marque « Full » (Plein) uniquement. NE PAS REMPLIR AU-DESSUS DE LA MARQUE FULL (PLEIN).
5. Installer la jauge d'huile.
6. Régler l'interrupteur AUTO/OFF/MANUAL (Auto/arrêt/manuel) sur sa position d'origine.
7. Si le générateur fonctionnait pendant une coupure de courant, remettre d'abord le disjoncteur principal du générateur sur la position ON (Marche). Ensuite, mettre SOUS TENSION les charges nécessaires dans la résidence.

▲ ATTENTION!

▲ **Ne jamais faire fonctionner le moteur avec le niveau d'huile en dessous de la marque « Add » (Ajouter) sur la jauge d'huile. Cette action endommagerait le moteur.**

Schéma 4.1 — Jauge et remplissage d'huile, 8 kW

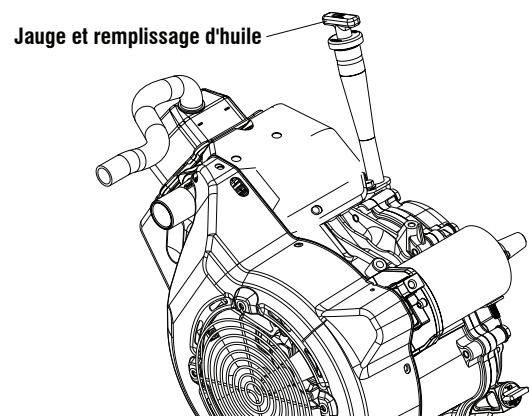
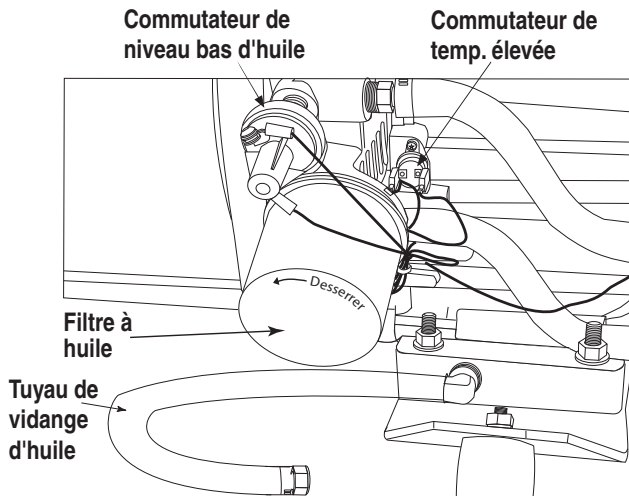


Schéma 4.4 – Tuyau de vidange d'huile et filtre



4.4 CHANGEMENT DU FILTRE À AIR DU MOTEUR

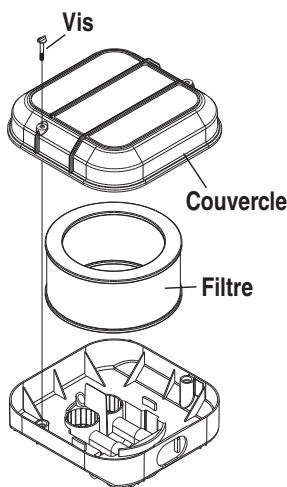
4.4.1 GÉNÉRATEURS DE 13, 14, 16, 17 ET 20 KW

Voir la section « Le générateur » pour connaître l'emplacement du filtre à air. Effectuer les procédures suivantes (Schéma 4.5) :

1. Soulever le toit et retirer la porte.
2. Tourner les deux vis dans le sens inverse des aiguilles d'une montre pour desserrer.
3. Retirer le couvercle et le filtre à air.
4. Essuyer la poussière ou les débris de l'intérieur de la boîte à vent et sur les bords.
5. Installer le nouveau filtre à air dans la boîte à vent.
6. Installer le couvercle. Tourner les deux vis du couvercle dans le sens des aiguilles d'une montre pour serrer.

Voir la section Calendrier d'entretien pour connaître la maintenance du filtre à air. Voir la section Caractéristiques techniques pour connaître la référence des pièces de rechange du filtre à air.

Schéma 4.5 — Filtre à air du moteur de 13, 14, 16, 17 et 20 kW



4.4.2 GÉNÉRATEURS DE 10 KW

Voir la section « Le générateur » pour connaître l'emplacement du filtre à air. Suivre les procédures suivantes (Schéma 4.6) :

1. Soulever le toit et retirer la porte.
2. Tourner la vis de serrage de l'engrenage à vis sans fin dans le sens inverse des aiguilles d'une montre pour desserrer.
3. Retirer l'ancien filtre du moyeu du panneau de la cloison.
4. Essuyer la poussière ou les débris du moyeu du panneau.
5. Installer le nouveau filtre à air sur le moyeu.
6. Tourner la vis de serrage de l'engrenage à vis sans fin dans le sens des aiguilles d'une montre pour serrer.
7. Remettre en place la porte et le toit.

Schéma 4.6 — Filtre à air du moteur de 10 kW

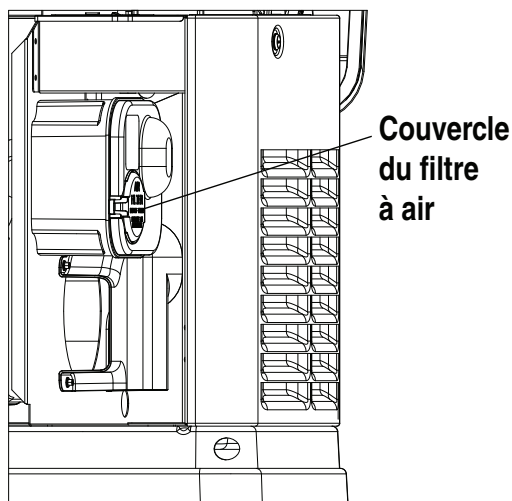


4.4.3 GÉNÉRATEUR DE 8 KW

Voir la section « Le générateur » pour connaître l'emplacement de la boîte à vent. Suivre les procédures suivantes pour remplacer le filtre à air sale dans la boîte à vent (Schéma 4.7).

1. Soulever le toit et retirer la porte.
2. Repousser le loquet de la porte d'accès jaune du filtre à air pour ouvrir.
3. Retirer l'ancien filtre à air et le jeter si nécessaire.
4. Installer le nouveau filtre, ouvrir l'extrémité en premier dans la boîte à vent.
5. Ouvrir la porte jaune et la fermer d'un coup.
6. Remettre la porte en place et fermer fermement le toit.

Schéma 4.7 — Emplacement du filtre à air du moteur de 8 kW

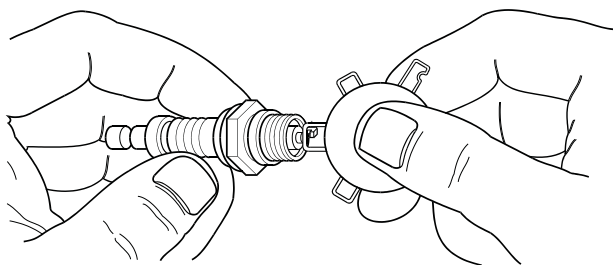


4.5 BOUGIE(S) D'ALLUMAGE

Corriger le réglage de l'écartement de la (des) bougie(s) d'allumage ou remplacer la (les) bougie(s) d'allumage si nécessaire. Voir la section Calendrier d'entretien pour connaître les exigences relatives à la maintenance.

1. Nettoyer la zone autour de la base de la (des) bougie(s) d'allumage pour éliminer la poussière ou les débris du moteur.
2. Retirer la (les) bougie(s) d'allumage et vérifier son (leur) état. Remplacer la (les) bougie(s) d'allumage si elle(s) est (sont) usée(s) ou en cas de doute sur son (leur) réutilisation. Voir la section Calendrier d'entretien pour connaître l'inspection recommandée. Nettoyer en grattant ou en lavant à l'aide d'une brosse métallique et d'un solvant du commerce. Ne pas faire sauter la (les) bougie(s) d'allumage pour la (les) nettoyer.
3. Vérifier l'écartement de bougie d'allumage à l'aide d'une jauge d'épaisseur à fils. Régler l'écartement à 0,76 mm (0,030 pouce) pour 8, 10 et 20 kW ; et à 1,02 mm (0,040 pouce) pour 13, 14, 16 et 17 kW en pliant soigneusement l'électrode de masse (Schéma 4.8).

Schéma 4.8 – Réglage de l'écartement de bougie d'allumage



4.6 ENTRETIEN DE LA BATTERIE

Il faut inspecter la batterie conformément à la section « Calendrier d'entretien » Il faut suivre la procédure suivante pour effectuer l'inspection :

1. Vérifier si les bornes et les câbles de la batterie sont étanches et s'ils ne présentent pas de signe de corrosion. Serrer et nettoyer si nécessaire.
2. Vérifier le niveau de fluide de batterie des batteries non scellées et, si nécessaire, remplir avec de l'eau distillée uniquement. Ne pas mettre d'eau du robinet dans les batteries.
3. Vérifier l'état de charge et l'état général. Cela doit être effectué à l'aide d'un densimètre de type automobile.

⚠ DANGER!

⚠ Ne pas jeter la batterie dans un feu. La batterie pourrait exploser.

⚠ Une batterie présente un risque d'électrocution et un courant de court-circuit élevé. Il faut prendre les précautions suivantes lors du travail sur les batteries :

- Retirer le fusible de 7,5 A à partir du panneau de commande du générateur.
- Retirer les montres, bagues et autres objets en métal ;
- Utiliser des outils avec des poignées isolées ;
- Porter des gants et des chaussures en caoutchouc ;
- Ne pas poser d'outils ou de pièces métalliques sur la batterie ; et
- Débrancher la source de chargement avant de brancher ou de débrancher les bornes de batterie.

⚠ AVERTISSEMENT!

⚠ Ne pas ouvrir ou mutiler la batterie. L'électrolyte libéré s'est avéré être nocif pour la peau et les yeux, et également toxique.

⚠ L'électrolyte est un acide sulfurique dilué qui est nocif pour la peau et les yeux. Il est électriquement conducteur et corrosif. Il faut respecter les procédures suivantes :

- Porter des lunettes et des vêtements de protection ;
- Lorsque l'électrolyte entre en contact avec la peau, laver immédiatement avec de l'eau ;
- Lorsque l'électrolyte entre en contact avec les yeux, rincer complètement et immédiatement avec de l'eau et consulter un médecin ; et
- L'électrolyte renversé doit être lavé avec un agent neutralisant acide. Une pratique courante consiste à utiliser une solution de 1 livre (500 grammes) de bicarbonate de soude dans 1 gallon (4 litres) d'eau. Il faut ajouter du bicarbonate de soude jusqu'à ce que la preuve de la réaction (moussage) ait cessé. Il faut rincer le liquide résultant avec de l'eau et sécher la zone.

⚠ Les batteries au plomb présentent un risque d'incendie étant donné qu'elles produisent du gaz hydrogène. Il faut suivre les procédures suivantes :

- **NE PAS FUMER à proximité de la batterie ;**
- **NE PAS provoquer de flammes ou d'étincelles dans la batterie ; et**
- **Décharger l'électricité statique du corps avant de toucher la batterie en touchant d'abord une surface métallique mise à la terre.**

⚠ S'assurer que l'interrupteur AUTO/OFF/MANUEL (AUTO/ ARRÊT/ MANUEL) est réglé sur la position OFF (Arrêt) avant de brancher les câbles de batterie. Si l'interrupteur est réglé sur la position AUTO ou MANUEL (Manuel), le générateur peut démarrer dès que les câbles de batterie sont branchés.

⚠ S'assurer que l'alimentation électrique publique soit hors tension et que le fusible de 7,5 A soit retiré du panneau de commande du générateur ou qu'une décharge disruptive ne se produise pas au niveau des bornes de batterie où les câbles sont fixés et cause une explosion.

4.7 RÉGLAGE DU JEU DES SOUPAPES GH-410/GT-530/990/999

Après les six (6) premiers mois de fonctionnement, vérifier le jeu des soupapes dans le moteur et l'ajuster si cela est nécessaire.

IMPORTANT : Si vous n'êtes pas sûr de vous pour effectuer cette procédure ou si les outils ne sont pas disponibles, veuillez contacter le dépositaire pour obtenir de l'aide pour l'entretien. Il s'agit d'une étape très importante pour garantir la meilleure durée de vie du moteur.

Pour vérifier le jeu des soupapes :

- Le moteur doit être froid avant la vérification. Si le jeu des soupapes est de 0,002 po. - 0,004 po. (0,05 - 0,1 mm), aucun réglage n'est pas nécessaire.
- Retirer les fils de bougie et les placer loin des bougies.
- Retirer les bougies d'allumage.
- S'assurer que le piston est au Point Mort Haut (PMH) de sa course de compression (les deux soupapes fermées). Pour mettre le piston au PMH, retirer la grille d'entrée devant le moteur afin d'accéder à l'écrou de blocage du volant. Utiliser une grande douille et une clé à pipe pour tourner l'écrou, et donc le moteur, dans le sens des aiguilles d'une montre. En même temps, observer le piston par le trou de la bougie d'allumage. Le piston doit monter et descendre. Le piston est au PMH lorsqu'il est à son plus haut point de course.

Afin de régler le jeu des soupapes (si nécessaire), (Schéma 4.9) :

- S'assurer que la température du moteur est située entre 60 et 80 °F.
- S'assurer que le fil de bougie est débranché de la bougie d'allumage et ne gêne pas.
- Enlever les quatre vis retenant le coin de la soupape.
- Desserrer l'écrou de blocage du culbuteur. Utiliser une clé hexagonale de 10 mm pour faire tourner l'axe de l'articulation à rotule tout en vérifiant le jeu entre le culbuteur et la tige de soupape avec un calibre d'épaisseur. Le jeu correct est de 0,002-0,004 pouces (0,05-0,1 mm).

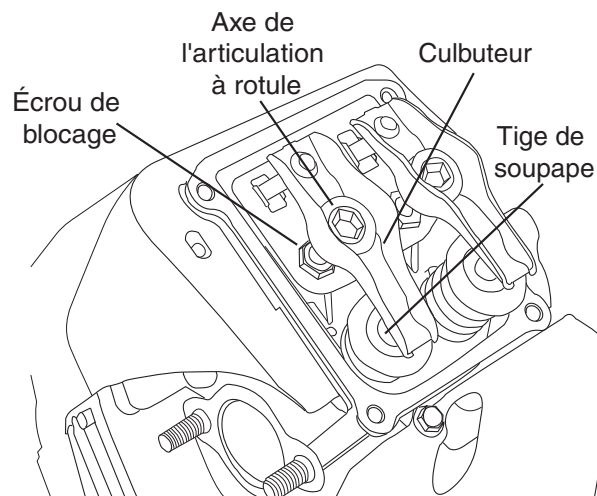
REMARQUE :

Tenir l'écrou de blocage du culbuteur en place pendant que l'on fait tourner l'axe de l'articulation à rotule.

Lorsque le jeu des soupapes est correct, maintenir l'axe de l'articulation à rotule en place à l'aide de la clé hexagonale et resserrer l'écrou de blocage du culbuteur. Serrer l'écrou de blocage à un couple de 174 pouces-livres. Après avoir resserré l'écrou de blocage, revérifier le jeu des soupapes pour s'assurer qu'il n'a pas changé.

- Installer le nouveau joint de couvercle de soupape.
- Replacer le couvercle de soupape.

Schéma 4.9 — Réglage du jeu des soupapes



REMARQUE :

Commencer à visser les quatre vis avant de les resserrer toutes, sinon il sera impossible de mettre toutes les vis. S'assurer que le joint du couvercle de soupape est en place.

- Installer les bougies d'allumage.
- Rebrancher le fil de bougie à la bougie d'allumage.
- Sur le GT-530 et le GT-990/999, répéter la procédure pour l'autre cylindre.

4.8 SYSTÈME DE REFROIDISSEMENT

Les orifices d'entrée et de sortie d'air du compartiment du générateur doivent être ouverts et non obstrués pour un bon fonctionnement continu. Cela inclut les obstructions telles que les herbes hautes, les mauvaises herbes, la brosse, les feuilles et la neige.

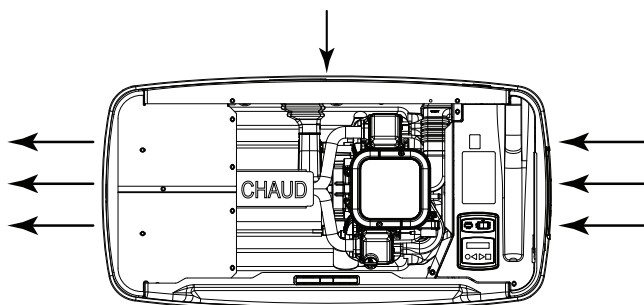
Sans débit d'air de refroidissement et de ventilation suffisant, le moteur/générateur surchauffe rapidement, ce qui l'arrête rapidement. (Voir Schéma 4.10 pour connaître l'emplacement des événements.)

S'assurer que les portes et le toit sont en place pendant le fonctionnement étant donné que le fonctionnement du générateur avec ces éléments retirés peut provoquer un mouvement de l'air de refroidissement.

⚠ AVERTISSEMENT!

⚠ L'échappement de ce produit est extrêmement chaud et reste chaud après l'arrêt. Il ne doit pas y avoir de hautes herbes, de mauvaises herbes, de brosse, de feuilles, etc. dans l'échappement. Ces matières peuvent enflammer et brûler en raison de la chaleur du système d'échappement.

Schéma 4.10 — Emplacements des événements de refroidissement



4.9 PRÉCAUTION APRÈS IMMERSION

Si le générateur a été immergé dans l'eau, il **NE FAUT PAS** le démarrer et le faire fonctionner. Après toute immersion dans l'eau, un dépositaire doit nettoyer, sécher et inspecter le générateur. Si la structure (ex. : maison) a été inondée, il faut le faire inspecter par un électricien agréé afin de s'assurer qu'il n'y aura pas de problème électrique pendant le fonctionnement du générateur ou lorsque le courant revient.

4.10 PROTECTION CONTRE LA CORROSION

Laver et cirer régulièrement l'enveloppe à l'aide de produits de type automobile. Un lavage fréquent est recommandé dans les régions côtières/ où de l'eau de mer est présente. Vaporiser les tringleries avec une huile légère telle que WD-40.

4.11 PROCÉDURE DE MISE HORS SERVICE

4.11.1 MISE HORS SERVICE

Si le générateur ne peut pas subir un programme de test tous les sept jours et s'il est hors service pendant plus de 90 jours, préparer le générateur au stockage de la manière suivante :

1. Démarrer le générateur et le laisser chauffer.
2. Fermer la soupape d'arrêt dans le tuyau de conduite de combustible et attendre que l'unité s'arrête.
3. Après l'arrêt de l'unité, régler sur la position OFF (Arrêt).
4. Régler le disjoncteur principal du générateur sur sa position OFF (Arrêt) (ou OPEN (ouverte)).
5. Régler l'interrupteur AUTO/OFF/MANUAL (Auto/ arrêt/ manuel) sur la position OFF (Arrêt) et mettre hors tension l'alimentation électrique publique vers le commutateur de transfert. Retirer le fusible de 7,5 A à partir du panneau de commande du générateur. Débrancher les câbles de batterie comme indiqué dans la section « Dangers généraux ».

6. Alors que le moteur est encore chaud, vider entièrement l'huile. Remplir à nouveau le carter d'huile. Voir la section « Recommandations d'huile de moteur ».
7. Apposer une étiquette sur le moteur indiquant la viscosité et la classification de l'huile présente dans le carter.
8. Retirer la (les) bougie(s) d'allumage et vaporiser un agent de fumigation dans les orifices filetés de la (des) bougie(s) d'allumage. Réinstaller et serrer la (les) bougie(s) d'allumage.
9. Retirer la batterie et la stocker dans une pièce fraîche et sèche sur une planche en bois. Ne jamais stocker la batterie sur un sol en béton ou en terre.
10. Nettoyer entièrement le générateur.

4.11.2 REMISE EN SERVICE

Afin de remettre l'unité en service après le stockage, procéder de la manière suivante :

1. Vérifier si l'alimentation électrique publique est hors tension et si l'interrupteur AUTO/OFF/MANUAL (Auto/ arrêt/ manuel) est réglé sur la position OFF (Arrêt).
2. Vérifier l'étiquette apposée sur le moteur indiquant la viscosité et la classification de l'huile. Vérifier si la bonne huile recommandée est utilisée dans le moteur (voir la section Recommandations d'huile de moteur). Si nécessaire, vider et remplir à nouveau d'huile propre.
3. Vérifier l'état de la batterie. Remplir tous les éléments des batteries non scellées au bon niveau avec de l'eau distillée. **NE PAS METTRE D'EAU DU ROBINET DANS LA BATTERIE.** Recharger la batterie jusqu'à 100 pour cent d'état de charge ou, si elle est défectueuse, la remplacer. Voir la section « Caractéristiques techniques » pour connaître le type et la taille.
4. Nettoyer entièrement le générateur.
5. S'assurer que le fusible de 7,5 A est retiré du panneau de commande du générateur. Rebrancher la batterie. Respecter la polarité de la batterie. Des dommages peuvent se produire si la batterie n'est pas branchée correctement.
6. Ouvrir la soupape d'arrêt.
7. Insérer le fusible de 7,5 A dans le panneau de commande du générateur. Démarrer l'unité en réglant l'interrupteur AUTO/OFF/MANUAL (Auto/ arrêt/ manuel) sur la position MANUAL (Manuel). Laisser l'unité chauffer complètement.
8. Arrêter l'unité en réglant l'interrupteur AUTO/OFF/MANUAL (Auto/ arrêt/ manuel) sur la position OFF (Arrêt).
9. Mettre **SOUS TENSION** l'alimentation électrique publique vers le commutateur de transfert.
10. Régler l'interrupteur AUTO/OFF/MANUAL (Auto/ arrêt/ manuel) sur la position AUTO.
11. Le générateur est désormais prêt à fonctionner.

REMARQUE :

Si la batterie est épuisée ou débranchée, il faut réinitialiser le programme de test, la date et l'heure actuels.

4.11.3 ACCESSOIRES

Des accessoires améliorant la performance sont disponibles pour les générateurs refroidis à l'air.

- **Les kits par temps froid** sont recommandés dans les zones où les températures chutent régulièrement en dessous de 10 °F (- 12 °C).
- **Des kits de maintenance planifiée** incluent toutes les pièces nécessaires pour effectuer la maintenance sur le générateur en fonction des recommandations d'huile.
- **Le verrouillage du commutateur de transfert auxiliaire** permet à tout commutateur de transfert de verrouiller complètement une grande charge électrique en se fixant à son système de contrôle.
- **Un emballage d'embase de blindage de fascia** est standard sur toutes les unités de 20 kW. Il est disponible pour toutes les autres unités refroidis à l'air produites actuellement. Il se ferme pour offrir une apparence lisse et façonnée ainsi qu'une protection contre les rongeurs/insectes.
- **Le système de surveillance à distance** est une boîte sans fil montée à l'intérieur qui indique l'état de marche du générateur et permet d'effectuer un programme de test ainsi que fournir des rappels de maintenance.
- **Les kits de retouche de peinture** sont très importants pour entretenir l'apparence et l'intégrité de l'enveloppe du générateur. Ces kits incluent une retouche de peinture ainsi que des instructions si nécessaire.

Pour plus d'informations sur les accessoires, veuillez contacter un dépositaire.

4.12 CALENDRIER D'ENTRETIEN

ATTENTION : Il est recommandé que toute tâche d'entretien soit effectuée par le dépositaire le plus proche.

SYSTÈME/ COMPOSANT	PROCÉDURE			FRÉQUENCE
	Inspecter	Changer	Nettoyer	
X = Action R = Remplacer si nécessaire * = Informer le dépositaire si la réparation est nécessaire.				H = Hebdomadaire M = Mensuel A = Annuel
COMBUSTIBLE				
Conduites et raccords de combustible*	X			M
LUBRIFICATION				
Niveau d'huile	X			M ou 24 heures de fonctionnement continu.
Huile		X		2 A ou 200 heures de fonctionnement.**
Filtre à huile		X		2 A ou 200 heures de fonctionnement.**
REFROIDISSEMENT				
Fentes de l'enveloppe	X		X	H
BATTERIE				
Éliminer la corrosion, s'assurer qu'elle est sèche	X		X	M
Nettoyer et serrer les bornes de la batterie	X		X	M
Vérifier l'état de charge	X	R		TOUS LES 6 M
Niveau d'électrolyte	X	R		TOUS LES 6 M
MOTEUR ET FIXATION				
Filtre à air	X	R		2 A ou 200 heures
Bougie(s) d'allumage	X	R		2 A ou 200 heures
ÉTAT GÉNÉRAL				
Vibration, bruit, fuite, température*	X			M
EFFECTUER UNE MISE AU POINT*	À EFFECTUER PAR UN DÉPOSITAIRE			2 A ou 200 heures
* Contacter le dépositaire le plus proche pour obtenir de l'aide si nécessaire.				
** Changer l'huile et le filtre après les huit (8) premières heures de fonctionnement et toutes les 200 heures par la suite, ou 2 ans, le premier événement prévalant. Changer dès que possible lors du fonctionnement sous une charge lourde ou dans un environnement rempli de poussières ou de saletés ou à des hautes températures ambiantes.				

5.1 GUIDE DE DÉPANNAGE

Problème	Cause	Correction
Le moteur ne tournera pas.	<ol style="list-style-type: none"> Fusible sauté. Câbles de batterie desserrés, rouillés ou défectueux. Contacteur du démarreur défectueux. (8 kW) Contacteur du moteur défectueux. Batterie épuisée. 	<ol style="list-style-type: none"> Corriger l'état du court-circuit, remplacer le fusible de 7,5 A dans le panneau de commande du générateur. Serrer, nettoyer ou remplacer si nécessaire. * * Charger ou remplacer la batterie.
Le moteur tourne mais ne démarrera pas.	<ol style="list-style-type: none"> Plus de carburant. Soupape de carburant défectueuse. Ouvrir le fil n° 14 à partir du tableau de contrôle du moteur. Bougie(s) d'allumage encrassée(s) Jeu des soupapes en dehors du réglage. Étrangleur qui ne fonctionne pas. 	<ol style="list-style-type: none"> Remettre du carburant/ Mettre sous tension la vanne de combustible. * * Nettoyer, écarter à nouveau ou remplacer la (les) bougie(s). Corriger le réglage du jeu des soupapes. Vérifier si la plaque de l'étrangleur bouge librement.
Le moteur démarre brusquement et connaît des défaillances.	<ol style="list-style-type: none"> Filter à air bouché ou endommagé. Bougie(s) d'allumage encrassée(s) Pression de carburant incorrecte. Sélecteur de carburant dans la mauvaise position. L'étrangleur reste fermé. 	<ol style="list-style-type: none"> Vérifier, remplacer le filtre à air. Nettoyer, écarter à nouveau ou remplacer la (les) bougie(s). Vérifier si la pression de carburant vers le régulateur est d'une colonne d'eau de 10-12 po. (0,36-0,43 livres par pouce carré) pour le PL, et d'une colonne d'eau de 5-7 po. (0,18-0,25 livres par pouce carré) pour le gaz naturel. Mettre le sélecteur dans la bonne position. Vérifier si la plaque de l'étrangleur bouge librement.
L'interrupteur AUTO/OFF/MANUAL (Auto/ arrêt/ manuel) est réglé sur la position OFF (Arrêt) mais le moteur continue de fonctionner.	<ol style="list-style-type: none"> Interrupteur défectueux. Interrupteur AUTO/OFF/MANUAL (Auto/ arrêt/ manuel) mal câblé. Tableau de contrôle défectueux. 	<ol style="list-style-type: none"> * * *
Il n'y a aucune sortie CA à partir du générateur.	<ol style="list-style-type: none"> Le disjoncteur principal du réseau public est sur la position OFF (Arrêt) (ou OPEN (Ouverte)). Défaillance interne du générateur. 	<ol style="list-style-type: none"> Corriger le réglage du disjoncteur sur la position ON (Marche) (ou CLOSED (Fermée)). *
Il n'y a aucun transfert vers le secours après le réseau public. coupure de la source d'alimentation.	<ol style="list-style-type: none"> Bobine du commutateur de transfert défectueuse. Relais de transfert défectueux. Circuit du transfert de relais ouvert. Tableau de contrôle logique défectueux. 	<ol style="list-style-type: none"> * * * *
L'unité consomme de grandes quantités d'huile.	<ol style="list-style-type: none"> Moteur trop rempli d'huile. Type ou viscosité inapproprié(e) d'huile. Joint ou tuyau endommagé. Reniflard du moteur défectueux. 	<ol style="list-style-type: none"> Régler l'huile au bon niveau. Voir la section « Recommandations d'huile de moteur ». Vérifier s'il y a des fuites d'huile. *

6.1 NAVIGATION DANS LE MENU DU SYSTÈME

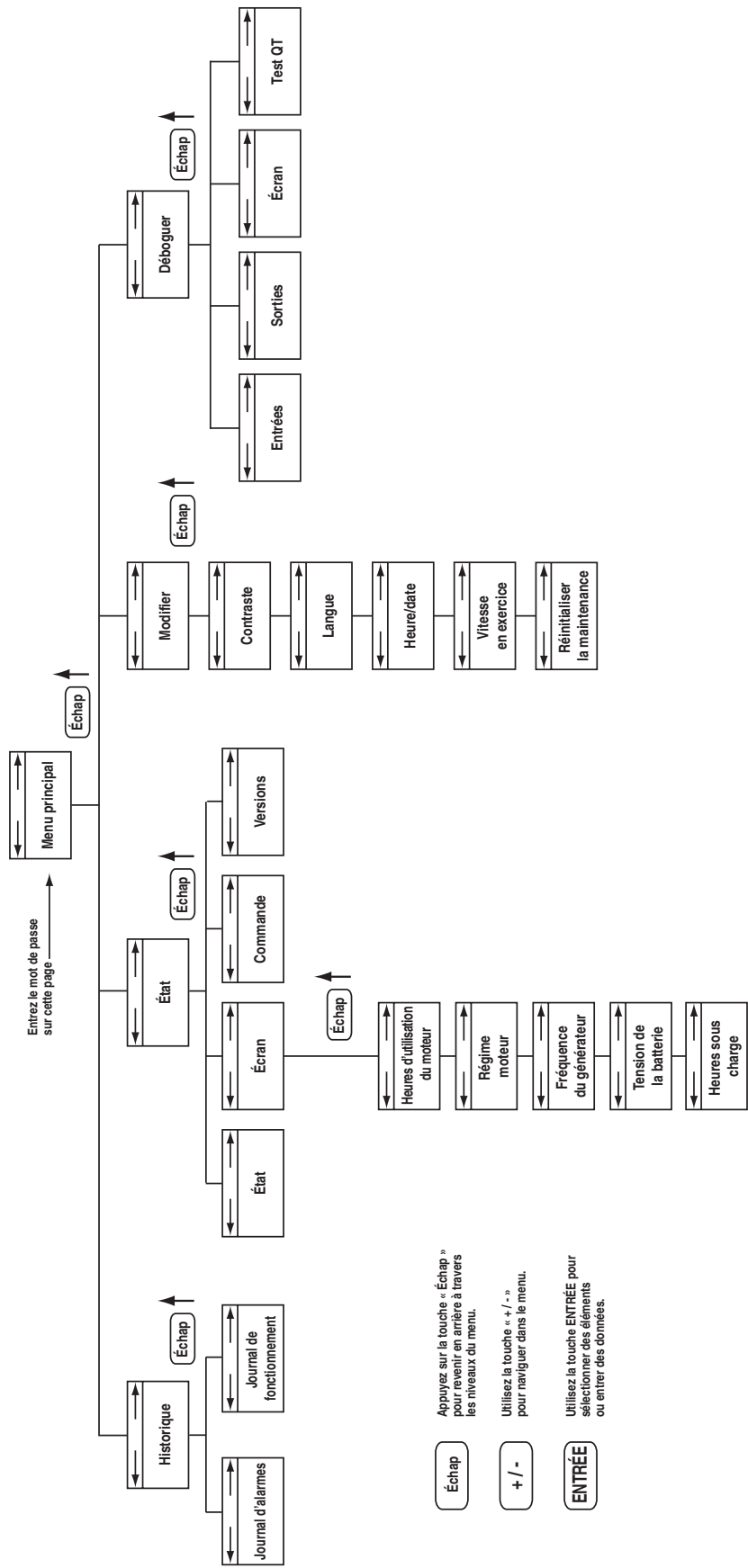
Pour aller au MENU, appuyer sur la touche « Esc » (Échap) à partir de n'importe quelle page. Il peut être nécessaire d'appuyer plusieurs fois sur la touche avant d'atteindre la page de menu. Le menu sélectionné actuellement s'affiche comme un mot clignotant. Naviguer vers le menu concerné à l'aide des touches +/- . Lorsque le menu concerné clignote, appuyer sur la touche ENTER (Entrée). Selon le menu sélectionné, il peut y avoir une liste de choix présentée. Utiliser la même méthode de navigation pour sélectionner l'écran souhaité (se reporter au diagramme Menu du système).

6.1.1 MODIFICATION DES PARAMÈTRES (MENU EDIT (MODIFIER))

Afin de modifier un paramètre tel que le contraste d'affichage, aller au menu EDIT (Modifier) et utiliser les touches +/- pour naviguer vers le paramètre à modifier. Une fois que ce paramètre s'affiche (ex. : contraste), appuyer sur la touche ENTER (Entrée) pour entrer dans le mode EDIT (modifier). Utiliser les touches +/- pour modifier le paramètre, appuyer sur la touche ENTER (Entrée) pour stocker le nouveau paramètre.

REMARQUE :

Si on n'appuie pas sur la touche ENTER (Entrée) pour enregistrer le nouveau paramètre, il sera seulement enregistré temporairement. La prochaine fois que la batterie est débranchée, le paramètre reviendra à l'ancien paramètre.



POUR LES GÉNÉRATEURS DE 10 KW ET MOINS

ÉNONCÉ DE LA GARANTIE FÉDÉRALE DU CONTRÔLE DES ÉMISSIONS VOS DROITS ET OBLIGATIONS DE GARANTIE

L'Agence pour la Protection de l'Environnement américaine (ci-après dénommée EPA) et la société Generac Power Systems, Inc. (ci-après dénommée Generac) sont heureux de vous expliquer ce qu'est la garantie de votre nouvel équipement 2008 et ultérieur. Le nouvel équipement utilise des petits moteurs à allumage commandé doivent être conçus, construits et équipés dans le respect des normes nationales rigoureuses en matière de pollution pour le gouvernement fédéral. Generac garantira le système de contrôle des émissions de votre générateur pour les périodes indiquées ci-après, en l'absence d'acte abusif, de négligence, de modification non approuvée ou de maintenance inadaptée de votre équipement.

Votre système de contrôle des émissions pourra comprendre certaines pièces telles que : le carburateur, le système d'allumage, le système de carburant, le pot catalytique et les autres composants relatifs aux émissions (le cas échéant).

COUVERTURE DE GARANTIE DU FABRICANT :

Ce système de contrôle des émissions est garanti pendant une durée de deux ans. Si un composant ou système de votre équipement relatif aux émissions comporte une pièce défectueuse ou présente un défaut de fabrication pendant la durée de la garantie, les réparations ou remplacements de pièces seront effectués par un dépositaire d'entretien de garantie agréé par Generac.

RESPONSABILITÉS DE GARANTIE DU PROPRIÉTAIRE :

En tant que propriétaire du générateur, vous êtes responsable de la réalisation de toute la maintenance nécessaire telle que listée dans le manuel d'entretien qui vous a été remis par l'usine. Aux fins de la garantie, Generac vous recommande de conserver tous les reçus relatifs à la maintenance effectuée sur votre générateur, mais Generac ne peut pas refuser la garantie uniquement en raison de la non-présentation des reçus.

En tant que propriétaire du générateur, vous devez cependant savoir que Generac pourra refuser tout et / ou partie de la couverture de la garantie ou de la responsabilité si votre générateur et / ou toute pièce de celui-ci ne fonctionne plus du fait d'un usage abusif, d'une négligence, d'une mauvaise maintenance ou de modifications non approuvées, ou de l'utilisation de pièces contrefaites et / ou provenant de l'économie souterraine n'ayant pas été fabriquées, fournies ou approuvées par Generac.

Vous êtes chargé de contacter un dépositaire de garantie agréé par Generac dès qu'un problème se présente. Les réparations effectuées dans le cadre de la garantie devront être faites dans une période raisonnable, inférieure à 30 jours.

Le service de garantie peut être organisé en contactant votre dépositaire ou un dépositaire de service de garantie agréé par Generac. Pour connaître le dépositaire de service de garantie agréé par Generac situé le plus près, appeler notre numéro gratuit :

1-800-333-1322

REMARQUE IMPORTANTE : Cet énoncé de garantie explique vos droits et obligations dans le cadre de la garantie du Système de Contrôle des Émissions (garantie du SCE) qui vous est fournie par Generac conformément au droit de l'État fédéral. Consulter également les « Garanties limitées de Generac pour Generac Power Systems, Inc. » jointes au présent document sur un feuillet séparé, qui vous est également remis par Generac. Veuillez noter que la présente garantie ne s'applique pas aux dommages accessoires, importants ou indirects causés par des défaillances matérielles ou de fabrication, ou par tout retard de réparation ou de remplacement de la ou des pièce(s) défectueuses. La présente garantie remplace toutes les autres garanties, implicites ou explicites. En particulier, Generac n'émet aucune garantie de conformité ou d'usage pour un objectif particulier. Certains états ne permettent pas de poser une limite à la durée de la garantie implicite, la limite susmentionnée ne s'applique donc pas à ces derniers.

La garantie du SCE ne s'applique qu'au système de contrôle des émissions de votre nouvel équipement. En cas de conflit au niveau des termes de la présente garantie du SCE et de la garantie Generac, la garantie de Generac prévaudra. Les garanties du SCE et de Generac décrivent les droits et obligations importantes relatives à votre nouvel équipement.

Le service de garantie ne peut être réalisé que par une entreprise de service agréée par Generac. En cas de demande du service de garantie, des preuves mentionnant la date de vente à l'acquéreur / au propriétaire d'origine doivent être présentées.

Pour toute question concernant vos droits et responsabilités de garantie, merci de contacter Generac à l'adresse suivante :

**ATTENTION WARRANTY DEPARTMENT
GENERAC POWER SYSTEMS, INC.
P.O. BOX 297 • WHITEWATER, WI 53190**

GARANTIE DU SYSTÈME DE CONTRÔLE DES ÉMISSIONS

Garantie du Système de Contrôle des Émissions (garantie du SCE) pour l'équipement utilisant de petits moteurs à allumage commandé :

- (a) Applicabilité : La présente garantie s'applique à l'équipement qui utilise de petits moteurs hors route. La période de la garantie du SCE commencera à la date d'achat / de livraison du nouvel équipement à son acquéreur / propriétaire d'origine, final, et durera pendant les 24 mois suivant ladite date.
- (b) Couverture de la garantie générale des émissions : Generac garantit à l'acquéreur / au propriétaire d'origine, final, du nouveau moteur ou équipement et à chacun des acquéreurs / propriétaires suivant que lorsqu'il est installé le SCE :
- (1) Est conçu, construit et équipé dans le respect de toutes les réglementations applicables ; et
 - (2) Ne comporte aucune pièce défectueuse ni ne présente aucun défaut de fabrication à tout moment de la période de garantie du SCE.
- (c) La garantie sur les pièces relatives aux émissions sera interprétée de la façon suivante :
- (1) Toute pièce garantie, dont le remplacement n'est pas prévu au cours des maintenances obligatoires mentionnées dans le Manuel d'entretien sera garantie pour toute la durée de la Garantie du SCE. Si l'une de ces pièces devient défectueuse pendant la durée de la Garantie du SCE, elle sera réparée ou remplacée par Generac conformément au paragraphe (4) qui suit. Ces pièces réparées ou remplacées dans le cadre de la Garantie du SCE seront garanties pour le reste de la durée de la Garantie du SCE.
 - (2) Toute pièce garantie dont il est prévu une inspection régulière dans le Manuel d'entretien sera garantie pendant toute la durée de la Garantie du SCE. Toute déclaration contenue dans le Manuel d'entretien et relative à l'effet de « réparation ou remplacement si nécessaire » ne réduira pas la durée de la Garantie du SCE. Ces pièces réparées ou remplacées dans le cadre de la Garantie du SCE seront garanties pour le reste de la durée de la Garantie du SCE.
 - (3) Toute pièce garantie, dont le remplacement est pas prévu au cours des maintenances obligatoires mentionnées dans le Manuel d'entretien sera garantie pour la période précédant la date du premier remplacement prévu. Si la pièce devient défectueuse avant le premier remplacement prévu, elle sera réparée ou remplacée par Generac, conformément au paragraphe (4) qui suit. Ces pièces relatives aux émissions réparées ou remplacées dans le cadre de la Garantie du SCE seront garanties pour le reste de la durée précédant la date de leur premier remplacement prévu.
 - (4) La réparation ou le remplacement de toute pièce relative aux émissions et garantie dans le cadre de la Garantie du SCE sera réalisé sans frais pour le propriétaire dans un service de garantie agréé par Generac.
 - (5) Nonobstant les dispositions de la sous-section (4) ci-dessus, les services ou réparations sous garantie doivent être effectués aux centres d'entretien agréés Generac.
 - (6) Si le moteur est inspecté par un service de garantie agréé par Generac, les frais de diagnostic ne seront pas à la charge de l'acquéreur / du propriétaire si la réparation entre dans le cadre de la garantie.
 - (7) Generac est tenu, pendant la durée de la Garantie du SCE, de conserver un stock de pièces relatives aux émissions et garanties suffisant afin de répondre à la demande desdites pièces.
 - (8) Toute pièce de rechange relative aux émissions agréée et approuvée par Generac pourra être utilisée pour la réalisation de toute maintenance ou réparation effectuée dans le cadre de la garantie du SCE et sera fournie sans frais à la charge de l'acquéreur / du propriétaire. Cette utilisation ne réduira pas les obligations de Generac dans le cadre de la Garantie du SCE.
 - (9) Toute pièce non approuvée, ajoutée, modifiée, contrefaite et / provenant de l'économie souterraine ne pourra pas être utilisée afin de modifier ou de réparer un moteur Generac. L'utilisation de telles pièces annule la Garantie du SCE et constituera un motif suffisant pour rejeter toute demande de bénéfice de la Garantie du SCE. Generac ne sera pas responsable des défaillances des pièces garanties d'un équipement Generac dues à l'utilisation de pièces non approuvées, ajoutées, modifiées contrefaites et / ou provenant de l'économie souterraine.

LES PIÈCES RELATIVES AUX ÉMISSIONS PEUVENT INCLURE CE QUI SUIT (LE CAS ÉCHÉANT) :

- | | |
|---|---|
| <ol style="list-style-type: none"> 1) SYSTÈME DE DOSAGE DU CARBURANT <ol style="list-style-type: none"> A. CARBURATEUR ET PIÈCES INTERNES B. RÉGULATEUR DE PRESSION 2) SYSTÈME D'INDUCTION D'AIR <ol style="list-style-type: none"> A. COLLECTEUR D'ADMISSION B. FILTRE À AIR 3) SYSTÈME D'ALLUMAGE <ol style="list-style-type: none"> A. BOUGIES D'ALLUMAGE B. BOBINES / MODULE D'ALLUMAGE | <ol style="list-style-type: none"> 4) SYSTÈME D'INJECTION D'AIR <ol style="list-style-type: none"> A. VANNE À IMPULSION D'AIR 5) SYSTÈME D'ÉCHAPPEMENT <ol style="list-style-type: none"> A. CATALYSEUR B. RÉACTEUR THERMIQUE C. COLLECTEUR D'ÉCHAPPEMENT |
|---|---|

2ème partie

POUR LES GÉNÉRATEURS DE 13 KW ET PLUS

Énoncé de garantie de l'Agence américaine pour la Protection de l'Environnement

Droits, obligations et couverture de garantie

L'Agence pour la Protection de l'Environnement américaine (ci-après dénommée EPA) et la société Generac Power Systems, Inc. (ci-après dénommée Generac) sont heureux de vous expliquer la garantie du système de contrôle des émissions de votre nouveau moteur stationnaire d'urgence. Si au cours de la période de garantie, tout système de contrôle des émissions ou d'un composant de votre moteur est jugé défectueux en matériaux ou de fabrication, Generac réparera votre moteur sans aucun frais pour vous pour le diagnostic, les pièces de rechange et le travail à condition qu'il soit effectué par une facilité de garantie agréé par Generac Service. Votre système de contrôle des émissions peut inclure des pièces telles que le dosage du carburant, l'allumage et les systèmes d'échappement et d'autres composants d'émission connexes énumérés ci-dessous. Generac garantira le système de contrôle des émissions de vos moteurs de 2009 et plus récents en l'absence d'acte abusif, de négligence, de modification non approuvée ou de maintenance inadaptée de votre moteur. Pour les moteurs à moins de 130 HP, la période de garantie est de deux ans à compter de la date de vente à l'acheteur final. Pour les moteurs \leq à 130 CV, la période de garantie est de trois ans à compter de la date de mise en service du moteur.

Responsabilités de garantie de l'acquéreur/du propriétaire

En qualité d'acquéreur/propriétaire du moteur, vous êtes responsable des éléments suivants : 1.) Le moteur doit être installé et configuré conformément aux spécifications d'installation de Generac. 2.) Les exigences d'entretien figurant dans votre manuel d'entretien doivent être respectées. 3.) Tout ajustement d'un réglage du moteur doit être fait conformément et en accord avec les instructions dans le manuel d'entretien. 4.) Tout système ou composant de contrôle des émissions doit être entretenu et exploité de manière appropriée afin d'assurer le bon fonctionnement du moteur et une réduction des émissions par le système de contrôle à tout moment.

Generac pourra refuser tout et / ou partie de la couverture de la garantie ou de la responsabilité du système de contrôle des émissions de votre moteur, ou d'un système de contrôle des émissions ou d'un composant de votre moteur s'il ne fonctionne plus du fait d'un usage abusif, d'une négligence, d'une mauvaise maintenance ou de modifications non approuvées, ou de l'utilisation de pièces contrefaites et / ou provenant de l'économie souterraine n'ayant pas été fabriquées, fournies ou approuvées par Generac. Une session de service de garantie / maintenance planifiée peut être organisée en contactant votre concessionnaire ou un service de garantie agréé par Generac, 888-GENERAC (888-436-3722) ou www.genera.com pour connaître le concessionnaire le plus proche. L'acquéreur / le propriétaire est responsable des dépenses ou autres frais engagés pour des appels de service et / ou le transport du produit vers / depuis les sites d'inspection ou de réparation. L'acheteur / le propriétaire est responsable d'une partie ou de tous les dommages ou pertes subis pendant le transport / l'expédition du moteur à des fins d'inspection ou de réparation sous garantie. Contactez Generac Power Systems Inc. pour des informations supplémentaires sur la garantie du système de contrôle des émissions, Generac Power Systems, Inc. B.P.: 8, Waukesha, WI 53187, Tél : 888-GENERAC (888-436-3722) ou www.genera.com.

Les pièces relatives aux émissions incluent les éléments suivants (si équipé)

- | | |
|---|--|
| 1) Système de dosage du carburant | 3) Système d'allumage avec |
| 1.1) Carburateur d'essence et composants internes | a) Fil de bougie, b) Module d'allumage, |
| a) Filtre à carburant, b) Carburateur, c) Pompe à carburant | c) Bougie d'allumage, d) Câbles de bougie |
| 1.2) Assemblage de carburation et ses composantes | 4) Système d'échappement |
| a) Contrôleur d'alimentation en essence, | a) Montage de catalyseur, b) Collecteur d'échappement, |
| b) Carburateur et joints, c) Mélangeur et ses joints, | c) Pot d'échappement, d) Tuyau d'échappement, |
| d) Régulateur de gaz principal, e) Vaporisateur de liquide | e) Joint du pot d'échappement |
| 1.3) Régulateur de carburant | 5) Reniflard, dont : |
| 2) Système d'induction d'air, dont : | a) Tube de raccordement au reniflard, b) Vanne PCV |
| a) Pipe / collecteur d'admission, b) Filtre à air | 6) Sonde d'oxygène |
| | 7) Système de contrôle d'émission ou de diagnostic |

1ère partie

Exigences de conformité à l'Agence américaine pour la Protection de l'Environnement

Responsabilités d'archivage de l'acquéreur/du propriétaire

L'Agence américaine pour la Protection de l'Environnement et Generac Power Systems, Inc (Generac), sont heureux d'expliquer vos exigences d'archivage pour une conformité avec la section JJJJ – Normes de performance des moteurs à combustion interne stationnaires avec allumage par bougie dont la liste figure dans le « Electronic Code of Federal Regulations » (code électronique des règlements fédéraux), titre 40, partie 60. En qualité d'acquéreur / propriétaire qui exploite et entretient le moteur stationnaire d'urgence certifié et le système de contrôle des émissions conformément aux directives applicables aux émissions, comme spécifié dans ce Manuel d'entretien, vous êtes tenu de respecter les exigences de notification et d'archivage suivantes pour démontrer votre conformité. 1.) Conserver les documents montrant que le moteur est certifié conformément aux normes d'émission. 2.) Conserver les documents relatifs à l'entretien effectué. 3.) Conserver des documents sur la disposition autorisant les moteurs au gaz naturel à fonctionner en utilisant du propane pour un maximum de 100 heures par an en tant que carburant de remplacement uniquement pendant les opérations d'urgence, à condition que le moteur ne soit pas certifié pour fonctionner au propane. 4.) Respecter toutes les notifications de conformité présentées à l'acquéreur / propriétaire et conserver tous les documents justificatifs. 5.) Conserver des documents sur les heures de fonctionnement, y compris ce qui permet de traiter le fonctionnement de fonctionnement d'urgence et le nombre d'heures consacrées au fonctionnement dans les conditions normales. Pour les moteurs d'urgence \leq à 130 HP, l'archivage des heures de fonctionnement commence le 1er janvier 2011. Pour les moteurs d'urgence de moins de 130 HP, l'archivage des heures de fonctionnement commence le 1er janvier, 2009. Les moteurs sont équipés d'un compteur horaire sans réenclenchement pour faciliter l'archivage.

Les diverses régions chargées de la gestion spécifique de la qualité d'air et de contrôle de la pollution atmosphérique peuvent avoir des exigences d'archivage / notification différentes et additionnelles. Votre autorisation de fabriquer et / ou de faire fonctionner le moteur peut être subordonnée au respect de ces exigences. Contacter votre agence locale de gestion spécifique de la qualité d'air et de contrôle de la pollution atmosphérique pour connaître les exigences spécifiques.

Les moteurs stationnaires d'urgence à combustion interne (MCI) peuvent être utilisés aux fins de vérifications d'entretien et d'essais de préparation, à condition que les tests soient recommandés par le gouvernement fédéral, d'État ou local, Generac, ou la compagnie d'assurance associée au moteur. Les vérifications d'entretien et les essais de préparation de ces unités sont limités à 100 heures par an. Aucune limite de temps n'est fixée sur l'utilisation des MCI stationnaires dans des situations d'urgence. L'acquéreur / le propriétaire peut demander une approbation d'heures supplémentaires devant être utilisées pour les vérifications d'entretien et les essais de préparation à l'Administrateur, mais une pétition n'est pas nécessaire si le propriétaire détient des documents indiquant que les normes fédérales, étatiques ou locales exigent une durée d'entretien et de préparation des MCI d'urgence allant au-delà de 100 heures par an. Les MCI stationnaires d'urgence peuvent fonctionner jusqu'à 50 heures par an dans des situations de non-urgence, mais ces 50 heures sont comptées dans les 100 heures par an réservées à l'entretien et aux tests. Les 50 heures par an réservées aux situations non urgentes ne peuvent pas être utilisées pour l'écrêtement des pointes ou pour générer des revenus pour une installation afin d'alimenter un réseau électrique ou toute autre source d'alimentation dans le cadre d'un arrangement financier avec une autre entité. Pour l'acquéreur ou le propriétaire de moteurs d'urgence, toute opération autre que l'opération d'urgence, l'entretien, le test d'essai et le fonctionnement en situations non-urgentes pour 50 heures par an, comme autorisé en vertu du présent article, est interdite.

Si vous utilisez et entretenez votre moteur d'urgence stationnaire à combustion interne SI et vos système de contrôle d'émissions certifiés conformément aux spécifications et directives de ce Manuel d'entretien, l'Agence pour la Protection de l'Environnement (EPA) n'exige pas des tests de performance du moteur. Sinon, votre moteur sera considéré comme non-certifié et vous devez démontrer votre conformité à la section JJJJ – Normes de performance des moteurs à combustion interne stationnaires avec allumage par bougie dont la liste figure dans le « Electronic Code of Federal Regulations » (code électronique des règlements fédéraux), titre 40, partie 60.

Instructions d'installation relatives à l'émission

Votre moteur stationnaire d'urgence certifié dispose de systèmes ou composants de contrôle des émissions pré-configurés qui ne nécessitent aucun ajustement. L'inspection ou le remplacement d'une composante d'émission doit être effectué conformément aux exigences citées dans l'énoncé de garantie de l'Agence américaine pour la protection de l'environnement ou peut se faire en contactant votre concessionnaire, un service de garantie agréé par Generac, 888-GENERAC (888-436-3722) ou www.genera.com pour connaître le concessionnaire le plus proche. Le non-respect de ces instructions lors de l'installation d'un moteur certifié dans une pièce d'équipement hors route viole le droit fédéral 40 CFR 1068.105 (b), et est passible d'amendes ou de sanctions décrites dans la Loi sur l'assainissement de l'air.

