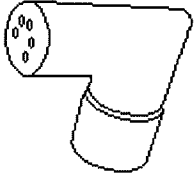
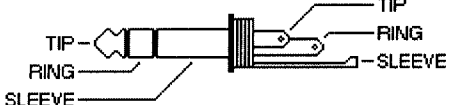

	Jack to Male Balanced XLR	to Male Unbalanced RCA	Male Unbalanced 1/4" (6.3mm) or 3.5mm Jack to Male Stereo 1/4" (6.3mm) or 3.5mm Jack	Male Unb: (6.3mm) or
	Not Common	Female Tonearm Connector to Male Unbalanced RCA	Not Common	Not C

Other Connectors (pin designations):

• **Headphones:**

 <p>Male Stereo 1/4" (6.3mm) or 3.5mm Jack</p>	Pin:	Description:
	Tip	Left channel
	Ring	Right channel
	Sleeve	Ground/shield
Available from our connector range: 1/4" (6.3mm) Jack connectors		
<p>Note: A rule of thumb regarding stereo jack plugs: The Right channel is always at the Ring: I.e. Right = Ring (The plug's configuration being: Tip, Ring, Sleeve). The sleeve of course is always ground/shield: I.e. Sleeve = Shield That leaves the Left channel at the Tip.</p>		

• **S Video:**

 <p>MALE connector solder side view</p>	Pin:	Description:
	1	Ground (Y)
	2	Ground (C)
	3	Y (Luminance = intensity + Sync.)
	4	C (Chrominance = color)
Available from our connector range: <u>S-VHS video connectors</u> <u>SCART adapter</u>		
Available from our A/V cable range: <u>The S-VHS-2-75 video cable</u>		